



**LEOPARD**  
IMAGING

# LI-IMX283-MIPI-133H



**Address:**

910 Auburn Ct  
Fremont, CA 94538  
USA



**Phone:**

+1 (408)263-0988

**Fax:**

+1 (408)217-1960



**Sales:**

[sales@leopardimaging.com](mailto:sales@leopardimaging.com)

**Support:**

[support@leopardimaging.com](mailto:support@leopardimaging.com)

## INTRODUCTION

The LI-IMX283-MIPI-133H is a MIPI CSI-2 camera with Sony image sensor IMX283 which features a color square pixel array and approximately 20.30 M effective pixels. Such sensor ensures high-sensitivity, low dark current, low power consumption and electronic shutter function with variable storage time.

## SPECIFICATIONS

Sensor	Sony Diagonal 15.86 mm (Type 1) CMOS Image Sensor IMX283
Optical Format	1"
Resolution	5496 (H) x 3672 (V) (active pixels)
Pixel Size	2.4 x 2.4 $\mu\text{m}$
Output Format	10-bit / 12-bit Raw data
Maximum Frame Rate	25 fps @ 5496 x 3694
ISP	Not included
Color / Mono	Color
Interface	4-lane MIPI CSI-2
Power Consumption	Approximate 200 mA @ 3.3 VDC
Operating Temp	-10°C ~ +75°C
Storage Temp	-30°C ~ +80°C
Weight	~ 61 g
Part#	LI-IMX283-MIPI-133H

## APPLICATIONS

- IoT
- Drone
- Robots

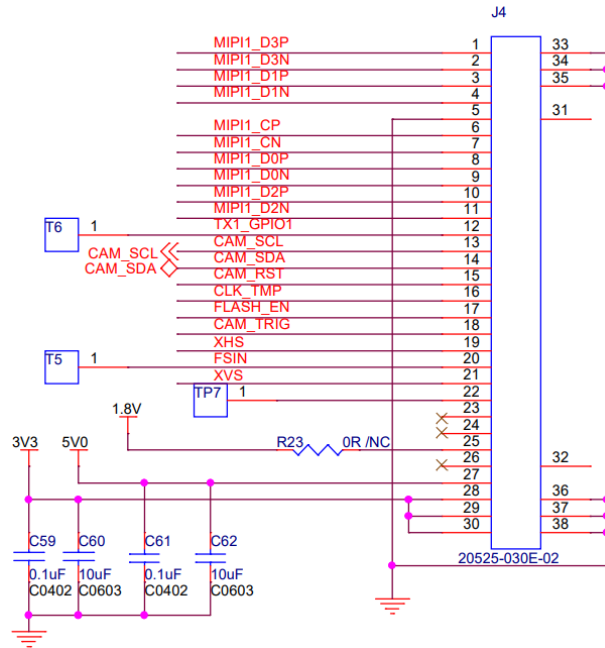
## LENS SPECIFICATIONS

Focal Length	5.9 mm
Aperture, F/#	2.9
Field of View (FOV)	132.9° horizontal
	95.0° vertical
Optical Distortion	0.2%
IR Filter	650 nm IR cut filter
Lens Mount	M20 x P0.5

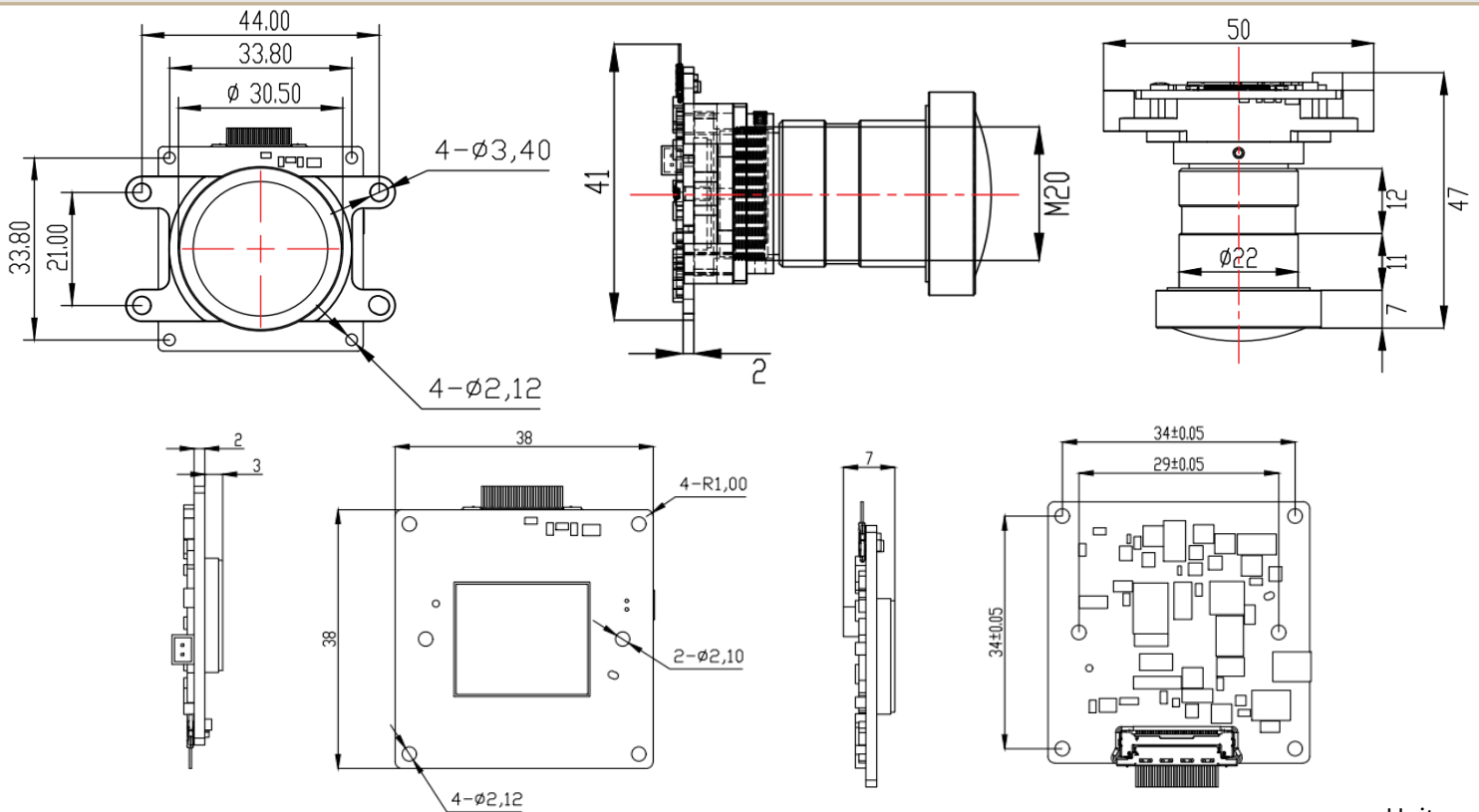


## INTERFACE

- Connector Part#: 20525-030E-02
- Number of Positions: 30
- Pitch: 0.4 mm
- Mating I-PEX cable: FAW-1233-xx
- 27 MHz Oscillator included to supply sensor input clock
- Sensor I2C address: 0x1A (7-bit)
- External power supply: 3.3V
- 2.9V, 1.8V, 1.2V are generated from board
- 5V is not used



## DIMENSIONS



Unit: mm

## ● SOFTWARE SUPPORT

Platforms	Latest Drivers
NVIDIA Jetson Platforms	Please check detailed Jetson driver information: <a href="https://www.leopardimaging.com/driver-support/">https://www.leopardimaging.com/driver-support/</a>
Leopard USB3.0 Tester	The latest firmware will be pre-installed into the USB3.0 Camera Kit

## ● REVISION HISTORY

Revision	Description	Release Date
1.0	First release.	29. Apr. 2021
1.1	Deleted info quoted from sensor spec.	26. May. 2022

910 Auburn Ct, Fremont, CA 94538, USA

Phone: +1 (408)263-0988

Fax: +1 (408)217-1960

Email: [sales@leopardimaging.com](mailto:sales@leopardimaging.com)

Website: [www.leopardimaging.com](http://www.leopardimaging.com)

