



**LEOPARD**  
IMAGING

# LI-IMX267-MIPI



**Address:**

910 Auburn Ct  
Fremont, CA 94538  
USA



**Phone:**

+1 (408)263-0988

**Fax:**

+1 (408)217-1960



**Sales:**

[sales@leopardimaging.com](mailto:sales@leopardimaging.com)

**Support:**

[support@leopardimaging.com](mailto:support@leopardimaging.com)

## INTRODUCTION

The LI-IMX267-MIPI is a global shutter camera with Sony 8.95MP, high sensitivity and low power consumption CMOS Image sensor IMX267 and 30-pin MIPI CSI-2 connector. This camera outputs 4112 x 2176 RAW data.

## KEY FEATURES

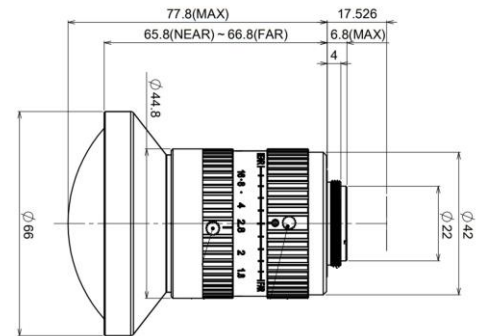
Sensor	Sony diagonal 16.1mm CMOS Image Sensor IMX267LQR
Optical format	1"
Resolution	4112 (H) x 2176 (V)
Pixel size	3.45 x 3.45 $\mu\text{m}$
Data format	RAW data
Color / Mono	Color sensor
Shutter	Global Shutter
Lens	FOV H 95.4° (Optional)
Interface	MIPI CSI-2
Connector	20525-030E-02
Power consumption	TBD
Lens mount	C - Mount
Operating Temp	-30 ~ +75°C
Storage Temp	-40 ~ +85°C
Weight (without lens)	24.5g $\pm$ 1g
Part#	LI-IMX276-MIPI

## APPLICATIONS

- ITS cameras

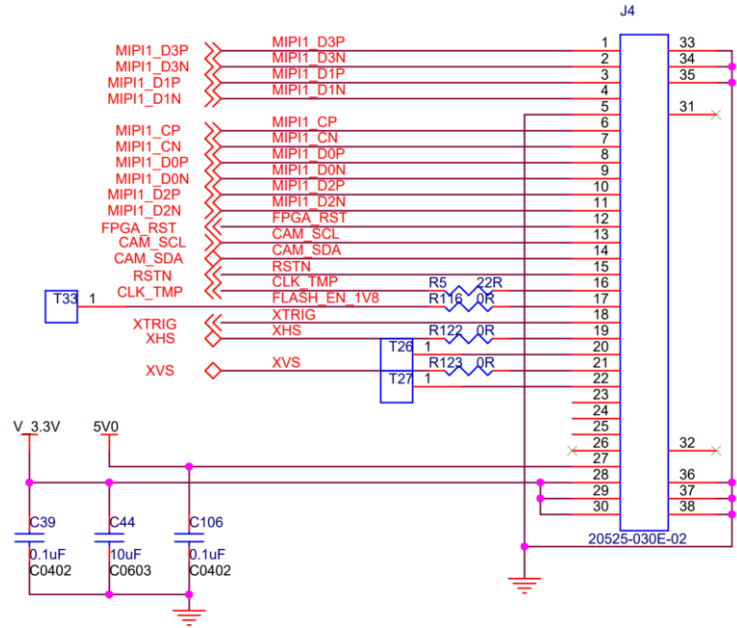
## LENS SPECIFICATIONS (OPTIONAL)

Focal length	6 mm
Aperture, F/#	1.8 ~ 16
FOV (H)	95.4°
TTL	95.3mm
TV Distortion	< 2.3%
Mount	C-Mount

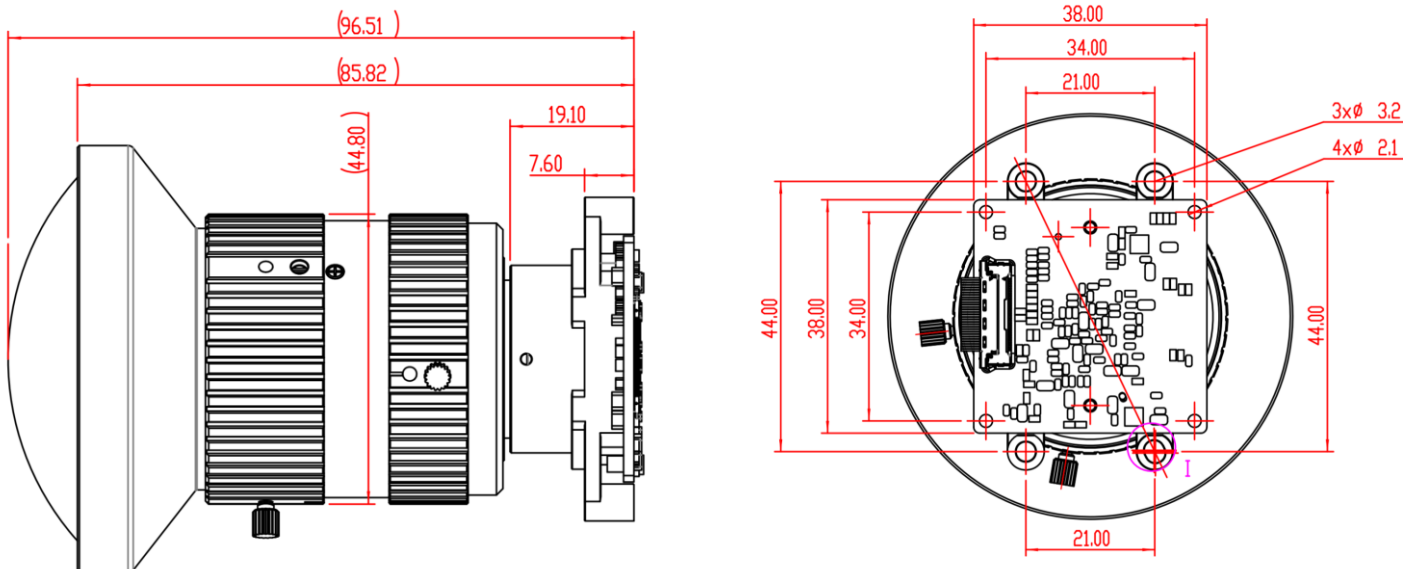


## INTERFACE

- Connector Part#: 20525-030E-02
- Number of Positions: 30
- Pitch: 0.4 mm
- Mating I-PEX cable: FAW1233-03 (300 mm)
- FPGA included to convert LVDS to MIPI
- 37.125 MHz Oscillator included to supply sensor input clock
- Sensor I2C address: 0x10
- External power supply: 5V and 3.3V
- 3.3VA, 1.8V, 1.2V are generated from board



## DIMENSIONS (WITH OPTIONAL LENS)



## ● REVISION HISTORY

Revision	Description	Release Date
1.0	First release.	20. Sep. 2020
1.1	Deleted info quoted from sensor spec.	26. May. 2022
1.2	Deleted lens model info.	24. Jul. 2023

910 Auburn Ct, Fremont, CA 94538, USA

Phone: +1-408-263-0988

Fax: +1-408-217-1960

Email: [sales@leopardimaging.com](mailto:sales@leopardimaging.com)

Website: [www.leopardimaging.com](http://www.leopardimaging.com)

