



LEOPARD
IMAGING

LI-IMX185-MIPI-111H



Address:

910 Auburn Ct
Fremont, CA 94538
USA



Phone:

+1 (408)263-0988

Fax:

+1 (408)217-1960



Sales:

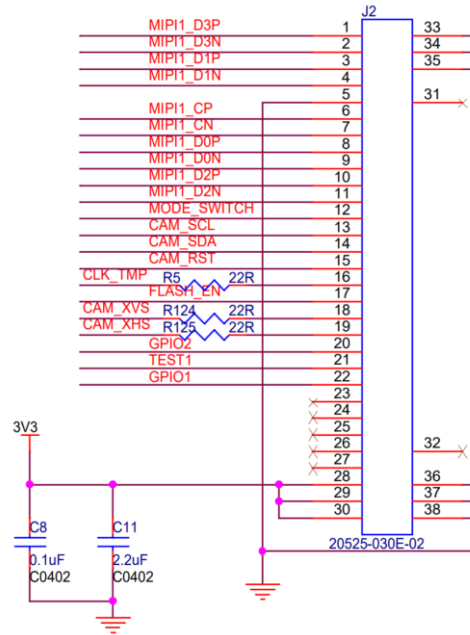
sales@leopardimaging.com

Support:

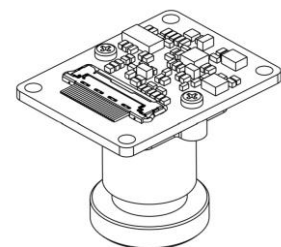
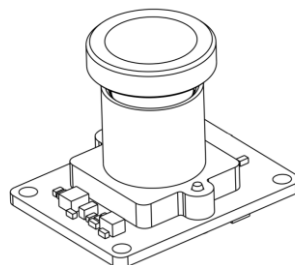
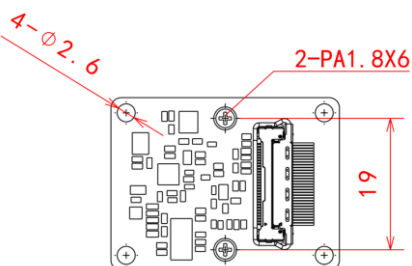
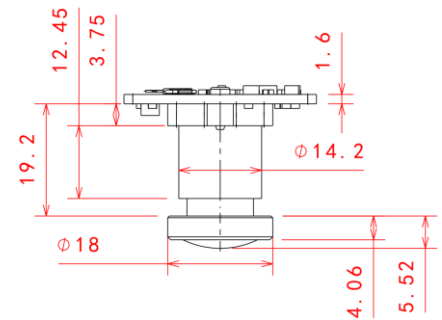
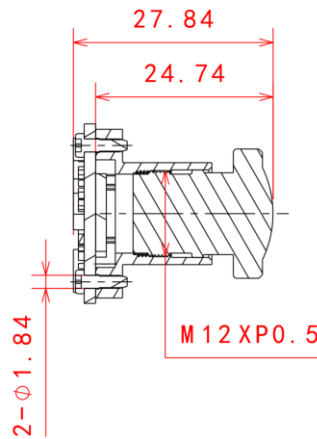
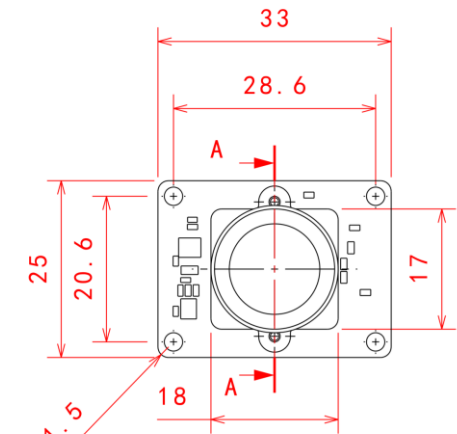
support@leopardimaging.com

INTERFACE

- Connector Part#: 20525-030E-02C
- Number of Positions: 30
- Pitch: 0.4 mm
- Mating I-PEX cable: FAW1233-03 (300 mm)
- Sensor input clock needs to be supplied through J2 connector (Pin16)
- Sensor I2C address: 0x1a (7-bit)
- External power supply: 3.3V
- 3.3VA, 1.8V, 1.2V are generated from board



DIMENSIONS



● REVISION HISTORY

Revision	Description	Release Date
1.0	First release.	04. Oct. 2020
1.1	Deleted info quoted from sensor spec.	26. May. 2022
1.2	Deleted Lens model info.	24. Jul. 2023

910 Auburn Ct, Fremont, CA 94538, USA

Phone: +1-408-263-0988

Fax: +1-408-217-1960

Email: sales@leopardimaging.com

Website: www.leopardimaging.com

