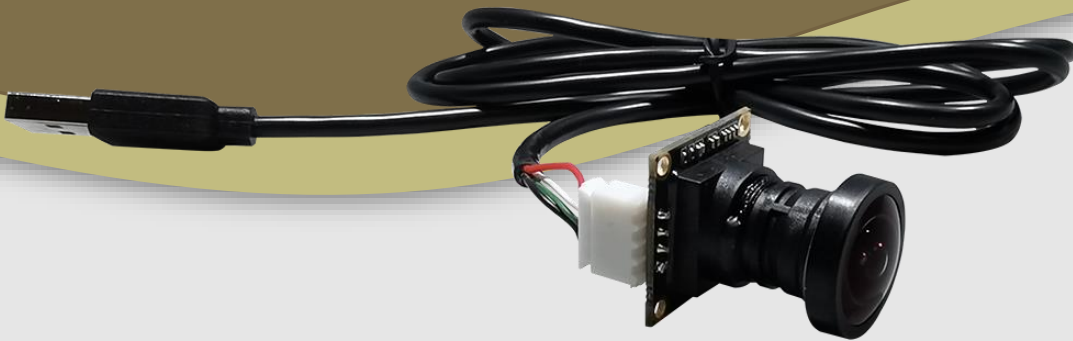




**LEOPARD**  
IMAGING

# LI-IMX179-USB-130H-CONN



**Address:**

910 Auburn Ct  
Fremont, CA 94538  
USA



**Phone:**

+1 (408)263-0988

**Fax:**

+1 (408)217-1960



**Sales:**

[sales@leopardimaging.com](mailto:sales@leopardimaging.com)

**Support:**

[support@leopardimaging.com](mailto:support@leopardimaging.com)

## INTRODUCTION

The LI-IMX179-USB-130H-CONN is a USB camera with Sony CMOS image sensor IMX179 which achieves high sensitivity, low dark current, no smear and low power consumption. This camera outputs MJPEG data.

## KEY FEATURES

Sensor	Sony CMOS Image Sensor IMX179
Optical Format	1/3.2"
Resolution	3280 (H) x 2464 (V) (effective pixels)
Pixel Size	1.4 x 1.4 $\mu\text{m}$
Output Format	MJPEG
Color / Mono	Color sensor
Shutter	Rolling shutter
Interface	USB 2.0
Cable Length	~ 100 cm
Power Consumption	150 mA @ 5 VDC
Operating Temp	-20°C ~ +60°C
Storage Temp	-20°C ~ +60°C
Weight	~ 28 g
Part#	LI-IMX179-USB-130H-CONN

## APPLICATIONS

- Robotics Cameras
- Industrial Cameras

## LENS SPECIFICATIONS

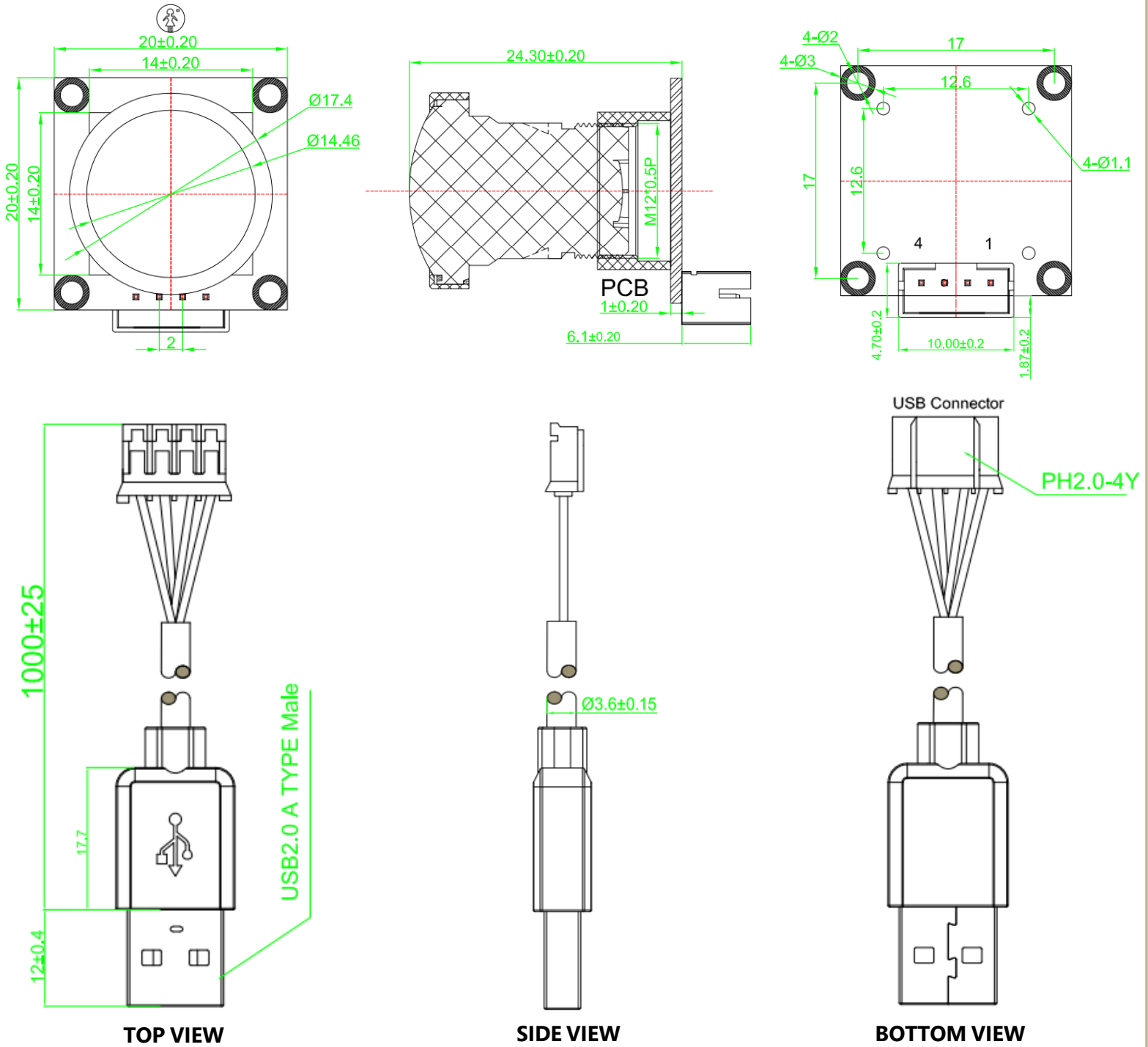
Focusing Range	50 cm to infinity
Focal Length	2.05 mm
Aperture, F/#	2.8
Field of View (FOV)	130° horizontal
TV Distortion	< -40%
Lens Mount	M12 x 0.5P



## ● SPECIFICATION

Video Resolution, Format and Frame Rate	<table><tr><td>320 x 240</td><td>MJPG @ 25 fps (Default)</td></tr><tr><td>640 x 480</td><td>MJPG @ 25fps</td></tr><tr><td>1280 x 720</td><td>MJPG @ 25fps</td></tr><tr><td>1920 x 1080</td><td>MJPG @ 25fps</td></tr><tr><td>2048 x 1536</td><td>MJPG @ 15fps</td></tr><tr><td>2592 x 1944</td><td>MJPG @ 15fps</td></tr><tr><td>3264 x 2448</td><td>MJPG @ 15fps</td></tr></table>	320 x 240	MJPG @ 25 fps (Default)	640 x 480	MJPG @ 25fps	1280 x 720	MJPG @ 25fps	1920 x 1080	MJPG @ 25fps	2048 x 1536	MJPG @ 15fps	2592 x 1944	MJPG @ 15fps	3264 x 2448	MJPG @ 15fps
320 x 240	MJPG @ 25 fps (Default)														
640 x 480	MJPG @ 25fps														
1280 x 720	MJPG @ 25fps														
1920 x 1080	MJPG @ 25fps														
2048 x 1536	MJPG @ 15fps														
2592 x 1944	MJPG @ 15fps														
3264 x 2448	MJPG @ 15fps														
Adjustment	<p>The following can be adjusted manually:</p> <ul style="list-style-type: none"><li>● Brightness</li><li>● Contrast</li><li>● Hue</li><li>● Saturation</li><li>● Sharpness</li><li>● Gamma</li><li>● Backlight Comp</li><li>● Gain</li></ul>														

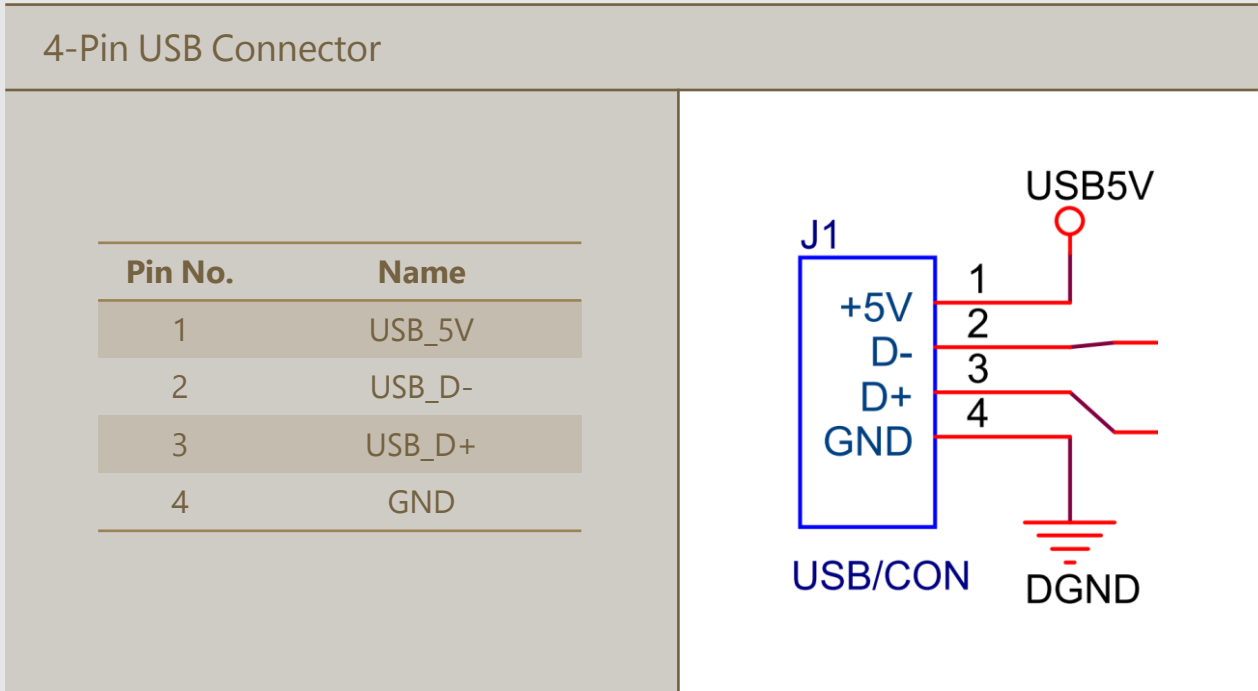
# DIMENSIONS



#	Items	QTY	Description
1	PCB	1	
2	Lens	1	
3	Sensor	1	IMX179
4	DSP	1	SN9C283M
5	Connector	1	4P * 2.0 mm pitch

Unit: mm

● INTERFACE J1



## ● REVISION HISTORY

Revision	Description	Release Date
1.0	First release.	11 Feb 2022

910 Auburn Ct, Fremont, CA 94538, USA

Phone: +1-408-263-0988

Fax: +1-408-217-1960

Email: [sales@leopardimagng.com](mailto:sales@leopardimagng.com)

Website: [www.leopardimaging.com](http://www.leopardimaging.com)

