



LEOPARD
IMAGING

LI-AR0821-MIPI-135H



Address:

910 Auburn Ct
Fremont, CA 94538
USA



Phone:

+1 (408)263-0988

Fax:

+1 (408)217-1960



Sales:

sales@leopardimaging.com

Support:

support@leopardimaging.com

INTRODUCTION

The LI-AR0821-MIPI-135H is a MIPI CSI-2 camera with OnSemi 8.3MP sensor AR0821 which has high sensitivity, High Dynamic Range with low power consumption. This camera outputs 3848 x 2168 RAW data.

KEY FEATURES

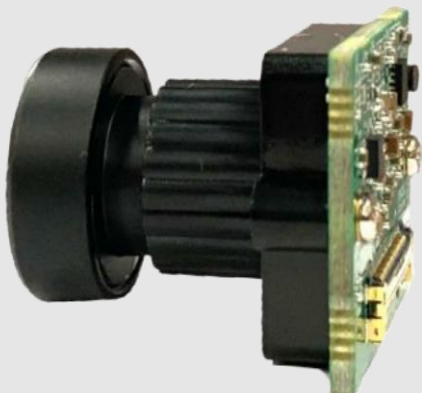
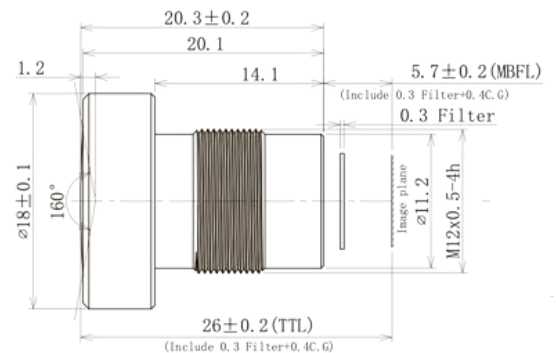
Sensor	OnSemi CMOS Image Sensor AR0821
Optical Format	1/2"
Resolution	3848 (H) x 2168 (V)
Pixel Size	2.1 x 2.1 μ m
Data Format	RAW data
Color / Mono	Color sensor
Master / Slave	Master / Slave mode
Shutter	Rolling Shutter
Lens	FOV H 135°
Interface	4-lane MIPI CSI-2
Connector	20525-030E-02
Power Consumption	756 mW
Lens Mount	M12 - Mount
Operating Temp	-30°C ~ +75°C
Storage Temp	-40°C ~ +85°C
Weight (without lens)	4 g \pm 1 g
Size	26.92 mm x 21.44 mm
Part#	LI-AR0821-MIPI-135H

APPLICATIONS

- Industrial cameras
- Surveillance cameras

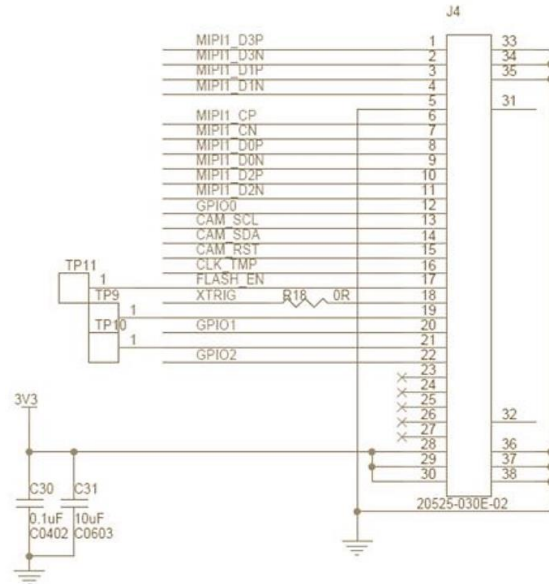
LENS SPECIFICATIONS

Focal length	4.0 mm
Aperture, F/#	2.2
FOV (H)	135°
IR Filter	650nm IR cut filter

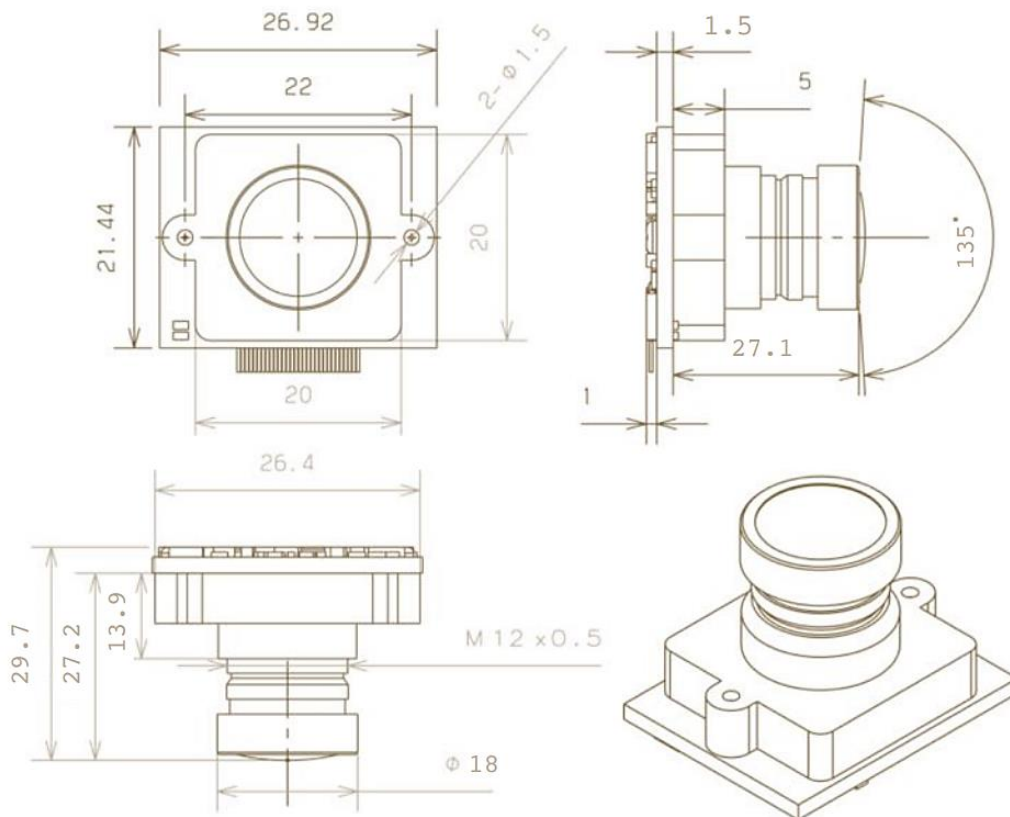


INTERFACE

- Connector Part#: 20525-030E-02
- Number of Positions: 30
- Pitch: 0.4 mm
- Mating I-PEX cable: FAW1233-03 (300 mm)
- Sensor input clock: On board 27MHz
- Sensor I2C address: 0x1c (W) / 0x1d (R)
- External power supply: 3.3V
- 2.8VA, 1.8V, 1.2V are generated from board



DIMENSIONS



USB3.0 CAMERA KIT

LI-USB30-CSLINK-IPX-TESTER



LI-AR0821-MIPI-135H can be connected to LI-USB30-CSLINK-IPX-TESTER as a USB 3.0 camera.

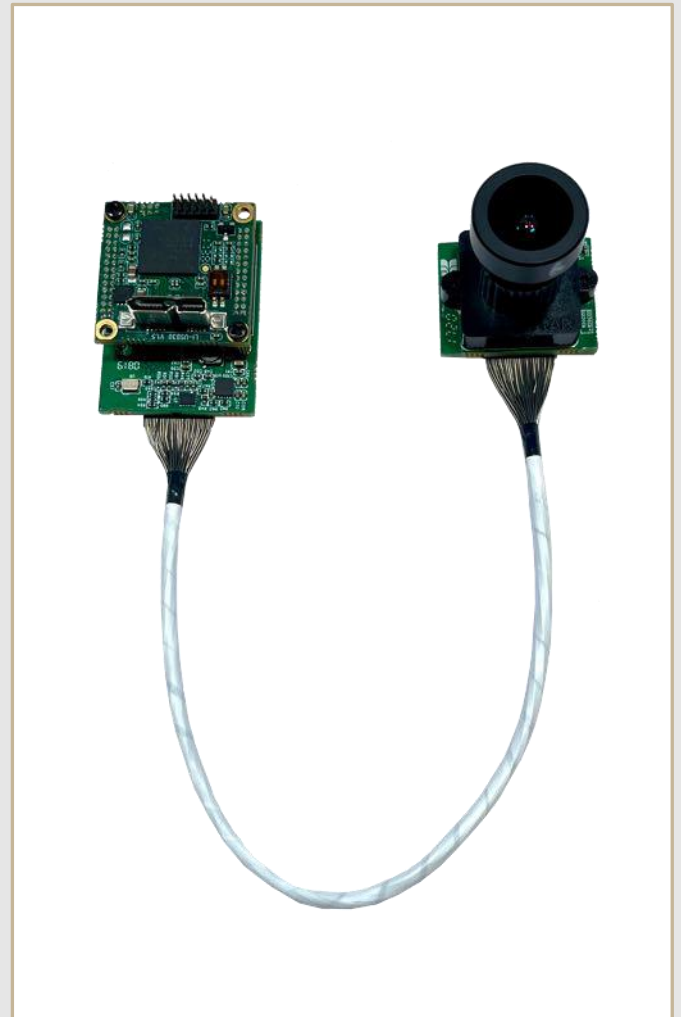
Part#: **LI-USB30-AR0821-MIPI-135H**

KEY FEATURES

- USB 3.0 Super Speed support
- RAW data output without compression
- UVC compliance
- Provide customization services
- Support M12 lens
- Weight: 26g ± 1g
- Resolution: 3848 x 2168 @ 8.8 fps (limited by USB 3.0 speed)
- Resolution: 3840 x 2166 @ 9 fps
- USB +5VDC powered device
- Support Windows, Linux OS and other OS which include the UVC drivers

SDK SUPPORTED

- Camera Tool Source Code in C#
- Capture & Display
- RAW to BMP conversion
- Save file as BMP & RAW format
- Color Matrix
- Register Access Function



- REVISION HISTORY

Revision	Description	Release Date
1.0	First release.	24. Nov. 2020
1.1	Deleted lens model info.	11. Aug. 2023

910 Auburn Ct, Fremont, CA 94538, USA

Phone: +1-408-263-0988

Fax: +1-408-217-1960

Email: sales@leopardimaging.com

Website: www.leopardimaging.com

