



LEOPARD
IMAGING

LI-AR0234CSC-GMSL2-xxxH



Address:

910 Auburn Ct
Fremont, CA 94538
USA



Phone:

+1 (408)263-0988

Fax:

+1 (408)217-1960



Sales:

sales@leopardimaging.com

Support:

support@leopardimaging.com

INTRODUCTION

The LI-AR0234CSC-GMSL2-xxxH is equipped with ON Semiconductor CMOS digital image sensor AR0234CS, capable of producing clear, low noise images in both low-light and bright scenes. This camera outputs 1920 x 1200 RAW data.

SPECIFICATIONS

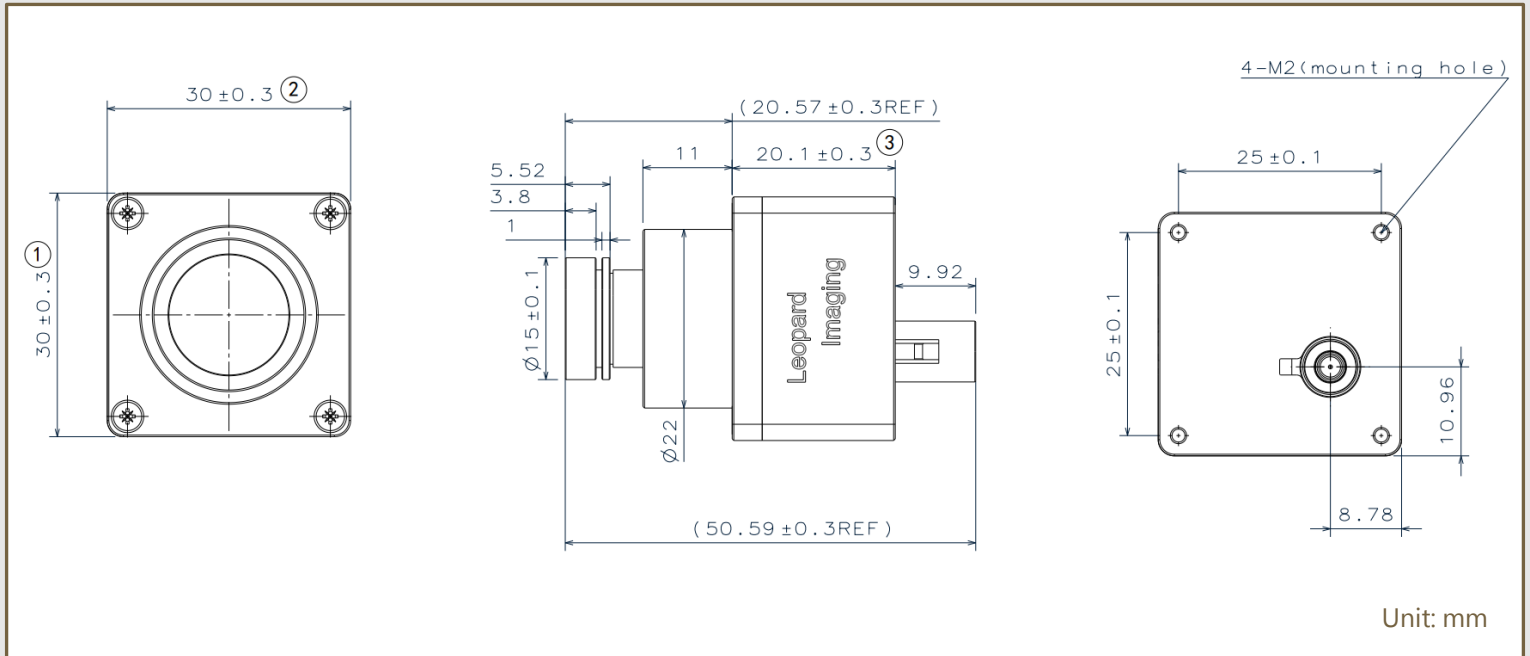
Sensor	ON Semiconductor CMOS Image Sensor AR0234CS
Optical Format	1/2.6"
Resolution	1920 (H) x 1200 (V) (active pixels)
Pixel Size	3.0 x 3.0 μm
Color / Mono	Color
Maximum Frame Rate	120 fps @ full resolution
Shutter	Global shutter
Serializer	Maxim MAX9295A
Power Supply Range	9 ~ 19 VDC
FAKRA Connector	FAKRA Z TYPE
IP Rating	IP67
Power Consumption	TBD
Operating Temp	-40°C ~ +85°C
Storage Temp	-40°C ~ +85°C
Weight	~ 44 g
Part#	LI-AR0234CSC-GMSL2-xxxH

APPLICATIONS

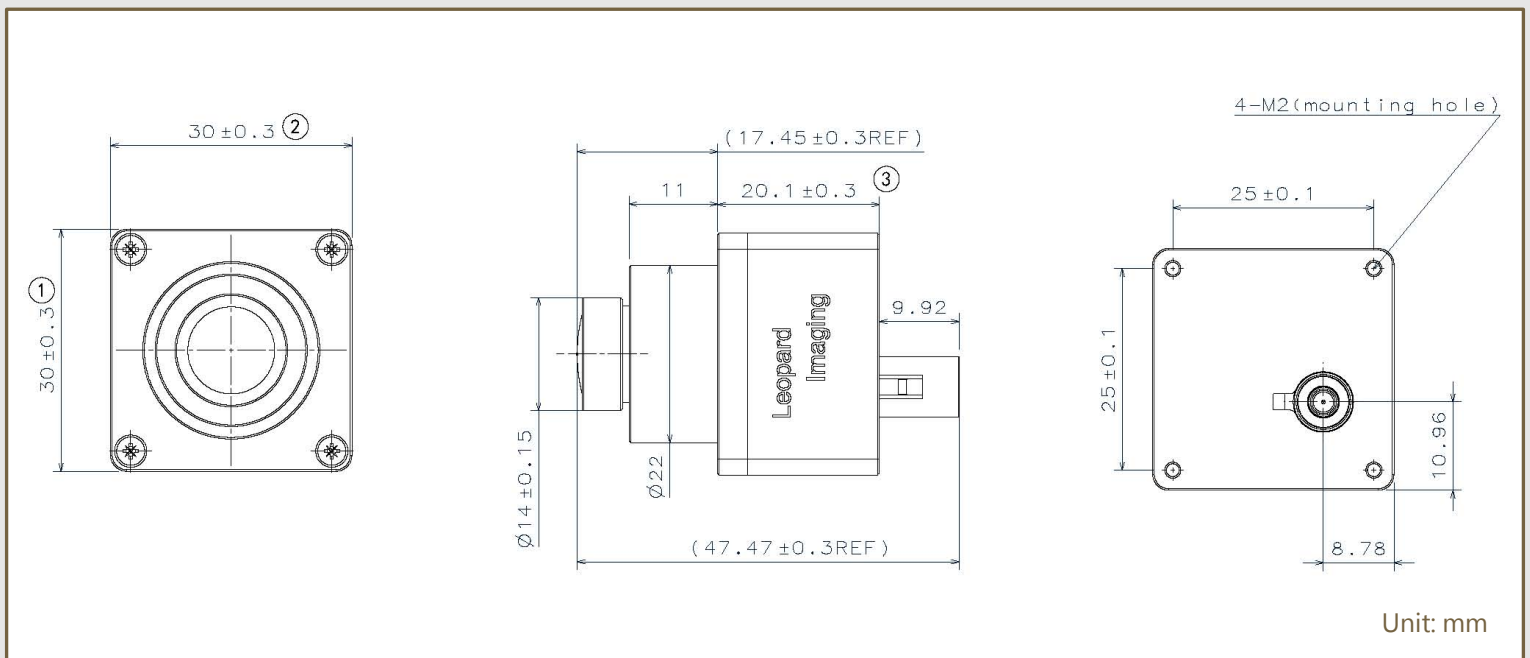
- Bar Code Scanner
- Gesture Recognition
- 3D Scanning
- Positional Tracking
- Iris Scanning
- Augmented Reality
- Virtual Reality
- Biometrics
- Machine Vision



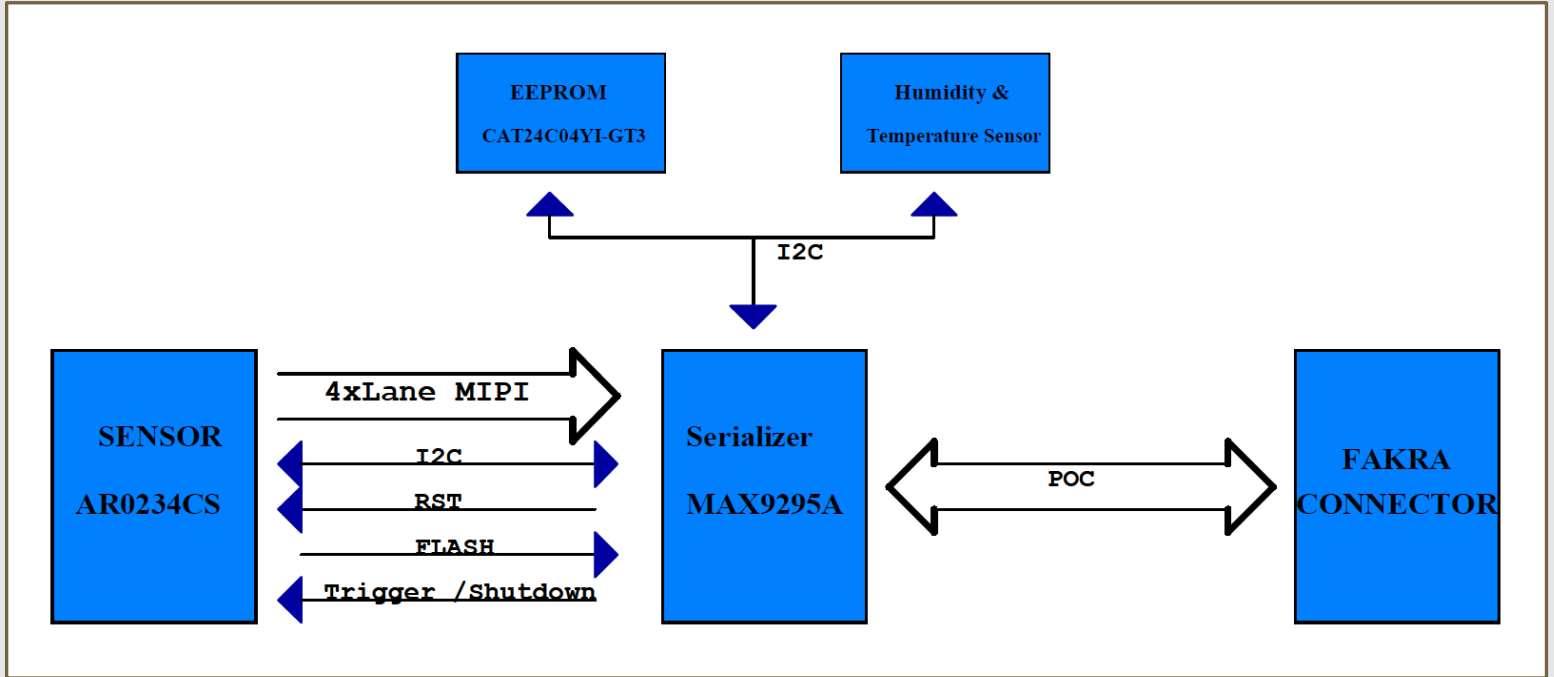
DIMENSIONS: LI-AR0234CSC-GMSL2-060H



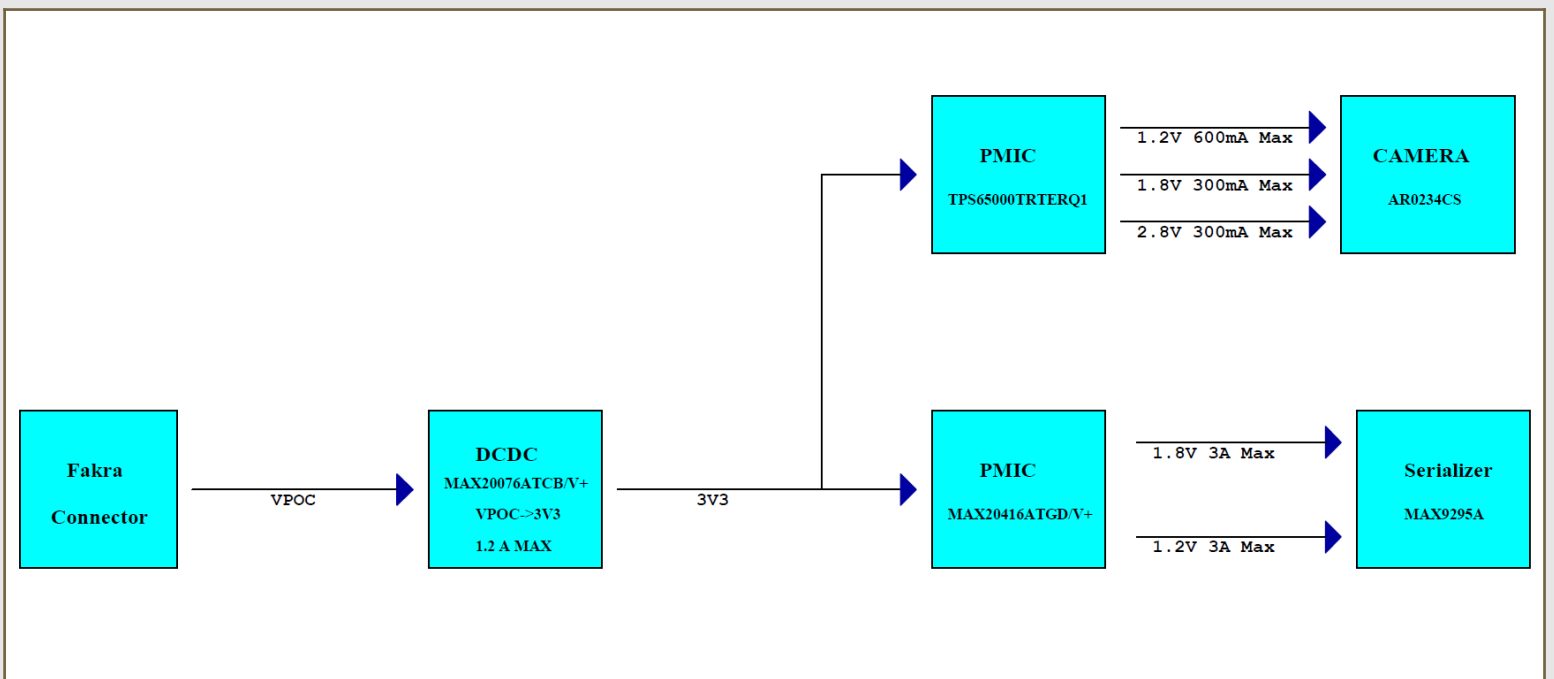
DIMENSIONS: LI-AR0234CSC-GMSL2-120H



SYSTEM BLOCK DIAGRAM



POWER BLOCK DIAGRAM

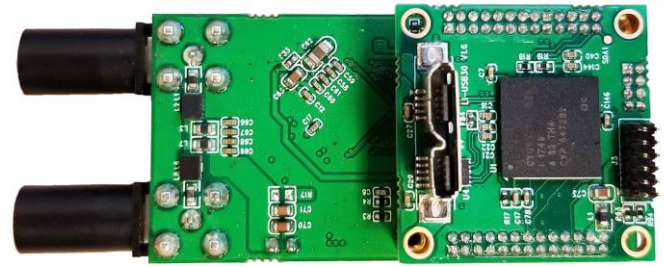


USB3.0 CAMERA KIT

LI-USB30-DESER-GMSL2



Top View



Bottom View

LI-AR0234CSC-GMSL2-xxxH can connect to LI-USB30-DESER-GMSL2 as a USB 3.0 camera.

Part#: **LI-USB30-AR0234CSC-GMSL2-xxxH**

SPECIFICATIONS

- USB 3.0 Super Speed support
- UVC compliance
- Global shutter
- Provide customization services
- 12 VDC power supply for camera
- Weight: ~ 118 g
- Single Coax Cable transmit up to 12 meters PoC (Power over Cable)
- Resolution: 1920 x 1200 @ 30 fps
- Support Windows, Linux OS and other OS which include the UVC drivers

BOM

#	Items	QTY
1	LI-AR0234CSC-GMSL2-xxxH	1
2	LI-USB30-DESER-GMSL2	1
3	3-Meter Fakra Cable	1
4	12 VDC Power Supply	1
5	USB3.0 Cable	1



SDK SUPPORTED

- Camera Tool Source Code in C#
- Capture & Display
- Register Access Function

- REVISION HISTORY

Revision	Description	Release date
1.0	First release.	22 June 2021

910 Auburn Ct, Fremont, CA 94538, USA

Phone: +1-408-263-0988

Fax: +1-408-217-1960

Email: sales@leopardimagng.com

Website: www.leopardimaging.com

