



LEOPARD
IMAGING

LI-AR0234CS-YUV-GMSL2



Address:

910 Auburn Ct
Fremont, CA 94538
USA



Phone:

+1 (408)263-0988

Fax:

+1 (408)217-1960



Sales:

sales@leopardimaging.com

Support:

support@leopardimaging.com

INTRODUCTION

The LI-AR0234CS-YUV-GMSL2 is equipped with ON Semiconductor 2.3MP CMOS digital image sensor AR0234CS, AP1302 ISP and Maxim GMSL2 serializer MAX9295A/B. This camera outputs 1920 x 1200 YUV data.

SPECIFICATIONS

Sensor	ON Semiconductor 2.3MP CMOS Image Sensor AR0234CS
Optical Format	1/2.6"
Resolution	1920 (H) x 1200 (V) (based on ISP binary)
Pixel Size	3.0 x 3.0 μm
Output Format	YUV422 8-bit
Color / Mono	Color sensor
Frame Rate	30 fps @ 1920 x 1200
Shutter	Global shutter
Serializer	Maxim MAX9295A/B
Power Supply Range	9 ~ 19 VDC
ISP	ON Semiconductor AP1302
FAKRA Connector	FAKRA Z TYPE
IP Rating	IP67
Power Consumption	100 mA @ 12 VDC (1920 x 1200 @ 30 fps)
Operating Temp	-40°C ~ +85°C
Storage Temp	-40°C ~ +85°C
Weight	~ 50 g
Part#	LI-AR0234CS-YUV-GMSL2

APPLICATIONS

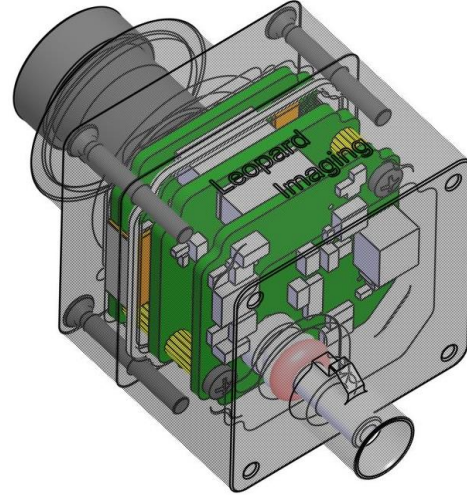
- Bar Code Scanner
- 3D Scanning
- Positional Tracking
- Iris Scanning
- Machine Vision
- Augmented Reality
- Virtual Reality
- Biometrics
- Gesture Recognition



WATER PROOF

- Metal Housing
- Water-Proof Lens
- Sealed Gasket (White)
- Sealed O-Ring (Red)

Note: The lens must be glued for water-proof.





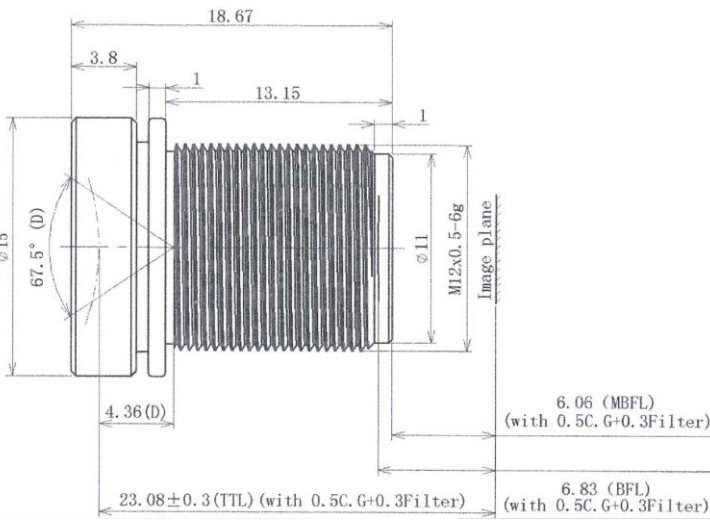
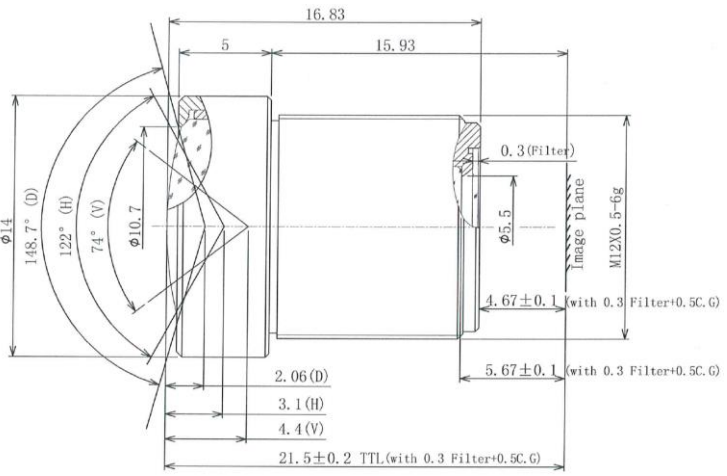
CABLE CONNECTOR

- Housing Connector: FAKRA Z Type
- Cable Length: 3 meters
- Cable Part#: FAK-SMZSMZ-3M

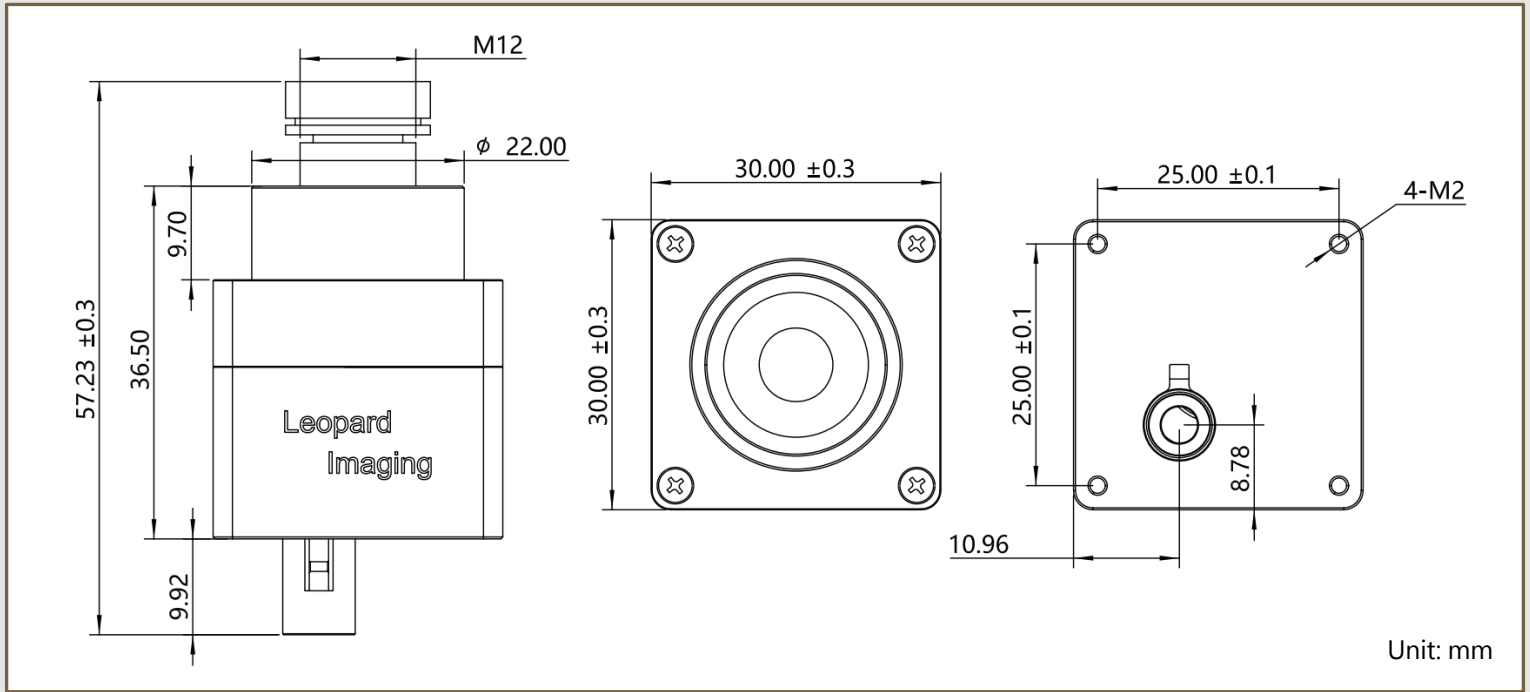


LENS SPECIFICATIONS

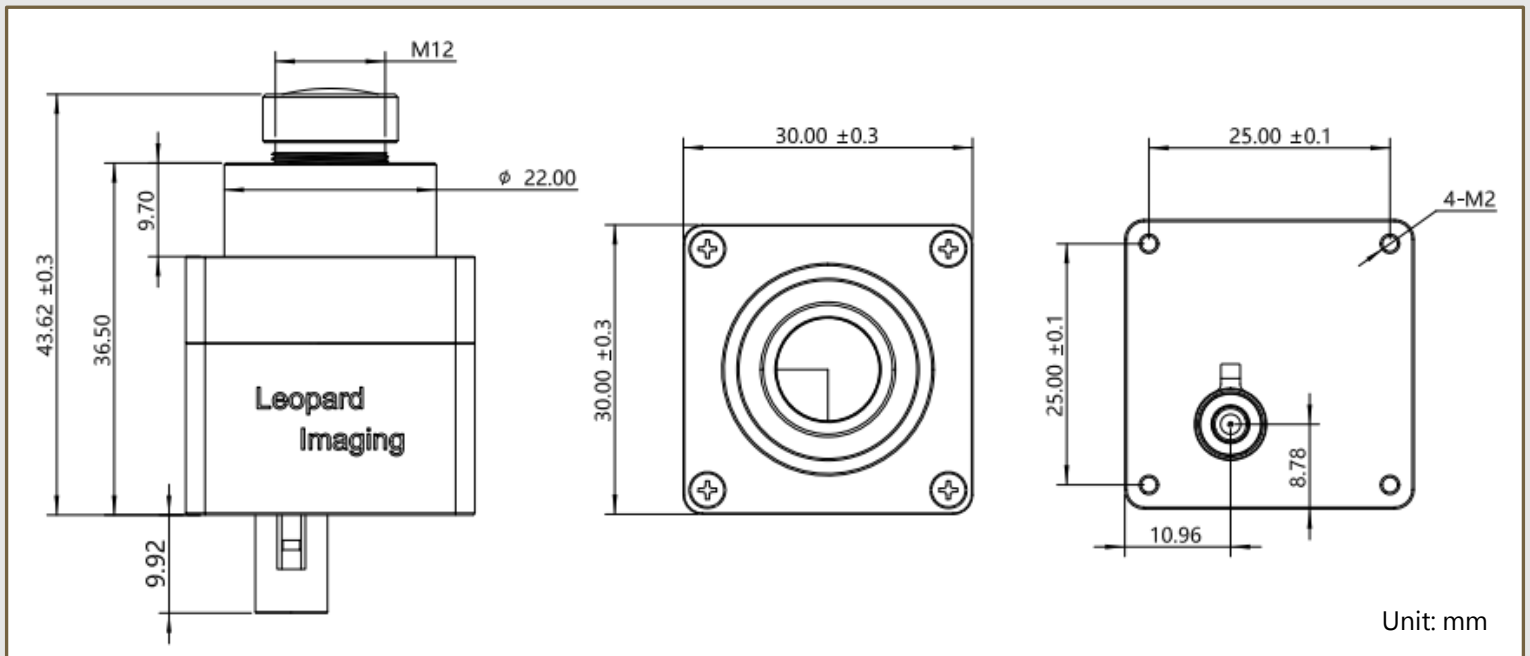
The LI-AR0234CS-YUV-GMSL2 is equipped with two types of waterproof M12 lens: 60H and 120H.

LI-AR0234CS-YUV-GMSL2-060H	LI-AR0234CS-YUV-GMSL2-120H
	
Effective Focal Length (EFL): 6.0 mm	Effective Focal Length (EFL): 2.8 mm
Aperture, F/#: 1.9	Aperture, F/#: 2.0
Field of View (FOV): 60° horizontal	Field of View (FOV): 122° horizontal
Optical Distortion: < -20%	Optical Distortion: < -66.5%
Relative Illumination: > 50%	Relative Illumination: > 30%
Mount: M12 x 0.5	Mount: M12 x 0.5
IP Rating: IP67	IP Rating: IP67
	

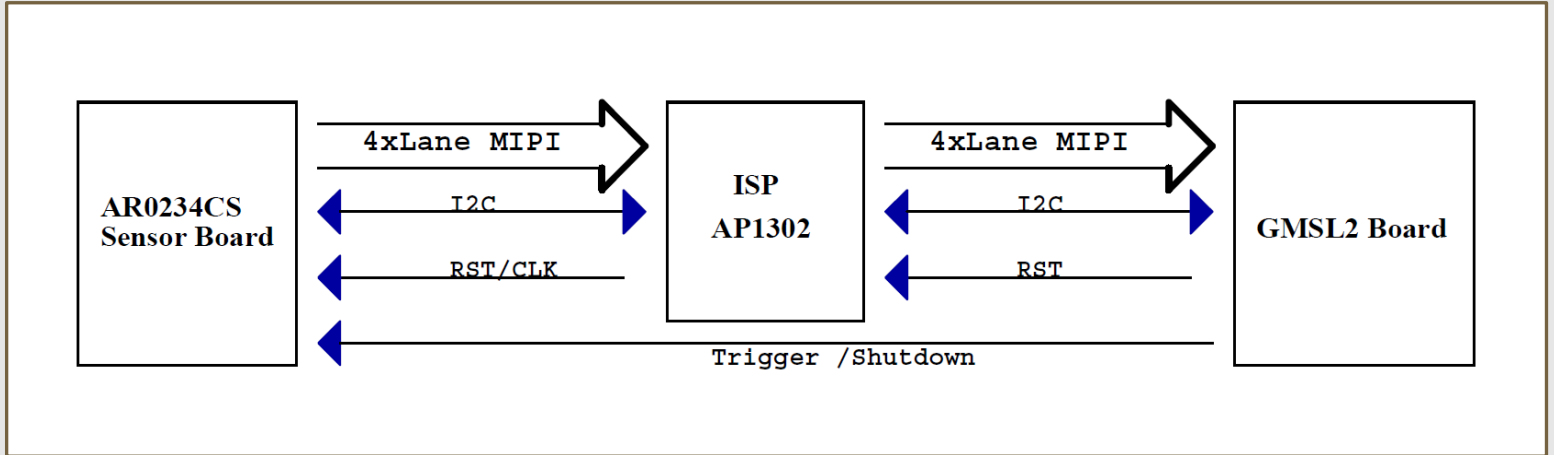
DIMENSIONS: LI-AR0234CS-YUV-GMSL2-060H



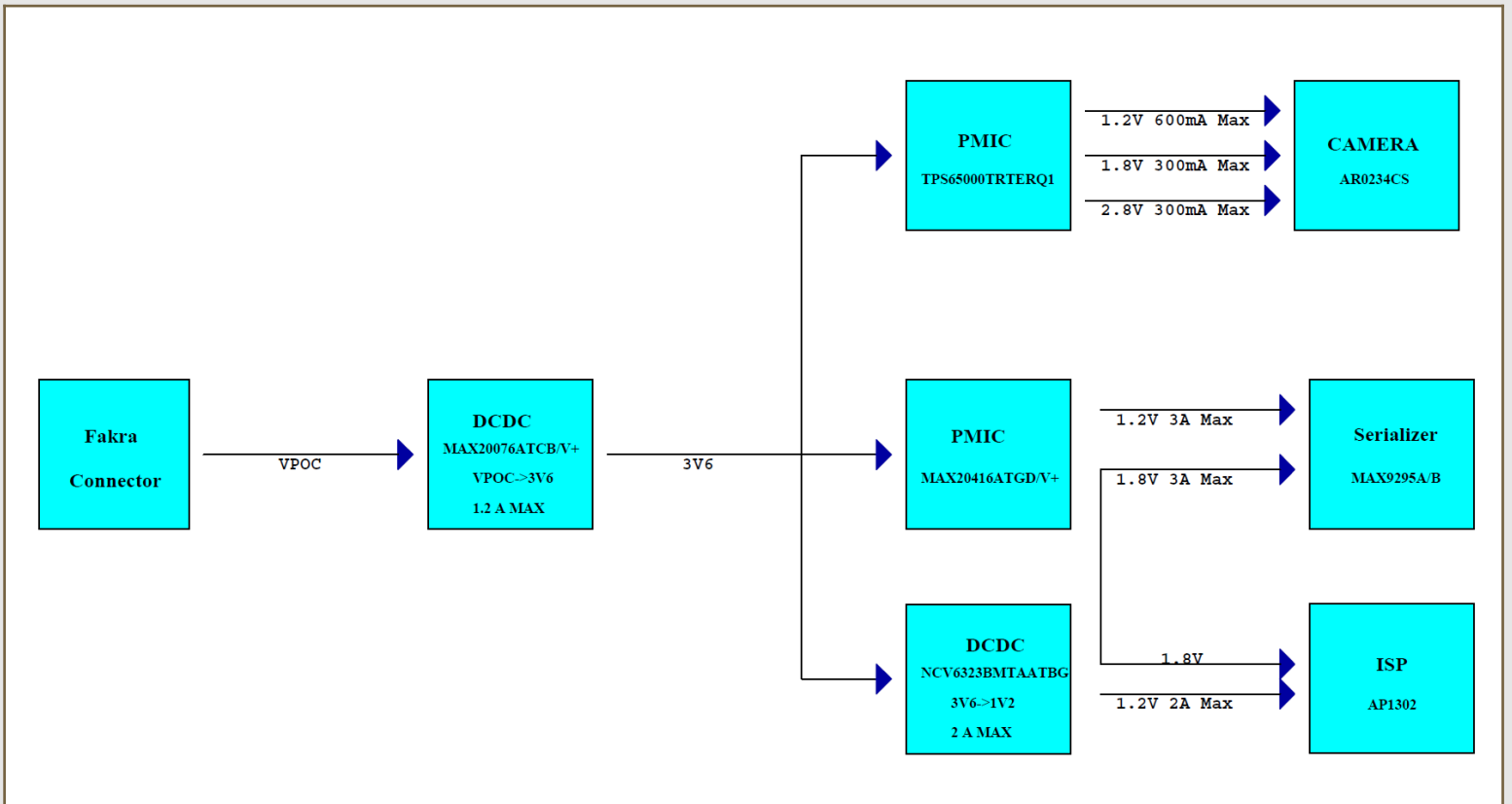
DIMENSIONS: LI-AR0234CS-YUV-GMSL2-120H



SYSTEM BLOCK DIAGRAM



POWER BLOCK DIAGRAM



USB3.0 CAMERA KIT

LI-GMSL2-USB-BOX



Front View



Side View

LI-AR0234CS-YUV-GMSL2 can connect to LI-GMSL2-USB-BOX as a USB 3.0 camera.

Part#: **LI-USB30-AR0234CS-YUV-GMSL2**

SPECIFICATIONS

- USB 3.0 Super Speed support
- UVC compliant
- Global shutter
- Allows customization
- 12 VDC power supply for camera
- Weight: ~ 127 g
- Single Coax Cable transmits up to 12 meters PoC (Power over Cable)
- Resolution: 1920 x 1200 @ 30 fps
- Compatible with Windows, Linux OS and other OS which have UVC drivers

BOM

#	Items	QTY
1	LI-AR0234CS-YUV-GMSL2	1
2	LI-GMSL2-USB-BOX	1
3	3-Meter Fakra Cable	1
4	12 VDC Power Supply	1
5	USB3.0 Cable	1



SDK SUPPORTED

- Camera Tool Source Code in C#
- Capture & Display

- REVISION HISTORY

Revision	Description	Release Date
1.0	First release	30 Jul 2021

910 Auburn Ct, Fremont, CA 94538, USA

Phone: +1-408-263-0988

Fax: +1-408-217-1960

Email: sales@leopardimagng.com

Website: www.leopardimaging.com

