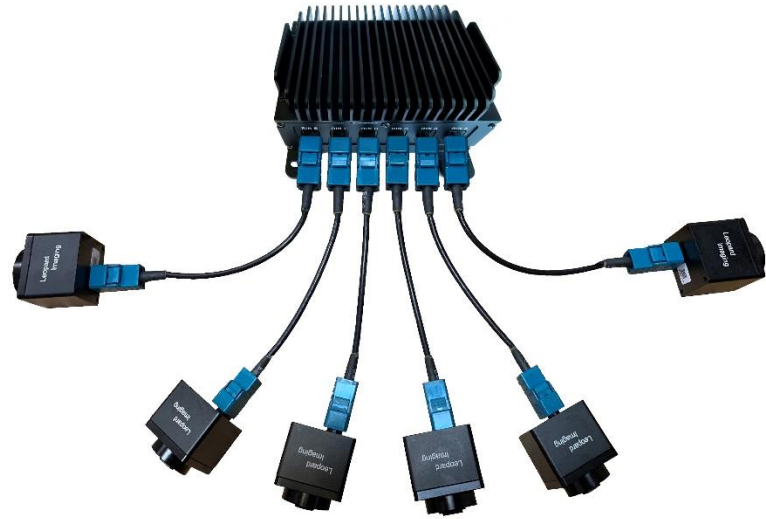


Key Features

- Nvidia® Jetson Xavier NX™ SOM included
- Support up to six GMSL2 cameras
- Sony Diagonal 8.58mm Type 1/1.9 CMOS Image Sensor IMX185LQJ
- Lens: FOV H 50°
- 1920 x 1080 resolution
- GMSL2 serializer and De-serializer included
- Connector: FAKRA Z TYPE
- Length of Fakra cable: 3 meters
- Multiple length Fakra cables supported
- M12 lens
- Camera size: 30 mm x 30 mm
- NX driver binary and source code included
- Part#:
 - (2cam) [LI-XNXB-IMX185-GMSL2-D](#)
 - (4cam) [LI-XNXB-IMX185-GMSL2-Q](#)
 - (6cam) [LI-XNXB-IMX185-GMSL2-H](#)



Application

- IoT camera
- Machine vision
- Video analytics

Lens Spec

- Focal length: 7.5 mm
- Aperture, F/#: 2.8
- Built in 650nm IR cut filter
- FOV (D/H/V): 56° / 49° / 29°
- Distortion: < 2%
- Mount: M12 x 0.5

BOM

#	Items	QTY
1	LI-XNX-BOX-GMSL2	1
2	FAK-SMZSMZ 3M	2, 4 or 6
3	LI-IMX185-GMSL2	2, 4 or 6
4	LI-PS12-02	1

LI-XNX-BOX-GMSL2

Technical details

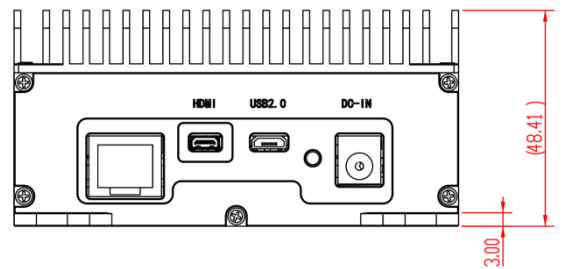
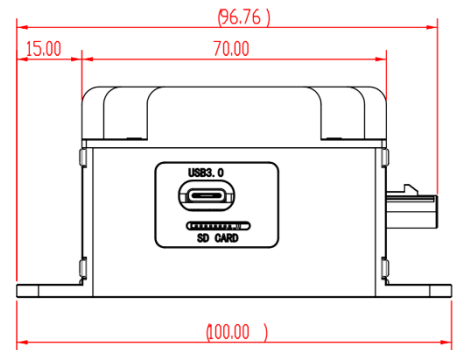
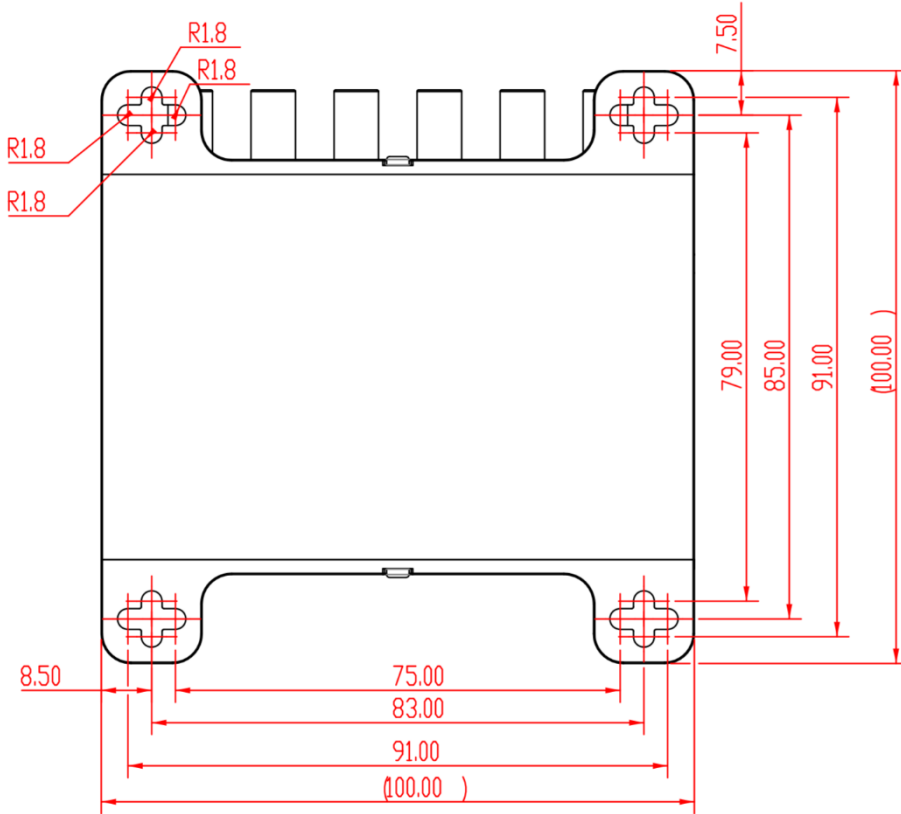
- Nvidia® Jetson Xavier NX™ SOM Included
- 6 x GMSL2 interfaces
- 1 x Micro SD card interface
- 1 x Micro HDMI connector
- 1 x Power socket (DC 12V)
- 1 x RJ45 Ethernet connector
- 1 x USB 3.0 Type-C interface
- 1 x USB 2.0 micro B interface
- 1 x M.2 PCIe port
- REC, RST and PWR buttons included
- Heat sink included
- Connector: FAKRA Z TYPE
- Includes 4 mounting holes
- Weight: TBD
- Size: 100 mm × 100 mm × 48.41 mm
- Part#: **LI-XNX-BOX-GMSL2**



Leopard Imaging Inc.

910 Auburn Ct, Fremont, CA 94538, USA
Phone: +1-408-263-0988
Fax: +1-408-217-1960
Email: sales@leopardimaging.com
Website: www.leopardimaging.com

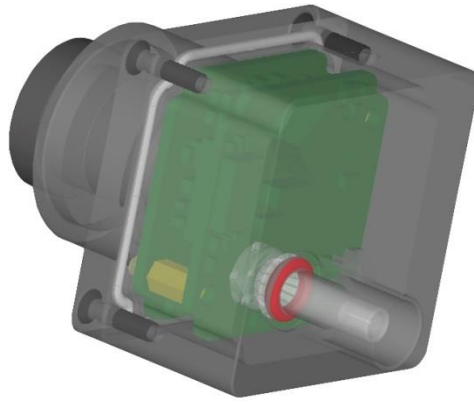

Dimensions



Leopard Imaging Inc.

910 Auburn Ct, Fremont, CA 94538, USA
 Phone: +1-408-263-0988
 Fax: +1-408-217-1960
 Email: sales@leopardimaging.com
 Website: www.leopardimaging.com

LI-IMX185-GMSL2

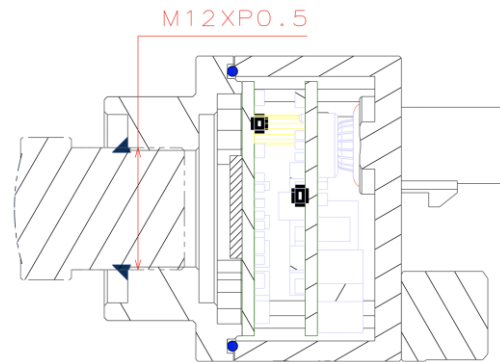
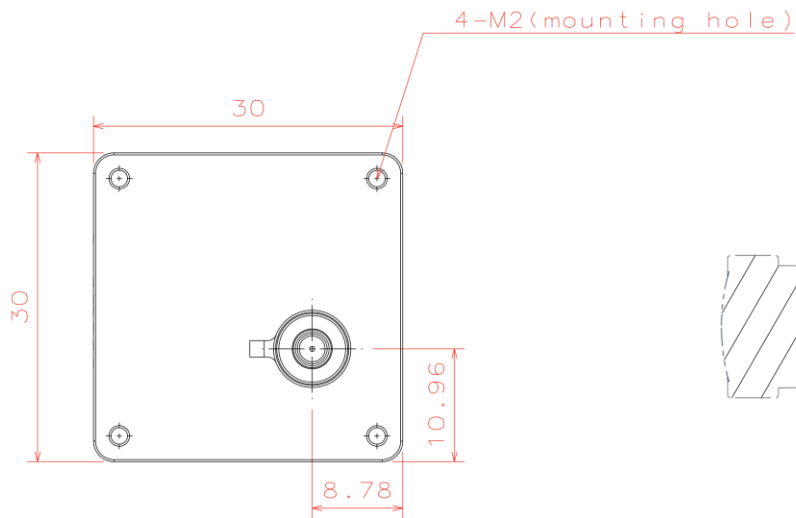
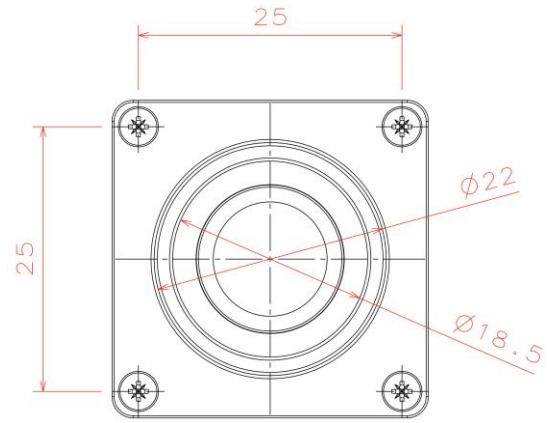
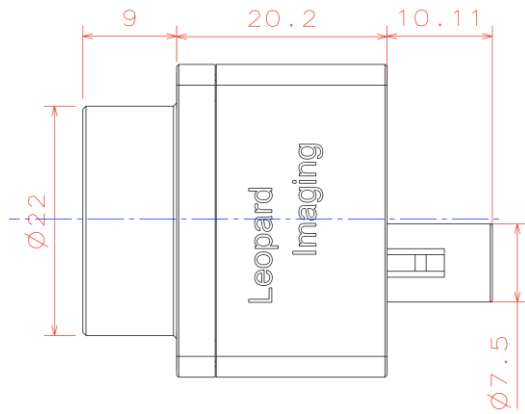
Camera Spec	
Image Sensor	Sony Diagonal 8.58mm Type 1/1.9 CMOS Image Sensor IMX185LQJ
Optical format	1/1.9"
Number of active pixels	1937 (H) x 1217 (V)
Pixel size	3.75 (H) x 3.75 (V) μm
Color or Mono	Color
FOV	50 (H)
ISP	N/A
Format	Raw output without compression (to NX)
Interface	GMSL2 Serial interface
Lens mount	M12
Weight	45 g
Operating Temp	-30°C ~ 75°C
Storage Temp	-40°C ~ 80°C
IP Rating: IP67 (Up to IP69K) Lens must be glued	
<ul style="list-style-type: none">▪ Metal Housing▪ Water-proof M12 lens▪ Sealed Gasket (White)▪ Sealed O-ring (Red)	
Cable Connector	
<ul style="list-style-type: none">▪ Housing Connector- FAKRA Z Type▪ Cable length: 3 meters Support single Coax Cable transmit up to 12 meters▪ Cable Part#: FAK-SMZSMZ-3M FAKRA type connectors	



Leopard Imaging Inc.

910 Auburn Ct, Fremont, CA 94538, USA
Phone: +1-408-263-0988
Fax: +1-408-217-1960
Email: sales@leopardimaging.com
Website: www.leopardimaging.com

Dimensions



Leopard Imaging Inc.

910 Auburn Ct, Fremont, CA 94538, USA
Phone: +1-408-263-0988
Fax: +1-408-217-1960
Email: sales@leopardimaging.com
Website: www.leopardimaging.com

Revision History

Revision	Description	Release Date
1.0	First Release	01. Apr. 2020
1.1	Deleted lens model info.	11. Aug. 2023

