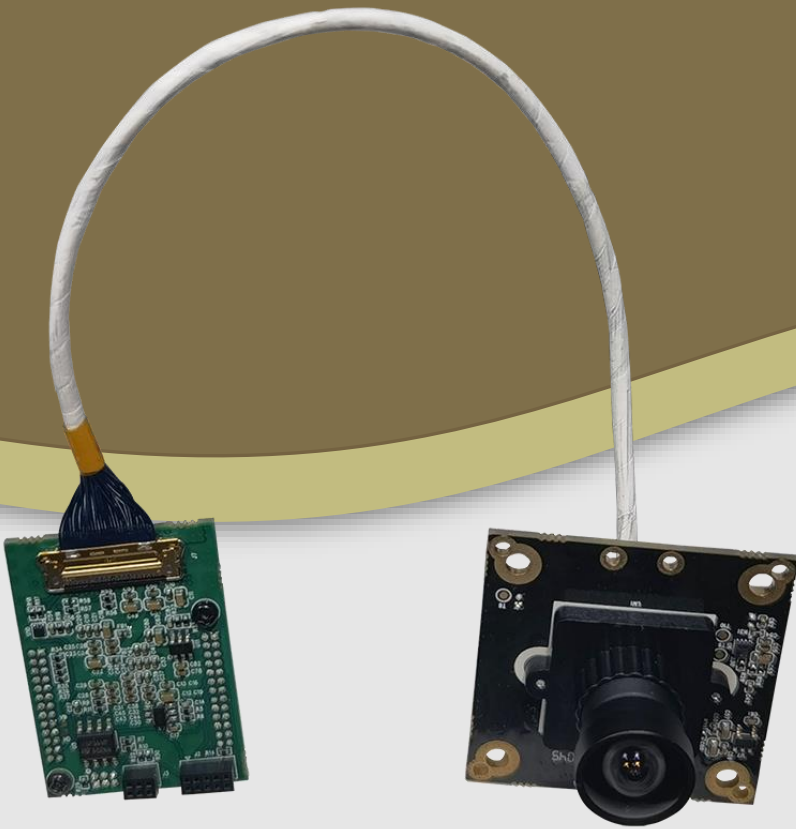




**LEOPARD**  
IMAGING

# LI-USB30-IMX577



**Address:**

910 Auburn Ct  
Fremont, CA 94538  
USA



**Phone:**

+1 (408)263-0988

**Fax:**

+1 (408)217-1960



**Sales:**

[sales@leopardimaging.com](mailto:sales@leopardimaging.com)

**Support:**

[support@leopardimaging.com](mailto:support@leopardimaging.com)

## Key Features

- USB 3.0 Super Speed support
- RAW data output without compression
- UVC compliant
- Color camera
- Supports M12 / CS lens
- Allows customization
- USB + 5 VDC powered device
- Part#: LI-USB30-IMX577

## Default Lens Specifications

Effective Focal Length	3.25 mm $\pm$ 5%
Aperture, F/#	2.60 $\pm$ 5%
Field of View (FOV)	101.6° diagonal
	88.5° horizontal
	71.6° vertical
TV Distortion	< -0.6%
Relative Illumination	> 58.98%
IR Filter	650 nm IR cut filter
Lens Mount	M12 x P0.5

## Applications

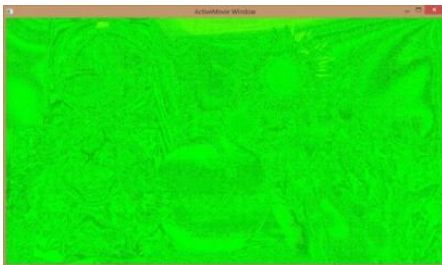
- Machine Vision
- Medical Camera
- Scientific Camera

## SDK Supported

- Camera Tool Source Code in C#
- Capture & Display
- RAW to RGB Conversion
- Save file as BMP & RAW format
- Color Matrix
- Register access function

## BOM

#	Items	QTY
1	LI-IMX577-MIPI	1
2	LI-USB30 Main board	1
3	LI-CSLINK-IPX-TESTER	1
4	FAW-1233-02 (200 mm)	1



RAW Data Streaming



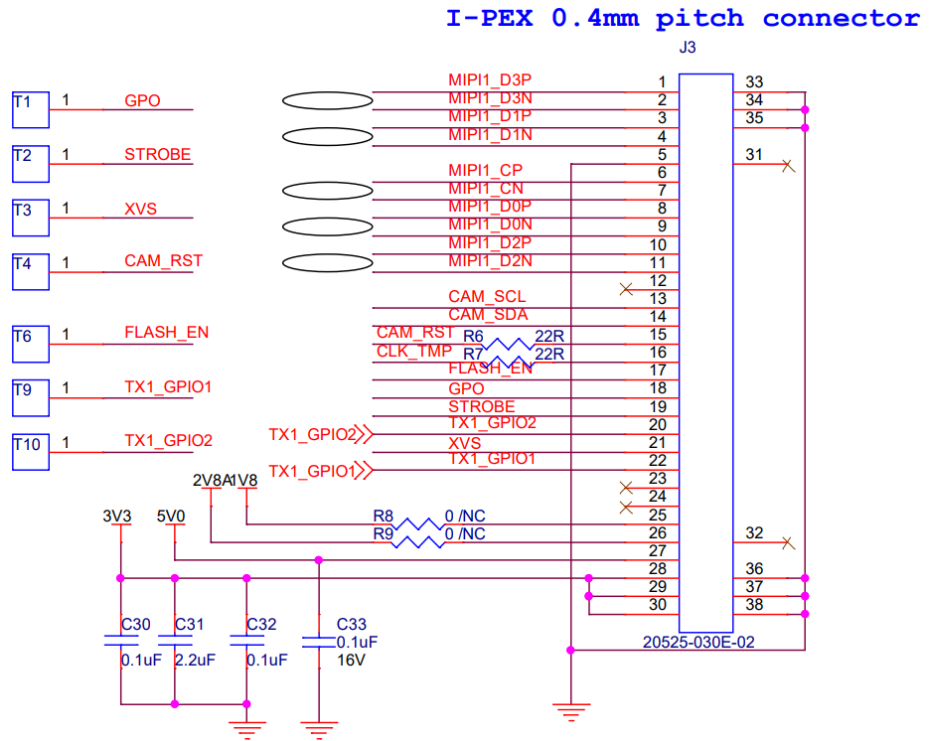
Camera Tool View Mode

## SEPCIFICATIONS

<b>General Behavior</b>	
Video Resolution @ Frame rate	4056 x 3040 @ 12 fps
Bit Depth	10-bit
<b>Interface (Optical)</b>	
IR Cut Filter (on lens)	650 nm IR cut filter
Sensor	Sony Diagonal 7.857 mm (Type 1/2.3) CMOS Image Sensor IMX577
Shutter	Rolling
Color / Mono	Color
Format	1/2.3"
Active Pixels	4056 (H) x 3040 (V)
Pixel Size	1.55 x 1.55 $\mu\text{m}$
Lens Mount	CS / M12 lens mount support (Default: M12 lens)
<b>Interface (Electrical)</b>	
Interface	USB 3.0
Supply Voltage	USB 3.0 + 5 VDC power source
Current Consumption	TBD
<b>Interface (Mechanical)</b>	
Dimensions	LI-IMX577-MIPI: 38.0 (L) x 38.0 (W) mm
	LI-USB30 Main board: 26.0 (L) x 26.0 (W) mm
	LI-CSLINK-IPX-TESTER: 36.5 (L) x 26.5 (W) mm
Weight (Without FAW-1233-xx cable)	LI-IMX577-MIPI-M12 + LI-USB30 Main board + LI-CSLINK-IPX-TESTER: ~ 25 g
	LI-IMX577-MIPI-CS + LI-USB30 Main board + LI-CSLINK-IPX-TESTER: ~ 67 g
<b>Adjustment (Manual)</b>	
Shutter	TBD
Gain	TBD
Register Access	Yes
<b>Environmental</b>	
Max. Temperature (Operation)	0°C ~ +50°C (+32°F ~ +122°F)
Max. Temperature (Storage)	-20°C ~ +80°C (-4°F ~ +176°F)
Max. Humidity (Operation)	20% ~ 80%, relative, non-condensing
Max. Humidity (Storage)	20% ~ 80%, relative, non-condensing
<b>Supported OS</b>	
Windows OS, Standard Linux OS and other OS with full UVC drivers	

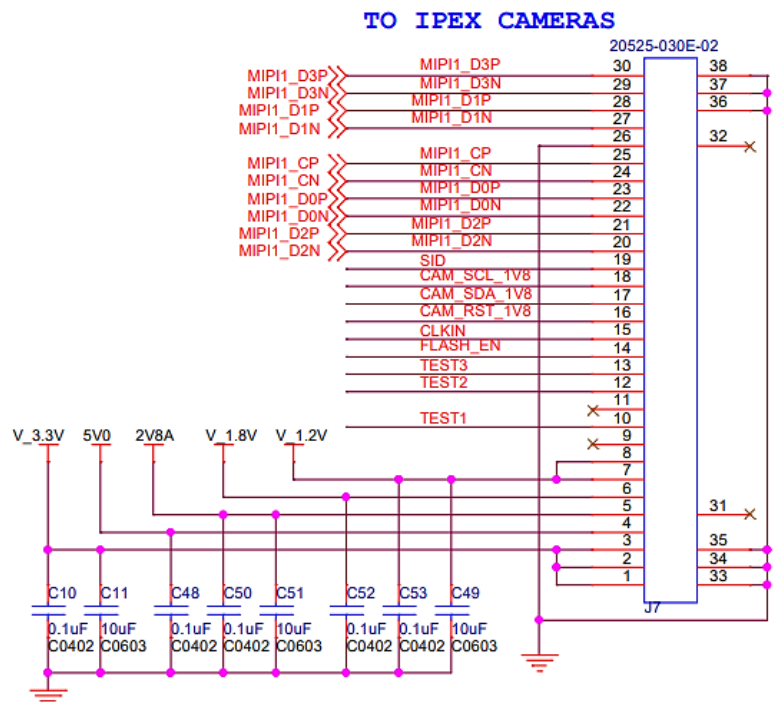
## LI-IMX577-MIPI INTERFACE (MIPI Connector)

- Connector Part#: 20525-030E-02
- Number of Positions: 30
- Pitch: 0.4 mm
- Mating I-PEX Cable: FAW-1233-xx



## LI-CSLINK-IPX-TESTER INTERFACE (To Cam)

- Part#: 20525-030E-02
- Number of Positions: 30
- Pitch: 0.4 mm
- Mating I-PEX Cable: FAW-1233-xx



## ● REVISION HISTORY

Revision	Description	Release Date
1.0	First release.	13 May 2019
1.1	1. Updated lens. 2. Updated dimension and weight info and added interface part.	25 Aug 2021

910 Auburn Ct, Fremont, CA 94538, USA

Phone: +1-408-263-0988

Fax: +1-408-217-1960

Email: [sales@leopardimagng.com](mailto:sales@leopardimagng.com)

Website: [www.leopardimaging.com](http://www.leopardimaging.com)

