



LEOPARD
IMAGING

LI-S5K3B6SA-GM2B-094H



Address:

910 Auburn Ct
Fremont, CA 94538
USA



Phone:

+1 (408)263-0988

Fax:

+1 (408)217-1960



Sales:

sales@leopardimaging.com

Support:

support@leopardimaging.com

INTRODUCTION

The LI-S5K3B6SA-GM2B-094H is equipped with Samsung automotive 1/2.4" 3MP CMOS RCCG image sensor S5K3B6SA which has On-Chip OTP and NVM. Its serializer is Maxim GMSL2 serializer MAX96717. This camera outputs RAW image data.

SPECIFICATIONS

Sensor	Samsung Automotive 1/2.4" 3MP CMOS RCCG Image Sensor S5K3B6SA
Optical Format	1/2.4"
Resolution	1936 (H) x 1552 (V) (active pixels)
Pixel Size	3.0 μ m Split PD
Output Format	20-bit / 16-bit / 14-bit / 12-bit RAW
Color / Mono	Color sensor
Maximum Frame Rate	60 fps (intra-scene) @ 3MP with Dual Conversion gain and Lateral overflow with LFM
HDR (High Dynamic Range)	Supported
LFM (LED Flicker Mitigation)	Supported
Serializer	Maxim MAX96717
Lens	FOV H 94°
IP Rating	IP67
Power Supply Range	7 ~ 24 VDC
Connector	FAKRA Z TYPE
Power Consumption	78 mA @ 12 VDC (1920 x 1536 @ 30 fps)
Operating Temp	-40°C ~ +85°C
Storage Temp	-40°C ~ +85°C
Weight	~ 48 g
Part#	LI-S5K3B6SA-GM2B-094H

APPLICATIONS

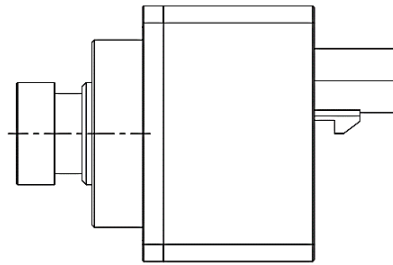
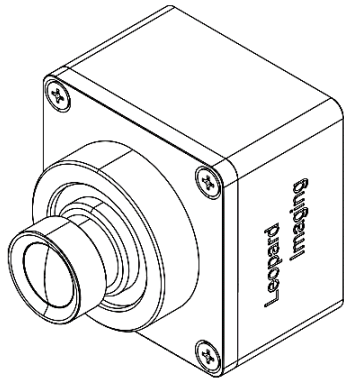
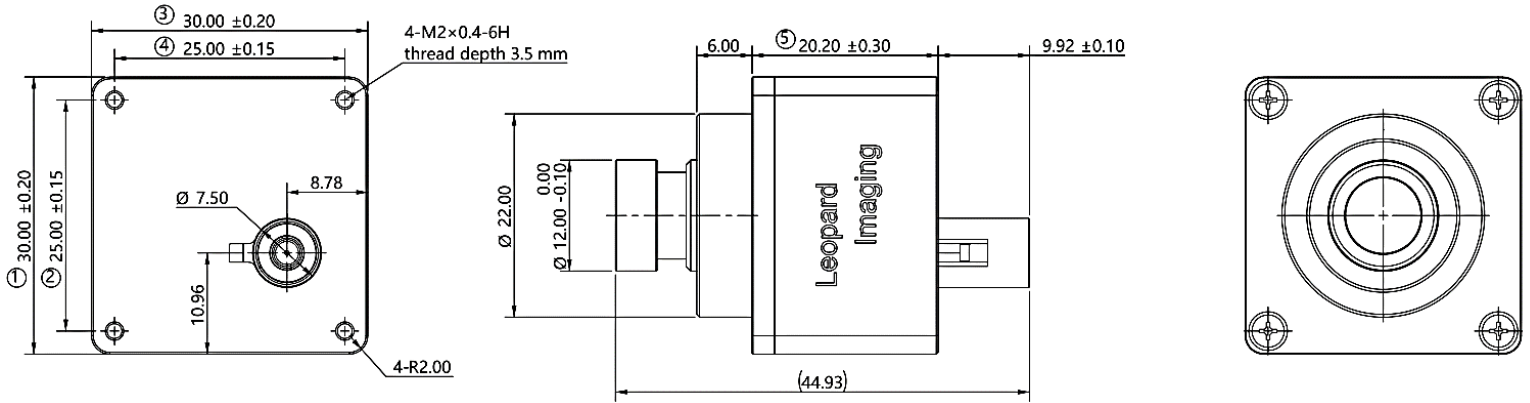
- Automotive
 - ◆ Autonomous Driving
 - ◆ High Performance ADAS
 - ◆ Front Forwarding Camera
 - ◆ Surround Sensing / Viewing Camera

LENS SPECIFICATIONS

Effective Focal Length	3.6 \pm 5% mm
Aperture, F/#	1.7 \pm 5%
Field of View (FOV)	94° horizontal
Optical Distortion	-35.77 \pm 5% (F- tant θ)
Relative Illumination	\geq 45%
IR Cut Filter	648 nm IR cut filter
Lens Mount	M12 x P0.5



DIMENSIONS



TOLERANCE TABLE					
LENGTH TOLERANCE		CHAMFER TOLERANCE		ANGLE TOLERANCE	
Size X	Tolerance	Size X	Tolerance	Size X	Tolerance
0.5 < X ≤ 3	±0.1	0.5 < X ≤ 3	±0.2	X ≤ 10	±1°
3 < X ≤ 6	±0.1	3 < X ≤ 6	±0.5	10 < X ≤ 50	±30'
6 < X ≤ 30	±0.2	6 < X ≤ 30	±1	50 < X ≤ 120	±20'
30 < X ≤ 120	±0.3	X > 30	±2	120 < X ≤ 400	±10'
120 < X ≤ 400	±0.5			X > 400	±5'
400 < X ≤ 1000	±0.8				
X > 1000	±1.2				

NOTE:

- ⊗ marked are important sizes.
- All materials are compliant with RoHS requirements.
- Tolerances for others unmarked refer to the Tolerance Table.
- Unit: mm

SYSTEM BLOCK DIAGRAM

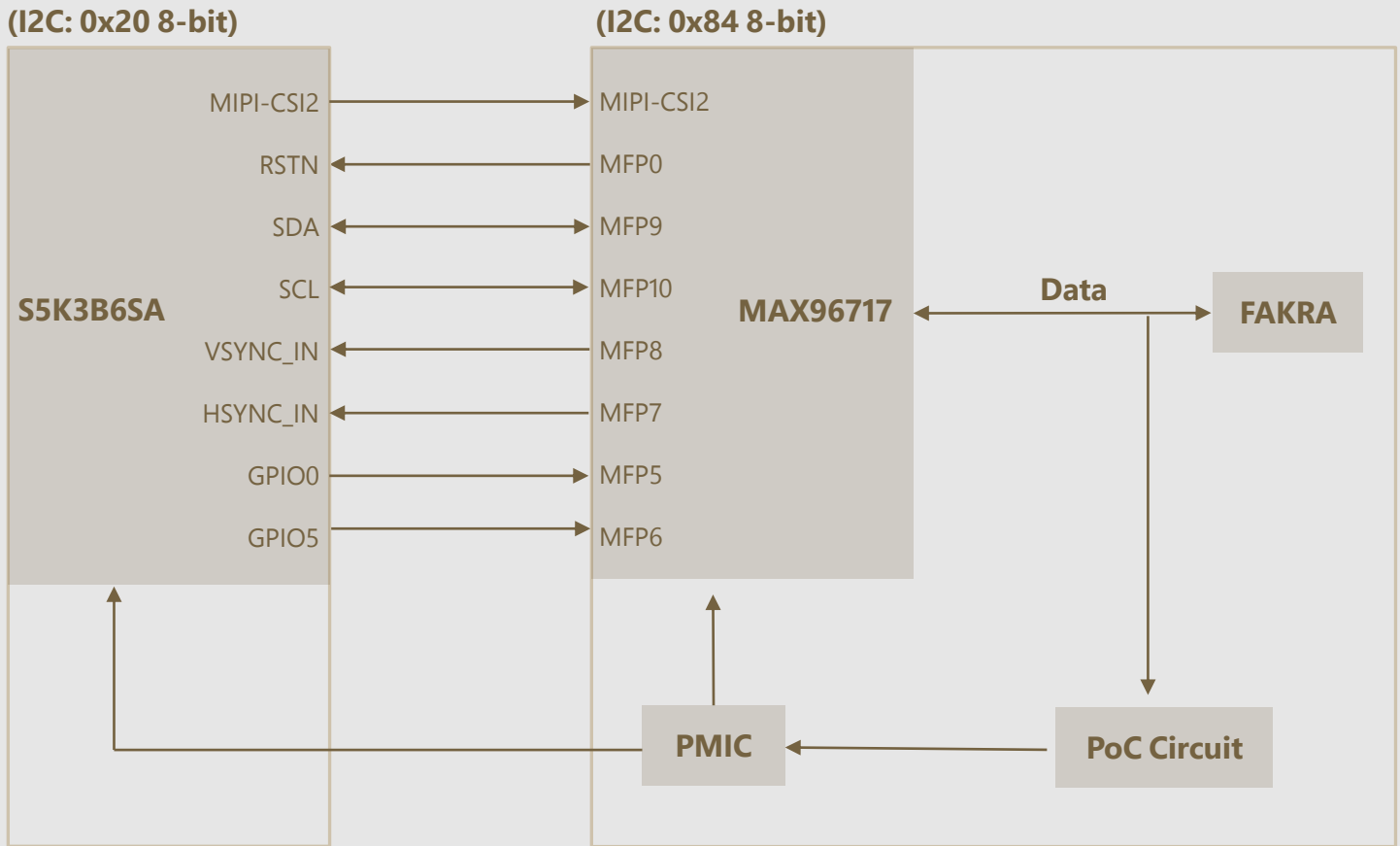
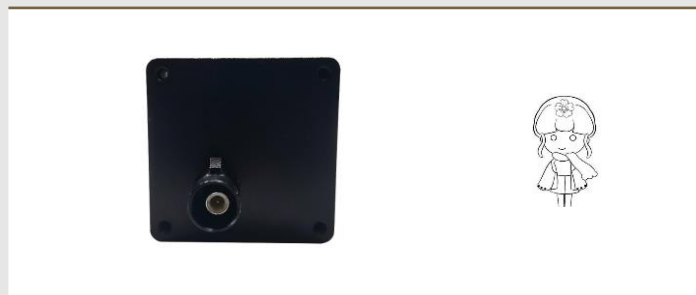


IMAGE ORIENTATION



● REVISION HISTORY

Revision	Description	Release Date
1.0	First Release.	21 Mar 2024

910 Auburn Ct, Fremont, CA 94538, USA

Phone: +1 (408)263-0988

Fax: +1 (408)217-1960

Email: sales@leopardimaging.com

Website: www.leopardimaging.com

