



LEOPARD
IMAGING

LI-OV2775-GMSL2-xxxH

Data Sheet

Key Features

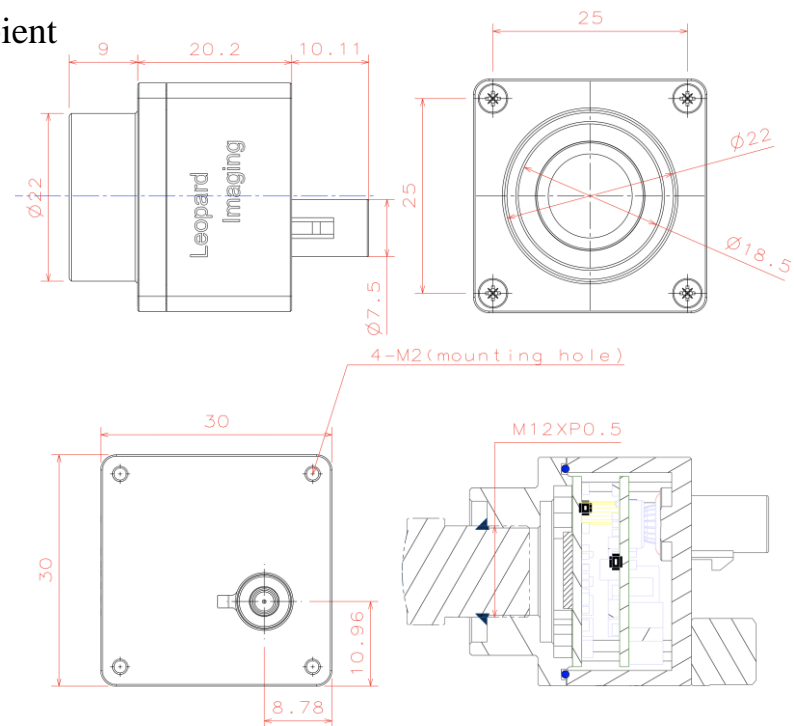
- OmniVision CMOS 2M Image Sensor OV2775
- Optical format: 1/2.9"
- Number of active pixels: 1920H x 1080V
- Pixel size: 2.8 x 2.8 μ m
- Output 12 bit Raw data
- 27MHz clock input
- Support 12V Power
- Lens: HFOV 56° /113° /200°
- GMSL2 Serializer
- Connector: FAKRA Z TYPE
- Water proof: IP67
- Operation Temp: -40°C ~ +85°C ambient temp; -40°C ~ +125°C junction temp
- Size: 30 x 30 x 29.2 mm
- Weight: 45 g
- Part#: **LI-OV2775-GMSL2-xxxH**



Application

- Autonomous driving
- Camera monitoring system
- Rear view camera

Dimensions

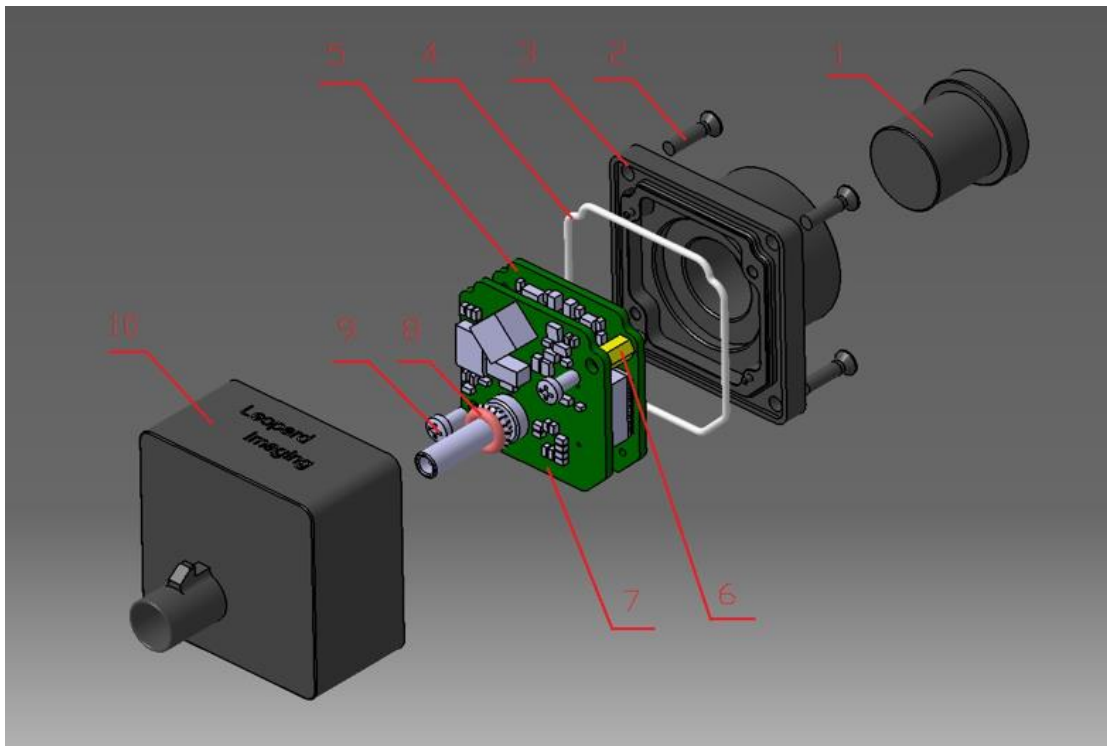


Leopard Imaging Inc.

910 Auburn Ct, Fremont, CA 94538, USA
 Phone: +1-408-263-0988
 Fax: +1-408-217-1960
 Email: sales@leopardimaging.com
 Website: www.leopardimaging.com

BOM

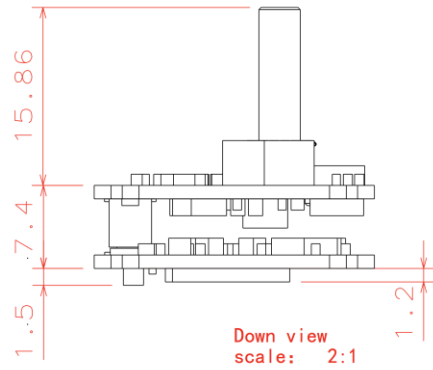
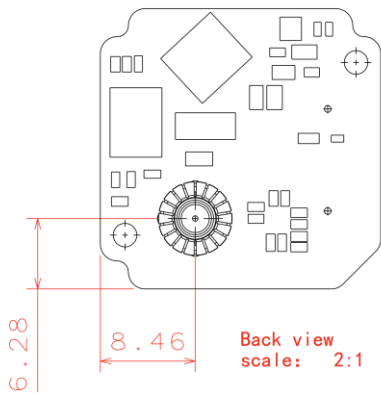
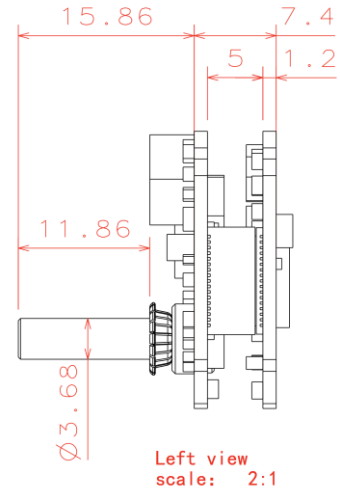
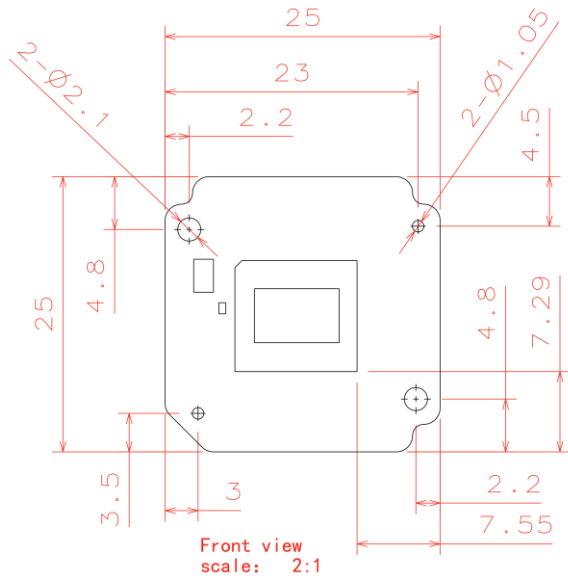
#	Name	SPEC	QTY/SET
1	Lens	M12 lens	1
2	Screw	M2*8 cross flat head black ZINC	4
3	Shell 2	AL6061-T6 BLACK Anodizing	1
4	Sealing ring	Silicon rubber, White	1
5	LI-OV2775-MIPI	OV2775 sensor board	1
6	Copper pillar	M2*5+3	2
7	LI-GMSL2-FKR	GMSL2 board	1
8	O ring	6.5*1.5 Silicon rubber Red	1
9	Screw	M2*4 cross pan head black ZINC	2
10	Shell 1	AL6061-T6 BLACK Anodizing	1



Leopard Imaging Inc.

910 Auburn Ct, Fremont, CA 94538, USA
 Phone: +1-408-263-0988
 Fax: +1-408-217-1960
 Email: sales@leopardimaging.com
 Website: www.leopardimaging.com

Camera boards Dimensions

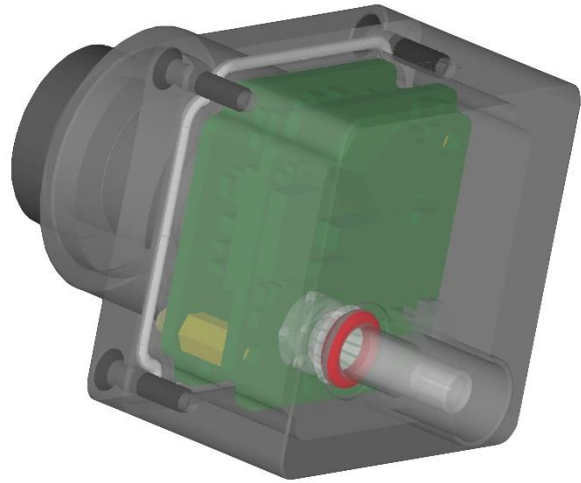


Leopard Imaging Inc.

910 Auburn Ct, Fremont, CA 94538, USA
 Phone: +1-408-263-0988
 Fax: +1-408-217-1960
 Email: sales@leopardimaging.com
 Website: www.leopardimaging.com

Water Proof

- Metal Housing
- Water-proof M12 lens
- Sealed Gasket (White)
- Sealed O-ring (Red)



Cable Connector

- Housing Connector- FAKRA Z Type
- Cable length: 3 meters
Support single Coax Cable transmit up to 15 meters
- Cable Part#: FAK-SMZSMZ-0008
- FAKRA type connectors



Leopard Imaging Inc.




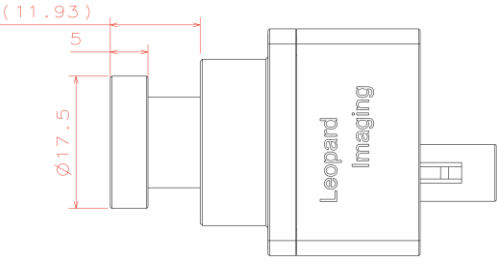
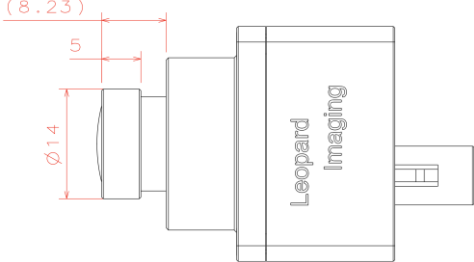
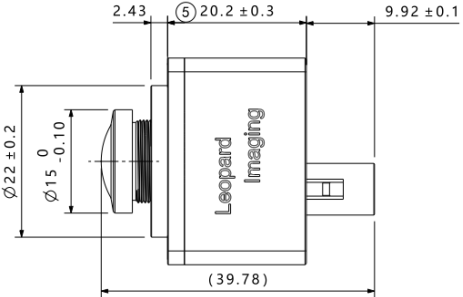
910 Auburn Ct, Fremont, CA 94538, USA
Phone: +1-408-263-0988
Fax: +1-408-217-1960
Email: sales@leopardimaging.com
Website: www.leopardimaging.com

Ordering Information

Part#: LI-OV2775-GMSL2-xxxH

Note:

xxxH - 056H: FOV H 56°
 113H: FOV H 113°
 200H: FOV H 200°

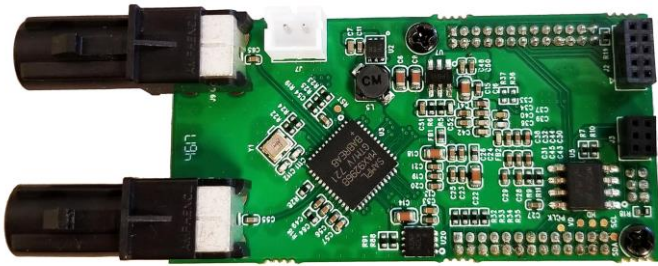
LI-OV2775-GMSL2-056H	LI-OV2775-GMSL2-113H	LI-OV2775-GMSL2-200H
		
<p>Lens EFL: 6.0 mm FOV(D): 66° FOV(H): 56° FOV(V): 31°</p>	<p>Lens EFL: 2.8 mm FOV(D): 130° FOV(H): 113° FOV(V): 63°</p>	<p>Lens EFL: 0.95 mm ± 5% FOV(H): 200°</p>
		



Leopard Imaging Inc.

910 Auburn Ct, Fremont, CA 94538, USA
 Phone: +1-408-263-0988
 Fax: +1-408-217-1960
 Email: sales@leopardimaging.com
 Website: www.leopardimaging.com

LI-GMSL2-DESER



Front View

LI-USB30-CNTL



Back View

LI-OV2775-GMSL2-xxxH can connect to USB 3.0 EVA module as a USB 3.0 camera.
Part#: **LI-USB30-OV2775-GMSL2-xxxH**

Key Features

- USB 3.0 Super Speed support
- RAW data output without compression
- UVC compliance
- Provide customization services
- 12VDC Power Supply
- Weight: 86 g
- Single Coax Cable transmit up to 15 meter PoC(Power over Cable)
- Support 1920x1080@30fps
- Power consumption: TBD
- Support Windows, Linux OS and other OS which include UVC drivers.

SDK Supported

- Camera Tool Source Code in C#
- Capture & Display
- Save file as BMP & RAW format
- Support register access function.



Revision History

Revision	Description	Release Date
1.0	First Release	12. Jan. 2018
1.1	Update lens FOV	30. Apr. 2018
1.2	Update spec information	18. Jun. 2018
1.3	Deleted lens model info.	11. Aug. 2023

