



LEOPARD
IMAGING

LI-OV2775-495-FPDLINKIII-xxxH Data Sheet

Key Features

- OmniVision CMOS 2M Image Sensor OV2775
- Optical format: 1/2.9"
- Resolution: 1920H x 1080V
- Pixel size: 2.8 x 2.8 μm
- YUV output without compression
- OmniVision OV495 ISP included
- Support HDR
- Support Trigger mode (Optional)
- Lens: FOV H 56° / 113° / 200°
- TI953 FPD-Link III Serializer
- Connector: FAKRA Z TYPE
- Water proof: IP67
- Operation Temp: -40°C ~ 85°C
- Storage Temp: -40°C ~ 125°C
- Size: 30 x 30 mm
- Weight: 50 g
- Part#:

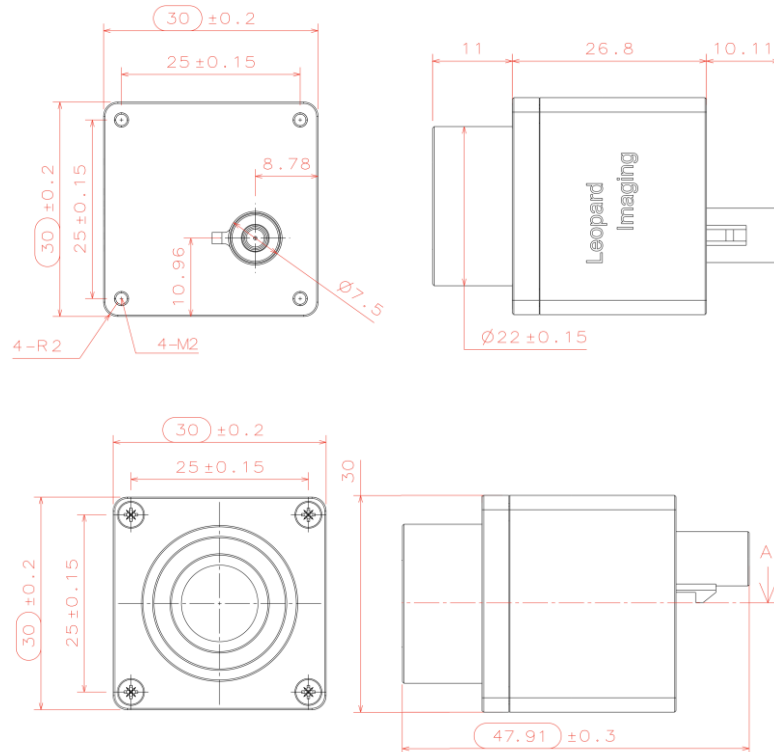
LI-OV2775-495-FPDLINKIII-xxxH



Application

- Automotive ADAS
- 1080p video applications
- ADAS + Viewing Fusion

Dimensions

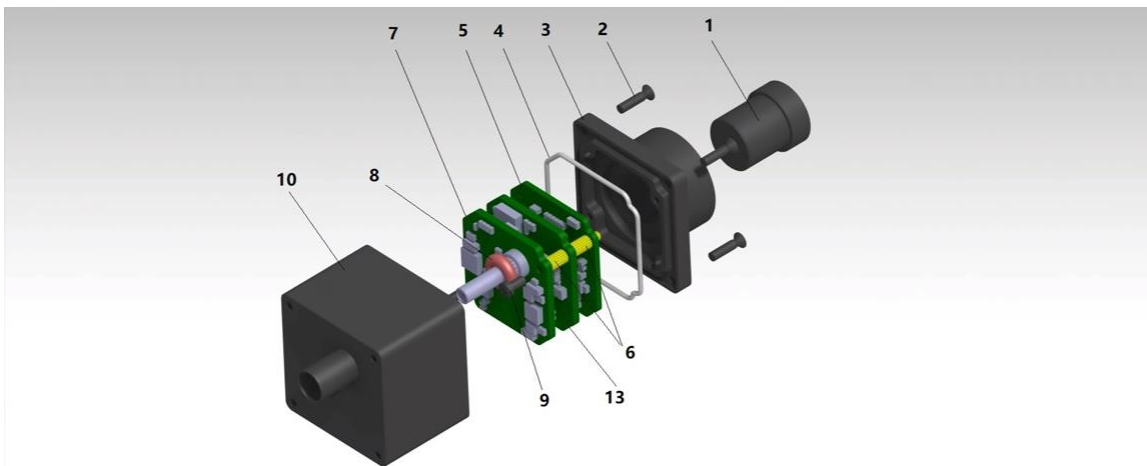


Leopard Imaging Inc.

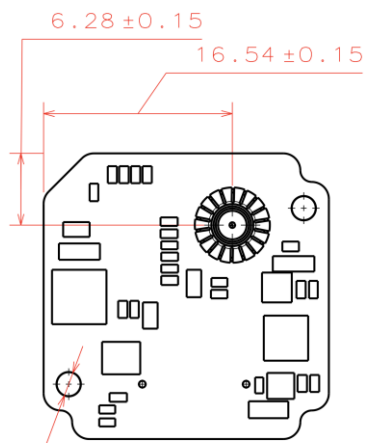
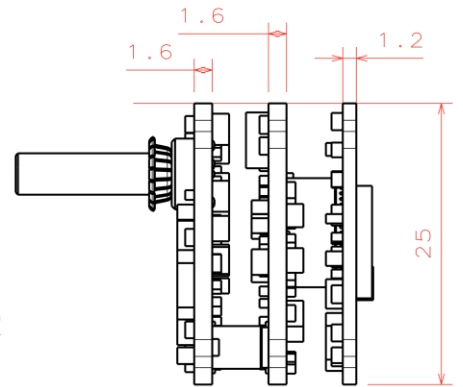
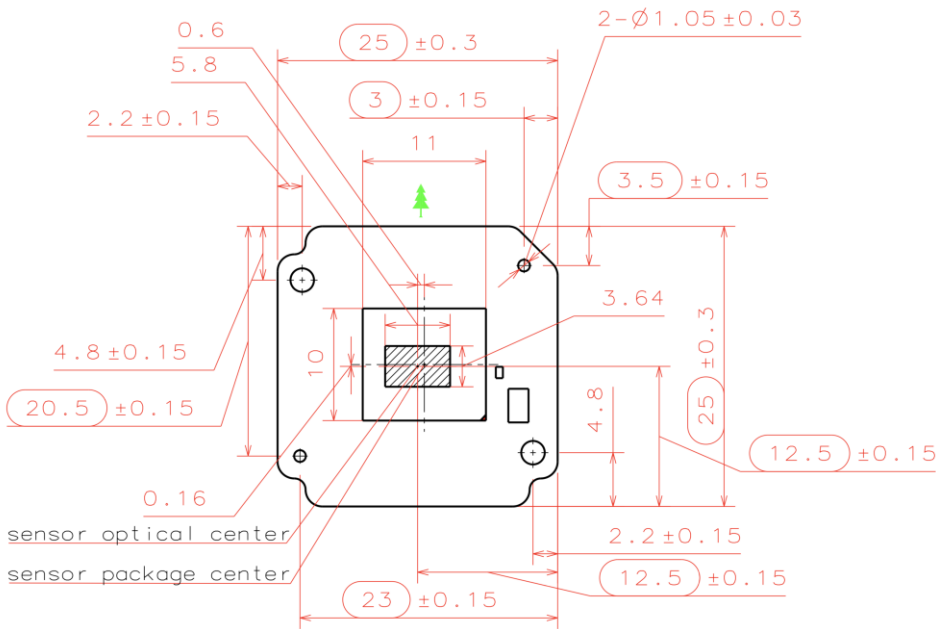
910 Auburn Ct, Fremont, CA 94538, USA
Phone: +1-408-263-0988
Fax: +1-408-217-1960
Email: sales@leopardimaging.com
Website: www.leopardimaging.com

BOM

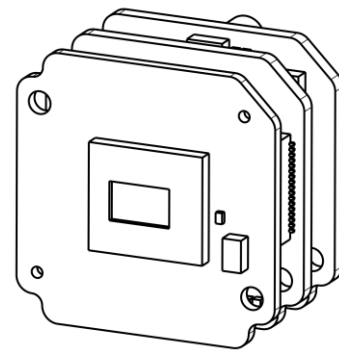
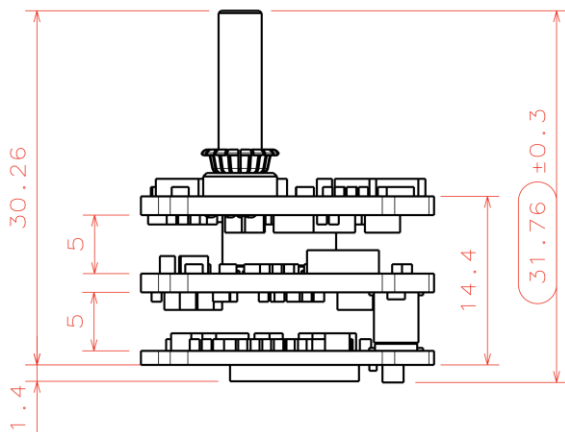
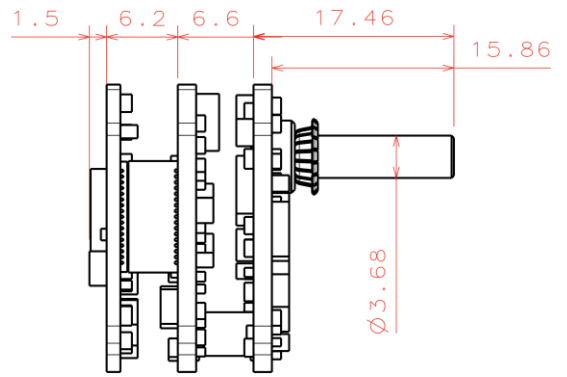
#	Name	SPEC	QTY/SET
1	Lens	M12 lens	1
2	Screw	KM2*8 black STAINLESS 304	4
3	Shell 2	AL6061-T6 BLACK Anodizing	1
4	Sealing ring	Silicon rubber, White	1
5	LI-OV2775-MIPI-FKR	OV2775 sensor board	1
6	Copper pillar	M2*5+4	4
7	LI-TI953-FKR	FPD-Link III serializer board	1
8	O ring	7*2.4 Silicon rubber Red	1
9	Screw	M2*4 black ZINC	2
10	Shell 1	AL6061-T6 BLACK Anodizing	1
13	LI-OV495-FKR	OV495 ISP board	1



Camera boards Dimensions



2-∅2.1 ± 0.05



Leopard Imaging Inc.

910 Auburn Ct, Fremont, CA 94538, USA
 Phone: +1-408-263-0988
 Fax: +1-408-217-1960
 Email: sales@leopardimaging.com
 Website: www.leopardimaging.com

Water Proof

- Metal Housing
- Water-proof M12 lens
- Sealed Gasket (White)
- Sealed O-ring (Red)

Note: The lens must be glued on camera for water-proof.



Cable Connector

- Housing Connector- FAKRA Z Type
- Cable length: 3 meters
Support single Coax Cable transmit up to 12 meters
- Cable Part#: FAK-SMZSMZ-0008
- FAKRA type connectors



Leopard Imaging Inc.




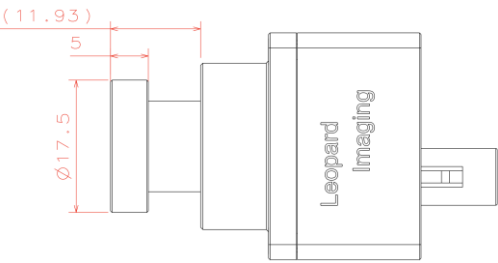
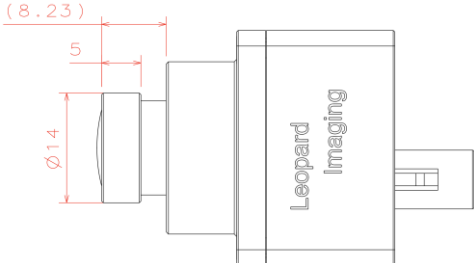
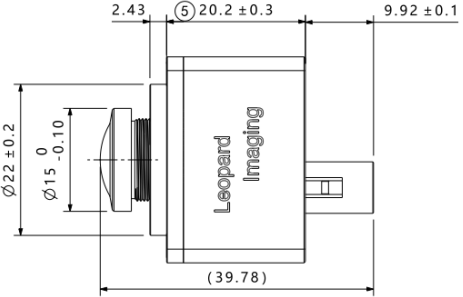
910 Auburn Ct, Fremont, CA 94538, USA
Phone: +1-408-263-0988
Fax: +1-408-217-1960
Email: sales@leopardimaging.com
Website: www.leopardimaging.com

Ordering Information

Part#: LI-OV2775-495-FPDLINKIII-xxxH

Note:

xxxH - 056H: FOV H 56°
 113H: FOV H 113°
 200H: FOV H 200°

LI-OV2775-495-FPDLINKIII-056H	LI-OV2775-495-FPDLINKIII-113H	LI-OV2775-495-FPDLINKIII-200H
		
<p>Lens EFL: 6.0 mm FOV(D): 74.5° FOV(H): 60.6° FOV(V): 36.1°</p>	<p>Lens EFL: 2.8 mm FOV(D): 148° FOV(H): 122° FOV(V): 74°</p>	<p>Lens EFL: 0.95 mm ± 5% FOV(H): 200°</p>
		



Leopard Imaging Inc.

910 Auburn Ct, Fremont, CA 94538, USA
 Phone: +1-408-263-0988
 Fax: +1-408-217-1960
 Email: sales@leopardimaging.com
 Website: www.leopardimaging.com

LI-USB30-DESER-FPDLINKIII



LI-OV2775-495-FPDLINKIII can connect to LI-USB30-DESER-FPDLINKIII as a USB 3.0 camera.

Part#: [LI-USB30-OV2775-495-FPDLINKIII-xxxH](#)

Key Features

- USB 3.0 Super Speed support
- YUV output without compression
- Support HDR
- Support Trigger mode (Optional)
- UVC compliance
- Provide customization services
- 12VDC Power Supply (Comes with camera)
- Weight: 178 g
- Single Coax Cable transmit up to 12 meter PoC(Power over Cable)
- Support 1920x1080@30fps
- Power consumption: < 175mA @ 12VDC
- Support Windows, Linux OS and other OS which include UVC drivers

SDK Supported

- Camera Tool Source Code in C#
- Capture & Display



Leopard Imaging Inc.

910 Auburn Ct, Fremont, CA 94538, USA
Phone: +1-408-263-0988
Fax: +1-408-217-1960
Email: sales@leopardimaging.com
Website: www.leopardimaging.com

Revision History

Revision	Description	Release Date
1.0	First Release	30. Sep. 2019
1.1	Deleted lens model info.	11. Aug. 2023



Leopard Imaging Inc.

910 Auburn Ct, Fremont, CA 94538, USA
Phone: +1-408-263-0988
Fax: +1-408-217-1960
Email: sales@leopardimaging.com
Website: www.leopardimaging.com