



LEOPARD
IMAGING

LI-OV2312-FPDLINKIII-xxxH

Data Sheet

Key Features

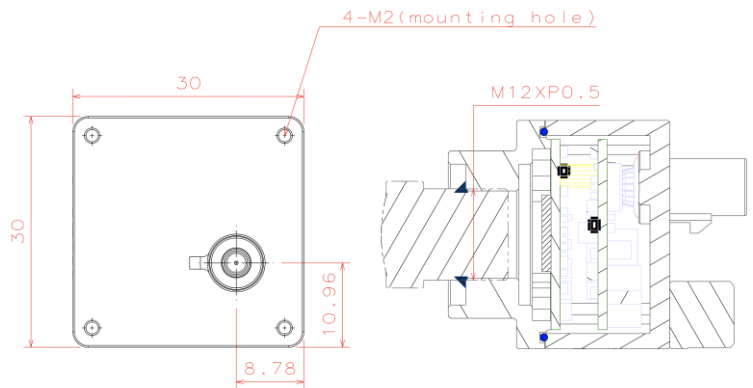
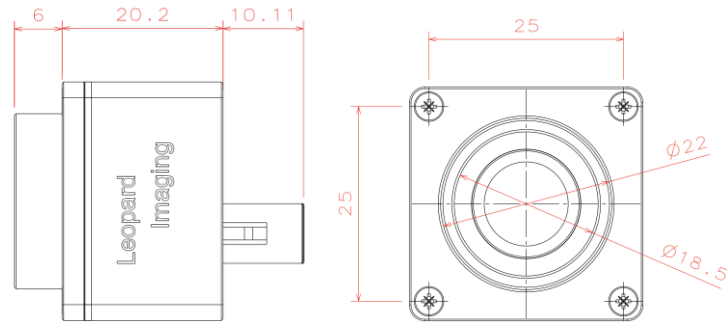
- OmniVision CMOS 2M RGB-IR Image Sensor OV2312
- Optical Format: 1/2.9"
- Resolution: 1600 (H) x 1300 (V)
- Pixel Size: 3.0 x 3.0 um
- Supports global shutter
- RGB-IR sensor
- Outputs 10-bit RAW data
- Supports 9 ~ 19 VDC Power
- Lens: FOV H 110°
- TI953 FPD-Link III serializer
- Connector: FAKRA Z TYPE
- IP Rating: IPX9K
- Operating Temp: -40°C ~ 85°C
- Storage Temp: -40°C ~ 125°C
- Size: 30 (L) x 30 (W) x 29.2 (D) mm
- Weight: ~ 45 g
- Part#: **LI-OV2312-FPDLINKIII-xxxH**



Application

- In-Cabin Monitoring
- Driver Monitoring System (DMS)
- Video Conferencing

Dimensions

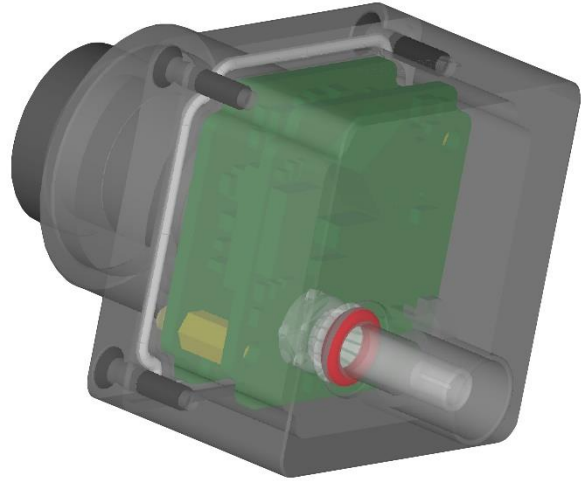


Leopard Imaging Inc.

910 Auburn Ct, Fremont, CA 94538, USA
 Phone: +1-408-263-0988
 Fax: +1-408-217-1960
 Email: sales@leopardimaging.com
 Website: www.leopardimaging.com

Water Proof

- Metal Housing
- Water-proof M12 lens
- Sealed Gasket (White)
- Sealed O-ring (Red)



Cable Connector

- Housing Connector- FAKRA Z Type
- Cable length: 3 meters
Support single Coax Cable transmit up to 12 meters
- Cable Part#: FAK-SMZSMZ-3M
- FAKRA type connectors



Leopard Imaging Inc.

910 Auburn Ct, Fremont, CA 94538, USA
Phone: +1-408-263-0988
Fax: +1-408-217-1960
Email: sales@leopardimaging.com
Website: www.leopardimaging.com

Ordering Information

Part#: LI-OV2312-FPDLINKIII-xxxH

NOTE:

xxxH - 110H: FOV H 110°



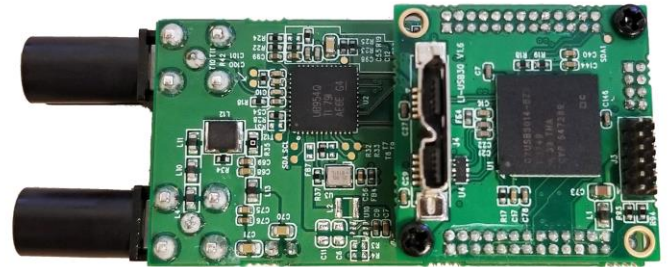
Leopard Imaging Inc.

910 Auburn Ct, Fremont, CA 94538, USA
Phone: +1-408-263-0988
Fax: +1-408-217-1960
Email: sales@leopardimaging.com
Website: www.leopardimaging.com

LI-FPDLINKIII-USB



Front View



Back View

LI-OV2312- FPDLINKIII-xxxH can connect to LI-FPDLINKIII-USB a USB 3.0 camera.
Part#: **LI-USB30-OV2312-FPDLINKIII-xxxH**

Key Features

- USB 3.0 Super Speed support
- RAW data output without compression
- UVC compliant
- Allows customization
- 12 VDC Power Supply
- Weight: ~ 86 g
- Single Coax Cable transmits up to 12 meter PoC(Power over Cable)
- Resolution: 1600 x 1300 @ 30 fps
- Power consumption: TBD
- Compatible with Windows, Linux OS and other OS which have UVC drivers.



SDK Supported

- Camera Tool Source Code in C#
- Capture & Display
- Save file as BMP & RAW format



Revision History

Revision	Description	Release Date
1.0	First Release	9. Jul. 2020
1.1	Change the HFOV 104° to 110° lens	7. Mar. 2021
1.2	Updated USB30 tester pic.	18. Oct. 2022



Leopard Imaging Inc.

910 Auburn Ct, Fremont, CA 94538, USA
Phone: +1-408-263-0988
Fax: +1-408-217-1960
Email: sales@leopardimaging.com
Website: www.leopardimaging.com