

LI-OS02C10-MIPI-M12

Data Sheet

Key Features

- OmniVision 1/2.8" HDR Image Sensor OS02C10 with PureCel®Plus-S technology and Nyxel™ technologies
- Active array size: 1920 (H) x 1080 (V)
- Pixel size: 2.9 x 2.9 μm
- Color sensor
- Rolling shutter
- Pixel data: 12-bit RAW RGB
- QE enhancement in NIR range
- High dynamic range
- High sensitivity
- Interface: MIPI output
- Supports M12 lens
- Module size: 38 x 38 mm
- Weight: ~ 12 g
- Part#: **LI-OS02C10-MIPI-M12**



Lens Spec

- Focal Length: 3.7 mm
- Aperture, F/#: 2.8 +/- 5%
- Built in 650 nm IR cut filter
- FOV (D/ H / V): 85.7° / 75.2° / 48.5°
- TV Distortion: -1.0 %
- Mount: M12 x P0.5

Applications

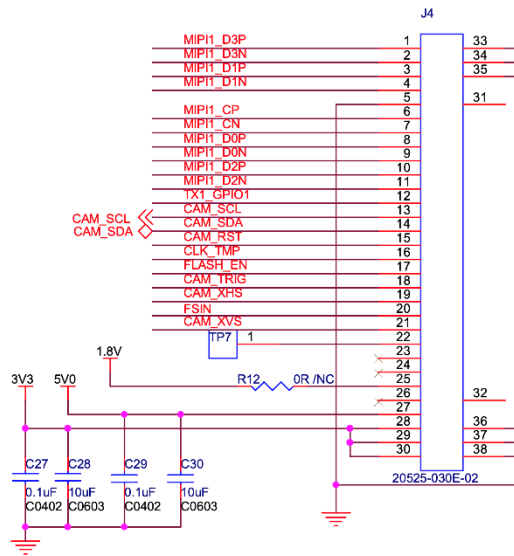
- Security camera
- Action camera
- High resolution consumer camera



Interfaces

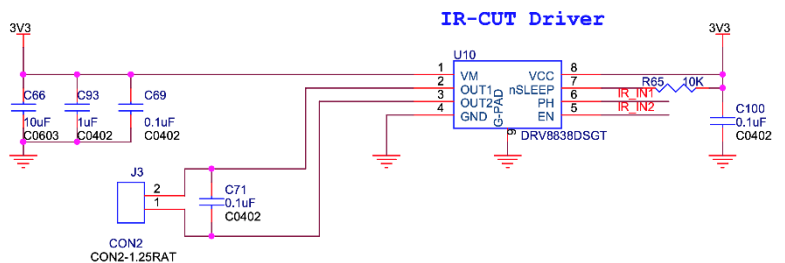
Interface J4:

- Part#: 20525-030E-02
- Number of Positions: 30
- Pitch: 0.4 mm
- Mating I-PEX cable: LI-FAW-1233



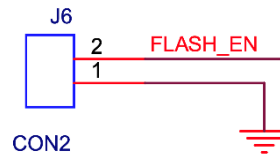
Interface J3:

- Part#: 1734829-2
- Number of Positions: 2
- Pitch: 1.25 mm

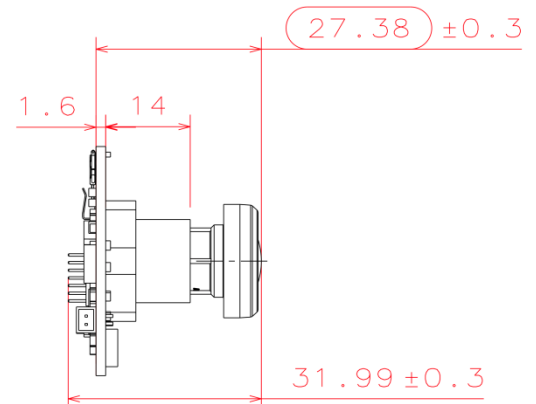
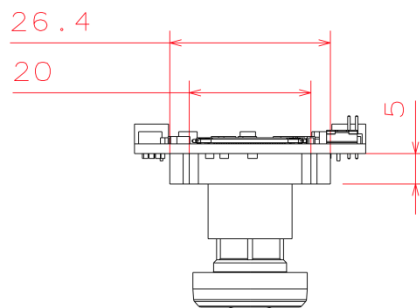
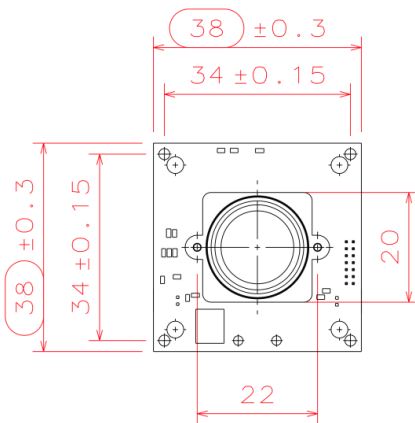


Interface J6:

- Part#: 1734829-2
- Number of Positions: 2
- Pitch: 1.25 mm



Dimensions



Revision History

| Revision | Description | Release Date |
|----------|---------------------------------------|---------------|
| 1.0 | First Release | 12. Mar. 2020 |
| 1.1 | Deleted info quoted from sensor spec. | 27. May. 2022 |
| 1.2 | Deleted lens model info. | 25. Jul. 2023 |

