

Key Features

- OmniVision 1/2.8" HDR Image Sensor OS02C10 with PureCel®Plus-S technology and Nyxel™ technologies
- Active array size: 1920 (H) x 1080 (V)
- Pixel size: 2.9 x 2.9 μm
- Color sensor
- Rolling shutter
- Pixel data: 12-bit RAW RGB
- QE enhancement in NIR range
- High dynamic range
- High sensitivity
- Interface: MIPI output
- Support CS lens
- Module size: 38 x 38 mm
- Weight: ~ 56 g
- Part#: **LI-OS02C10-MIPI-CS**

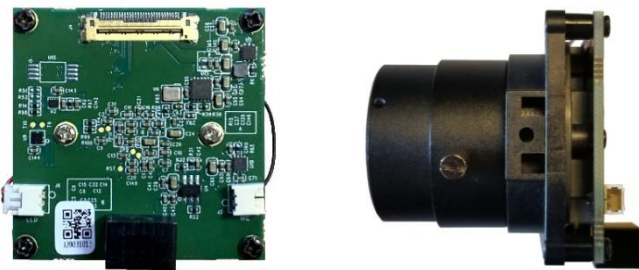


Lens Spec

- Focal Length: 5.0 mm
- Aperture, F/#: 2.2
- Built in 650 nm IR cut filter
- FOV (D / H / V): 80.4° / 70.3° / 40°
- TV Distortion: < -8%
- Mount Type: CS

Applications

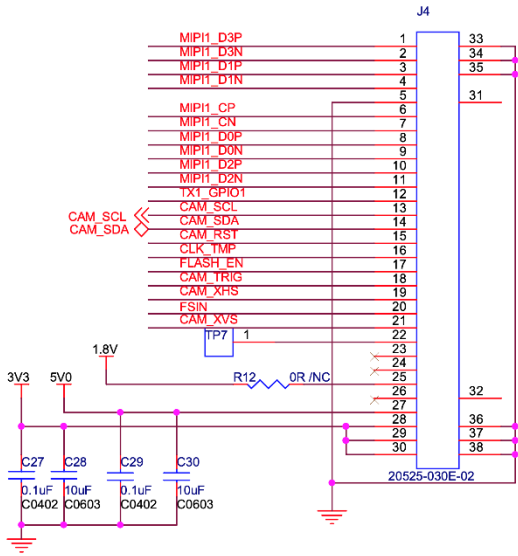
- Security camera
- Action camera
- High resolution consumer camera



Interfaces

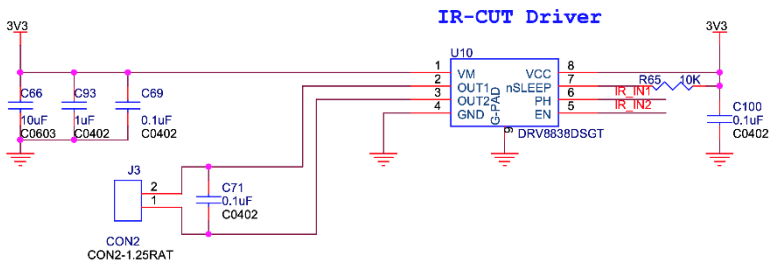
Interface J4:

- Part#: 20525-030E-02C
- Number of Positions: 30
- Pitch: 0.4 mm
- Mating I-PEX cable: LI-FAW-1233



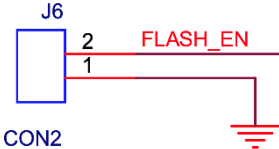
Interface J3:

- Part#: 1734829-2
- Number of Positions: 2
- Pitch: 1.25 mm

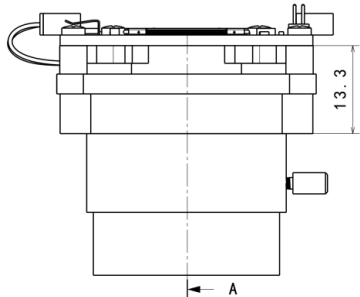
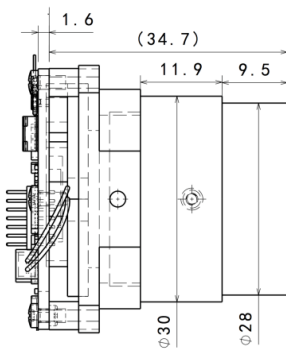
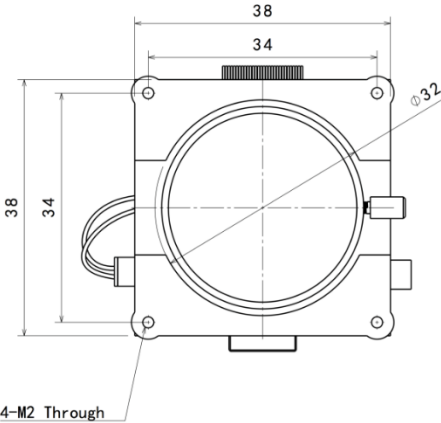


Interface J6:

- Part#: 1734829-2
- Number of Positions: 2
- Pitch: 1.25 mm



Dimensions



Leopard Imaging Inc.

910 Auburn Ct, Fremont, CA 94538, USA
 Phone: +1-408-263-0988
 Fax: +1-408-217-1960
 Email: sales@leopardimaging.com
 Website: www.leopardimaging.com

Revision History

Revision	Description	Release Date
1.0	First release.	12. Mar. 2020
1.1	Deleted info quoted from sensor spec.	27. May. 2022
1.2	Deleted lens model info.	25. Jul. 2023



Leopard Imaging Inc.

910 Auburn Ct, Fremont, CA 94538, USA
Phone: +1-408-263-0988
Fax: +1-408-217-1960
Email: sales@leopardimaging.com
Website: www.leopardimaging.com