

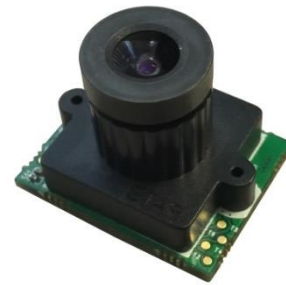


LI-IMX290-MIPI

Data Sheet

Key Features

- Sony Diagonal 6.46 mm (Type 1/2.8) CMOS Image Sensor IMX290
- Active pixels: 1945 (H) x 1109 (V)
- Pixel size: 2.9 x 2.9 μm
- Color sensor
- Interface: MIPI output
- Supports M12 lens
- Module size: 27 x 21.5 mm
- Weight: ~ 14 g
- Part#: **LI-IMX290-MIPI**



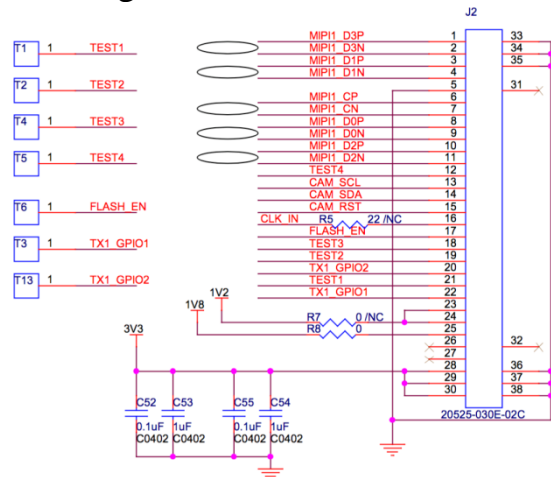
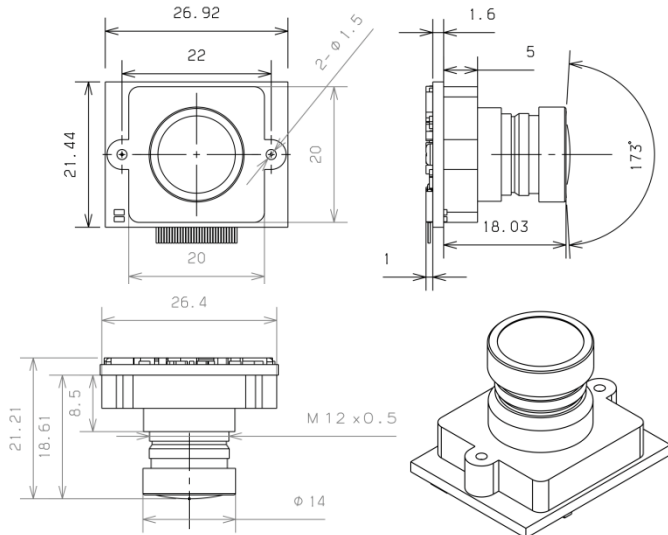
Lens Spec

- Focal Length: 3.98 mm +/- 5%
- Aperture, F/#: 2.3 +/- 5%
- Built in 650 nm IR cut filter
- FOV (D / H / V): 96° / 82.4° / 46°
- TV Distortion: < 12%
- Mount: M12 x P0.5

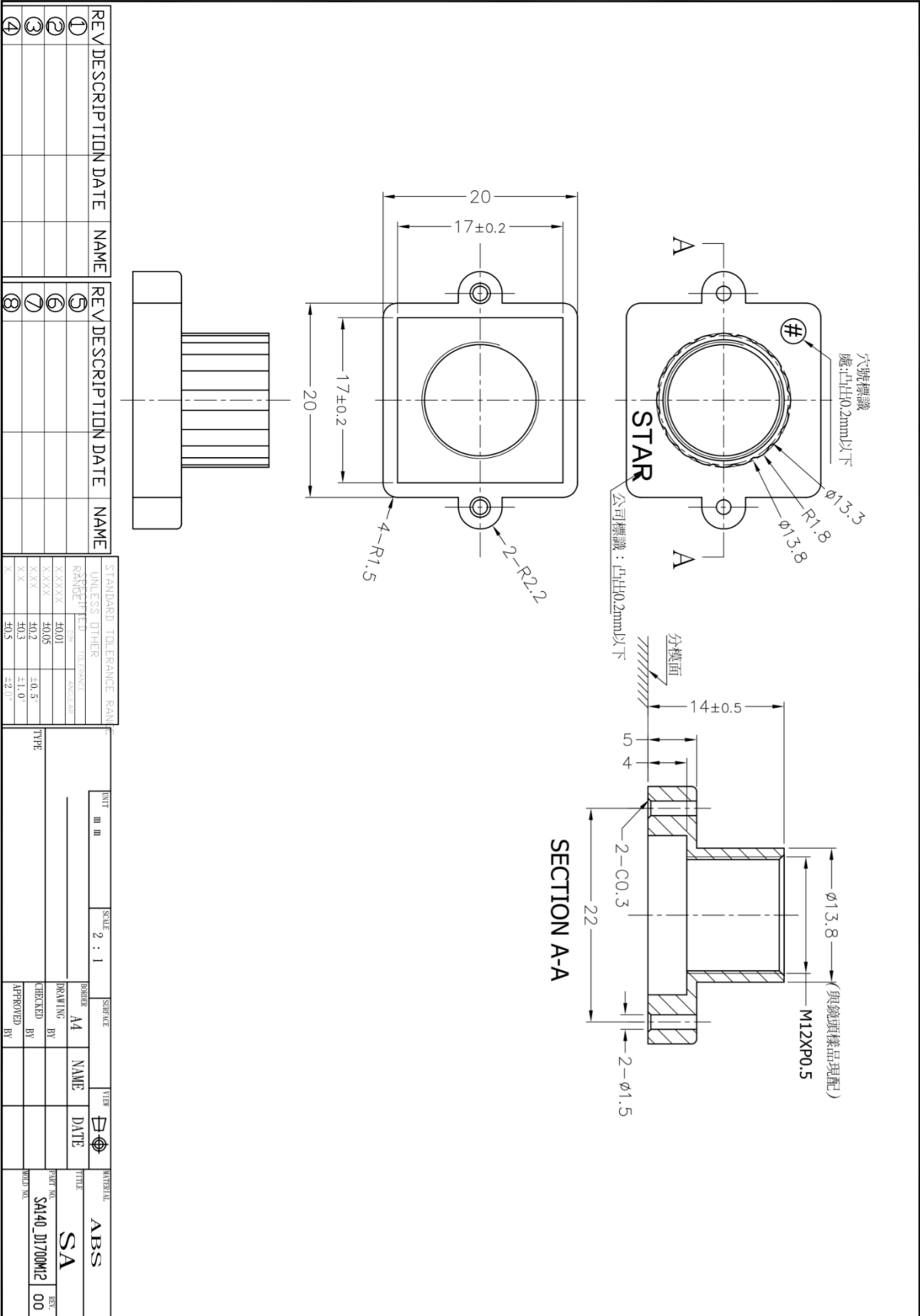
Interfaces

- Part#: 20525-030E-02C
- Number of Positions: 30
- Mating Cable: FAW-1233-xx

Dimensions



SA140 Lens Mount Spec



REV	DESCRIPTION	DATE	NAME	REV	DESCRIPTION	DATE	NAME
①				⑤			
②				⑥			
③				⑦			
④				⑧			

STANDARD TOLERANCE RAN		UNLESS OTHER	
RANGE	TOLERANCE	RANGE	TOLERANCE
X.XXXXX	± 0.01	X.XXXXX	± 0.05
X.XXX	± 0.05	X.XXX	± 0.5
X.XX	± 0.2	X.XX	± 1.0
X.X	± 0.3	X	± 2.0
X	± 0.5		

UNIT	SCALE	SINCE	VIEW	MATERIAL
mm	2 : 1			ABS

DRIVING BY	CHECKED BY	APPROVED BY	DATE	TITLE
M				SA

PART NO.	REV.
SA140_01700MC2	00



Leopard Imaging Inc.

910 Auburn Ct, Fremont, CA 94538, USA
 Phone: +1-408-263-0988
 Fax: +1-408-217-1960
 Email: sales@leopardimaging.com
 Website: www.leopardimaging.com

Revision History

Revision	Description	Release Date
1.0	First release.	20. Sep. 2018
1.1	Deleted info quoted from sensor spec.	26. May. 2022
1.2	Deleted lens model info.	24. Jul. 2023



Leopard Imaging Inc.

910 Auburn Ct, Fremont, CA 94538, USA
Phone: +1-408-263-0988
Fax: +1-408-217-1960
Email: sales@leopardimaging.com
Website: www.leopardimaging.com