



LEOPARD
IMAGING

LI-AR0234-GMSL2-xxxH

Data Sheet

Key Features

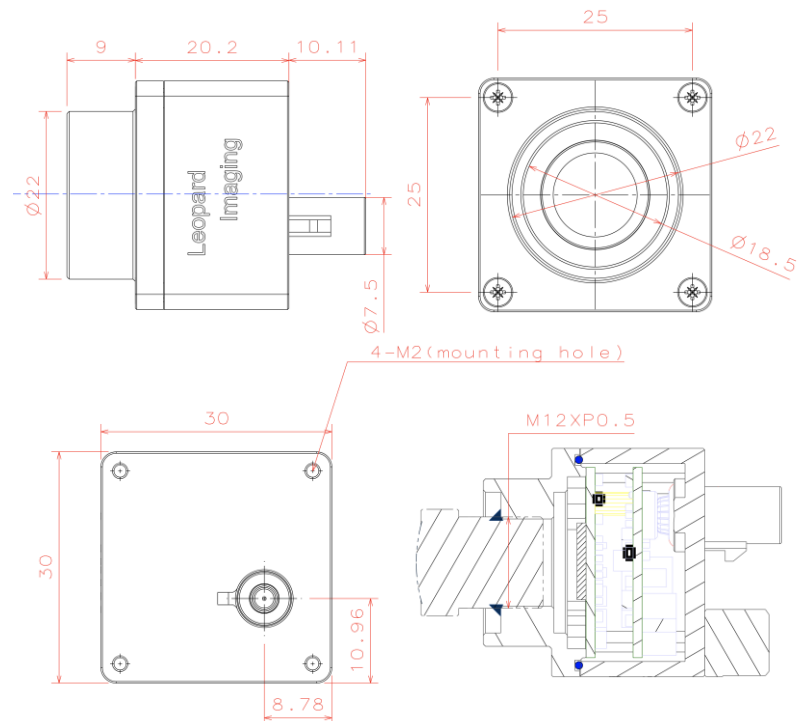
- ON SEMI 2.6MP CMOS Image Sensor AR0234AT
- Optical format: 1/2.6"
- Maximum resolution: 1920H x 1200V
- Pixel size: 3.0 x 3.0 μm
- Output RAW data
- Monochrome sensor
- Global shutter
- Support 9V ~ 19V Power
- Lens: HFOV 60° / 120°
- GMSL2 Serializer
- Connector: FAKRA Z TYPE
- Water proof: IP67
- Operation Temp: -40°C ~ +85°C
- Storage Temp: -40°C ~ +125°C
- Size: 30.0 (L) x 30.0 (W) mm
- Weight: 45 g
- Part#: **LI-AR0234-GMSL2-xxxH**



Application

- Automotive ADAS
- Gesture Recognition
- Iris Scanning
- Augmented Reality

Dimensions

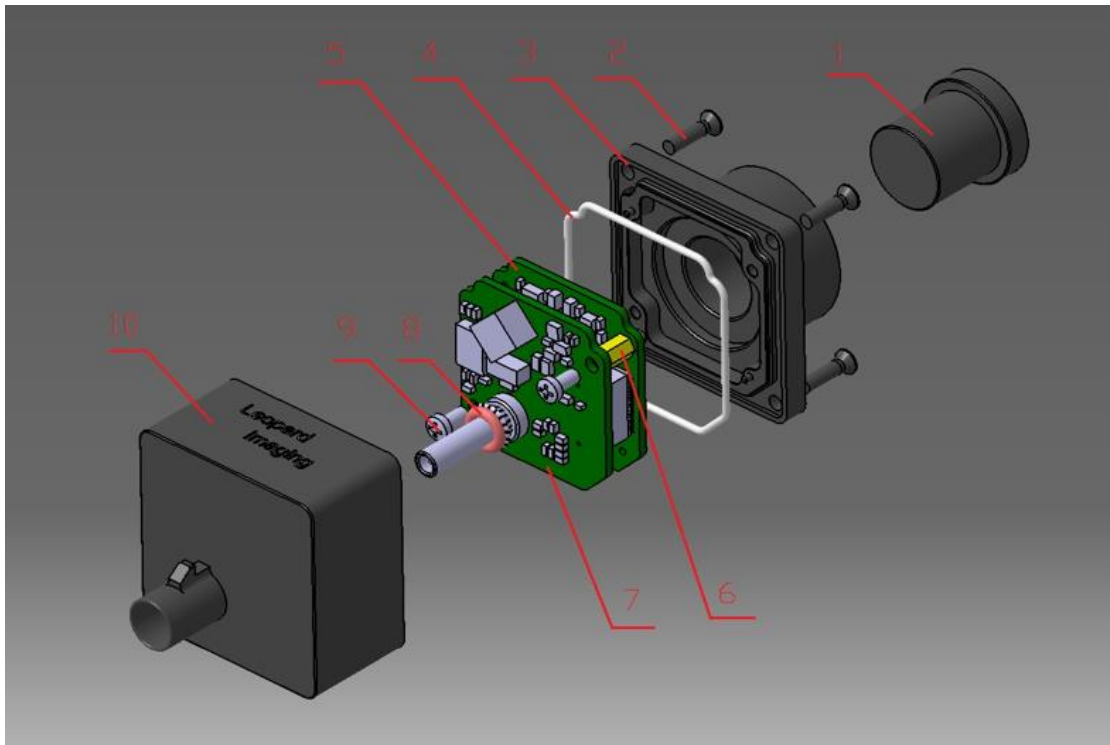


Leopard Imaging Inc.

910 Auburn Ct, Fremont, CA 94538, USA
 Phone: +1-408-263-0988
 Fax: +1-408-217-1960
 Email: sales@leopardimaging.com
 Website: www.leopardimaging.com

BOM

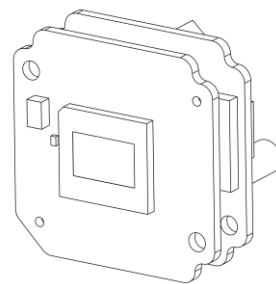
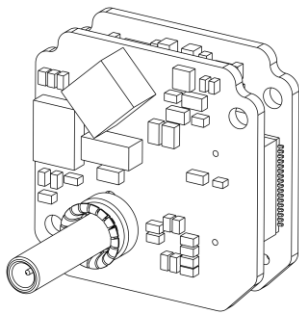
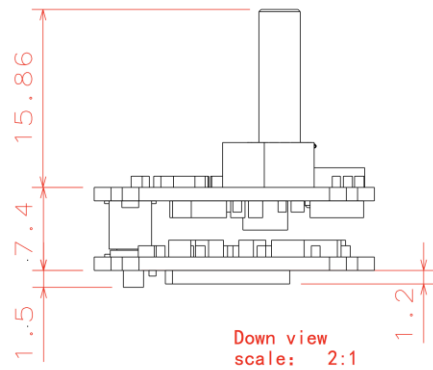
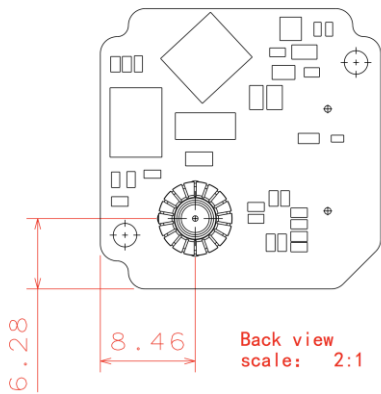
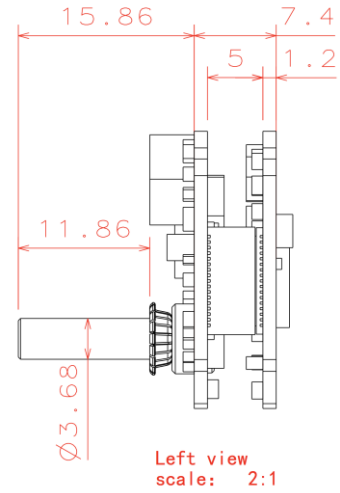
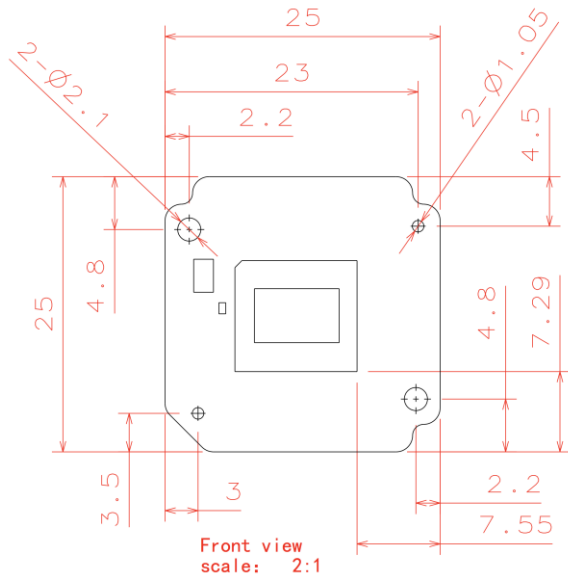
#	Name	SPEC	QTY/SET
1	Lens	M12	1
2	Screw	M2*8 cross flat head black ZINC	4
3	Shell 2	AL6061-T6 BLACK Anodizing	1
4	Sealing ring	Silicon rubber, White	1
5	LI-AR0234- MIPI-FKR	AR0234 sensor board	1
6	Copper pillar	M2*5+3	2
7	LI-GMSL2-FKR	GMSL2 board	1
8	O ring	6.5*1.5 Silicon rubber Red	1
9	Screw	M2*4 cross pan head black ZINC	2
10	Shell 1	AL6061-T6 BLACK Anodizing	1



Leopard Imaging Inc.

910 Auburn Ct, Fremont, CA 94538, USA
 Phone: +1-408-263-0988
 Fax: +1-408-217-1960
 Email: sales@leopardimaging.com
 Website: www.leopardimaging.com

Camera boards Dimensions



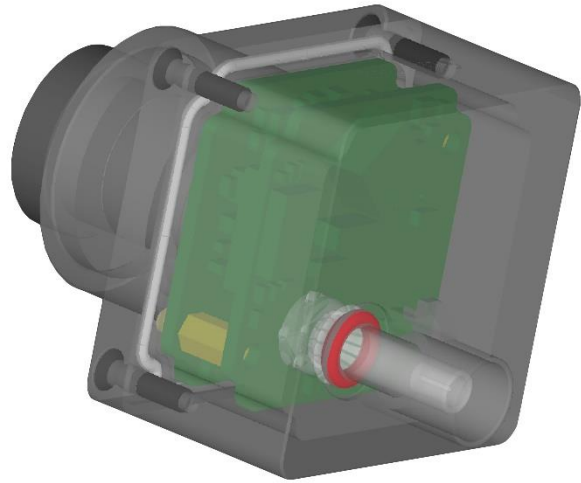
Leopard Imaging Inc.

910 Auburn Ct, Fremont, CA 94538, USA
 Phone: +1-408-263-0988
 Fax: +1-408-217-1960
 Email: sales@leopardimaging.com
 Website: www.leopardimaging.com

Water Proof

- Metal Housing
- Water-proof M12 lens
- Sealed Gasket (White)
- Sealed O-ring (Red)

Note: The lens must be glued for water-proof.



Cable Connector

- Housing Connector- FAKRA Z Type
- Cable length: 3 meters
Support single Coax Cable transmit up to 12 meters
- Cable Part#: FAK-SMZSMZ-3M
- FAKRA type connectors



Leopard Imaging Inc.

910 Auburn Ct, Fremont, CA 94538, USA
Phone: +1-408-263-0988
Fax: +1-408-217-1960
Email: sales@leopardimaging.com
Website: www.leopardimaging.com

Ordering Information

Part#: LI-AR0234-GMSL2-xxxH

Note:

xxxH - 060H: FOV H 60°
 120H: FOV H 120°

LI-AR0234-GMSL2-060H	LI-AR0234-GMSL2-120H
	
<p>Lens EFL: 6.0 mm F/#: 1.8 FOV(H): 60° IR cut filter: No Mount: M12</p>	<p>Lens EFL: 2.8 mm F/#: 2.0 FOV(H): 121° IR cut filter: No Mount: M12</p>
	



Leopard Imaging Inc.

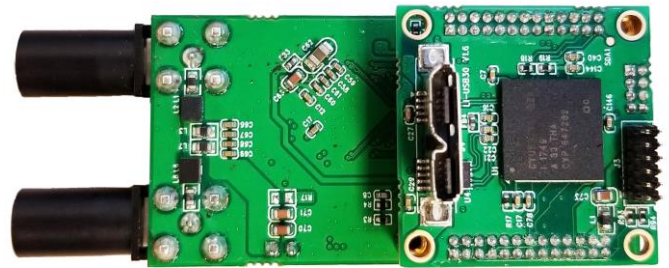
910 Auburn Ct, Fremont, CA 94538, USA
 Phone: +1-408-263-0988
 Fax: +1-408-217-1960
 Email: sales@leopardimaging.com
 Website: www.leopardimaging.com

LI-GMSL2-DESER



Front View

LI-USB30-CNTL



Back View

LI-AR0234-GMSL2 can connect to USB 3.0 EVA module as a USB 3.0 camera.

Part#: **LI-USB30-AR0234-GMSL2-xxxH**

Key Features

- USB 3.0 Super Speed support
- RAW data output without compression
- UVC compliant
- Allows customization
- 12VDC Power supply
- Weight: 86 g
- Single Coax Cable transmit up to 12 meter PoC(Power over Cable)
- Support 1920 x 1080 @ 60 fps
- Power consumption: TBD
- Support Windows, Linux OS and other OS which include UVC drivers

SDK Supported

- Camera Tool Source Code in C#
- Capture & Display
- Save file as BMP & RAW format
- Support register access function



Revision History

Revision	Description	Release Date
1.0	First Release.	8. Mar. 2020
1.1	Deleted lens model info.	11. Aug. 2023

