

Key Features

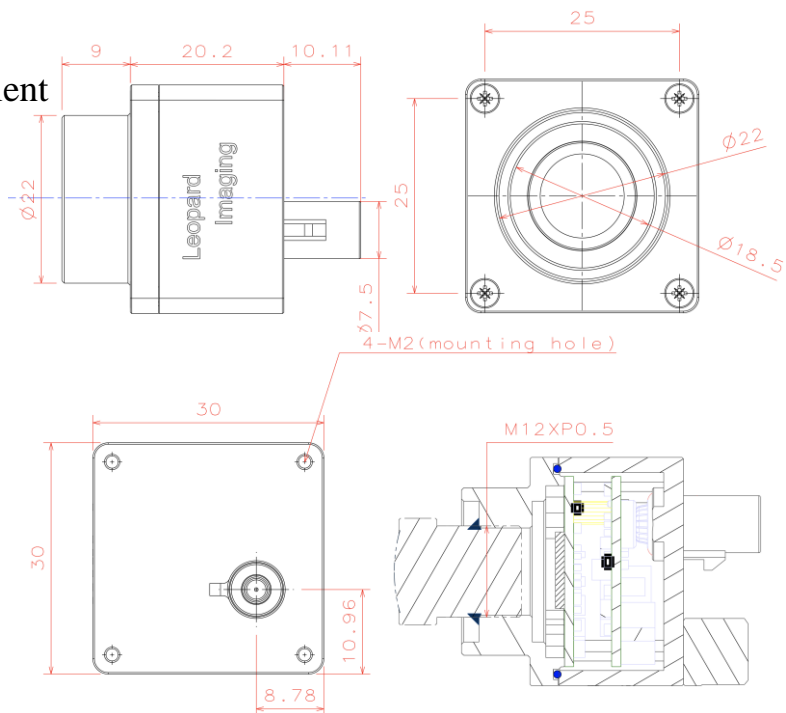
- OmniVision CMOS 2M Image Sensor OV2311
- Optical format: 1/2.9"
- Number of active pixels: 1600H x 1300V
- Pixel size: 3.0 x 3.0 μm
- Support Global shutter
- Monochrome sensor
- Output 10 bit Raw data
- Support 12V Power
- Lens: HFOV 50° /100° /200°
- GMSL2 Serializer
- Connector: FAKRA Z TYPE
- Water proof: IP67
- Operation Temp: -40°C ~ 105°C ambient temp; -40°C ~ 125°C junction temp
- Size: 30 x 30 x 29.2 mm
- Weight: 45 g
- Part#: **LI-OV2311-GMSL2-xxxH**



Application

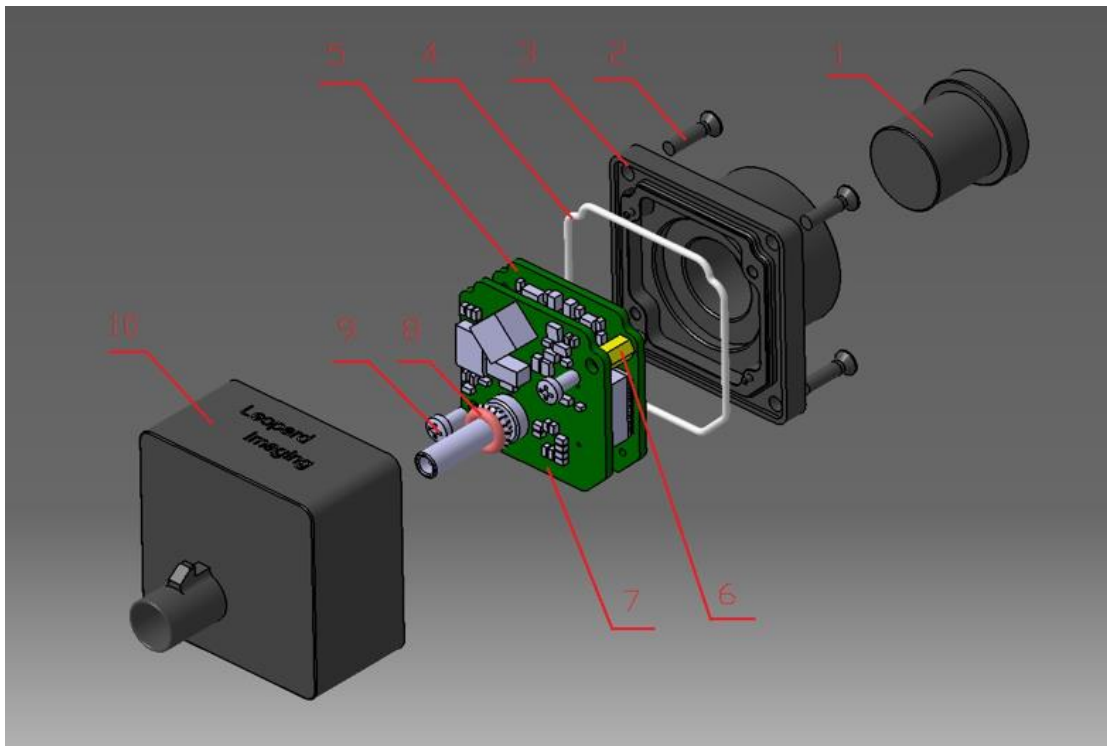
- Autonomous driving
- Camera monitoring system
- Industrial bar code scanning

Dimensions



BOM

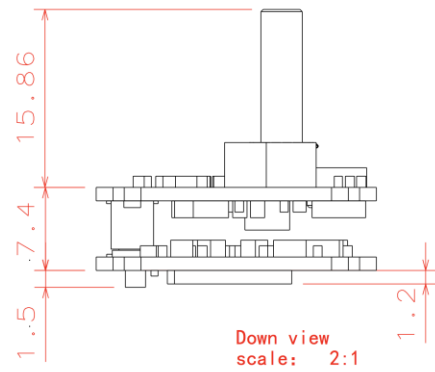
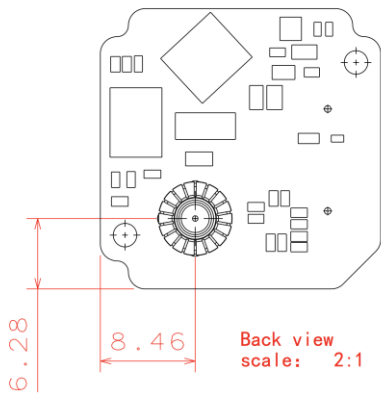
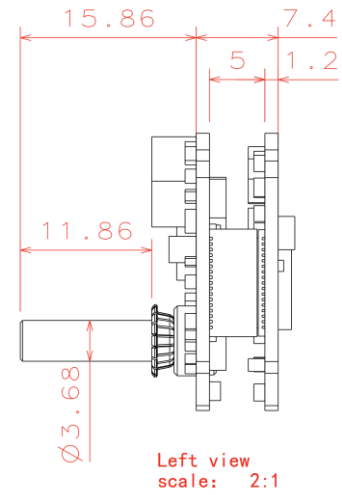
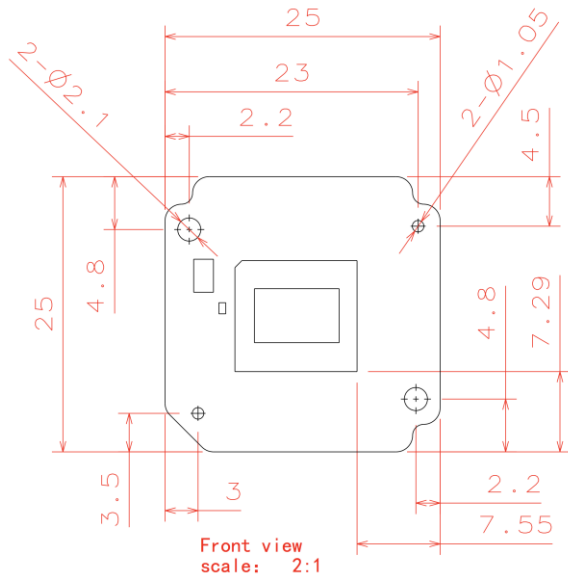
#	Name	SPEC	QTY/SET
1	Lens	M12 lens	1
2	Screw	M2*8 cross flat head black ZINC	4
3	Shell 2	AL6061-T6 BLACK Anodizing	1
4	Sealing ring	Silicon rubber, White	1
5	LI-OV2311-MIPI-FKR	OV2311 sensor board	1
6	Copper pillar	M2*5+3	2
7	LI-GMSL2-FKR	GMSL2 board	1
8	O ring	6.5*1.5 Silicon rubber Red	1
9	Screw	M2*4 cross pan head black ZINC	2
10	Shell 1	AL6061-T6 BLACK Anodizing	1



Leopard Imaging Inc.

910 Auburn Ct, Fremont, CA 94538, USA
 Phone: +1-408-263-0988
 Fax: +1-408-217-1960
 Email: sales@leopardimaging.com
 Website: www.leopardimaging.com

Camera boards Dimensions

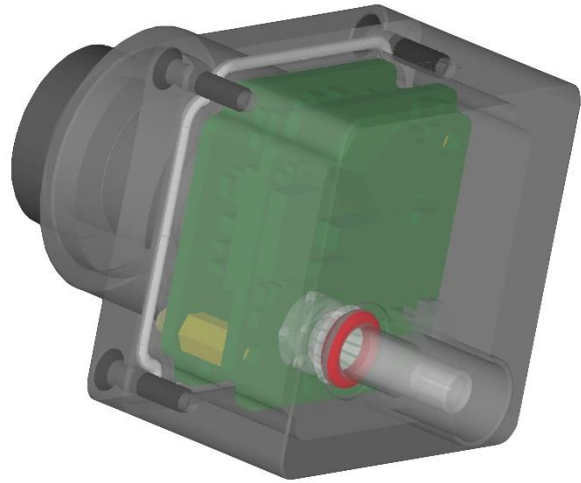


Leopard Imaging Inc.

910 Auburn Ct, Fremont, CA 94538, USA
 Phone: +1-408-263-0988
 Fax: +1-408-217-1960
 Email: sales@leopardimaging.com
 Website: www.leopardimaging.com

Water Proof

- Metal Housing
- Water-proof M12 lens
- Sealed Gasket (White)
- Sealed O-ring (Red)



Cable Connector

- Housing Connector- FAKRA Z Type
- Cable length: 3 meters
Support single Coax Cable transmit up to 15 meters
- Cable Part#: FAK-SMZSMZ-0008
- FAKRA type connectors



Leopard Imaging Inc.




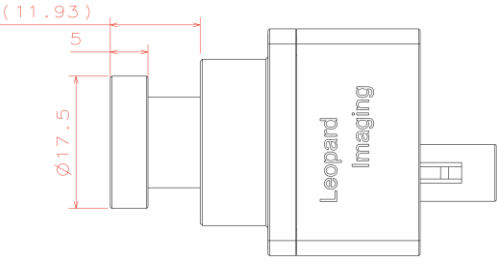
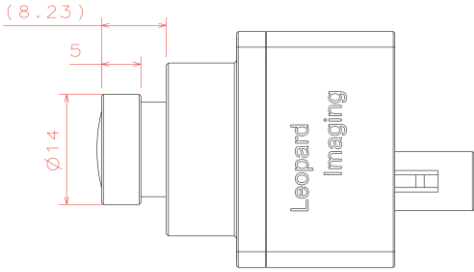
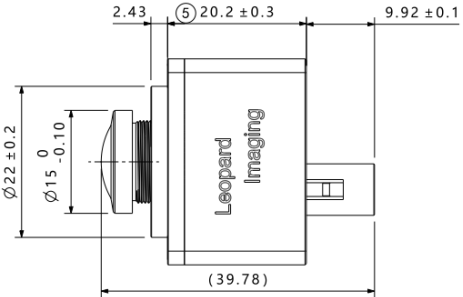
910 Auburn Ct, Fremont, CA 94538, USA
Phone: +1-408-263-0988
Fax: +1-408-217-1960
Email: sales@leopardimaging.com
Website: www.leopardimaging.com

Ordering Information

Part#: LI-OV2311-GMSL2-xxxH

Note:

xxxH - 050H: FOV H 50°
 100H: FOV H 100°
 200H: FOV H 200°

LI-OV2311-GMSL2-050H	LI-OV2311-GMSL2-100H	LI-OV2311-GMSL2-200H
		
<p>Lens EFL: 6.0 mm FOV(D): 67° FOV(H): 51° FOV(V): 41°</p>	<p>Lens EFL: 2.8 mm FOV(D): 130° FOV(H): 101° FOV(V): 82°</p>	<p>Lens EFL: 0.95 mm ± 5% FOV(H): 200°</p>
		



Leopard Imaging Inc.

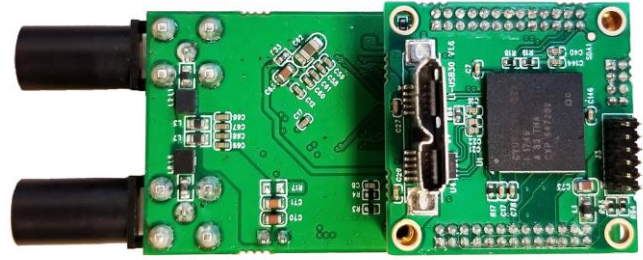
910 Auburn Ct, Fremont, CA 94538, USA
 Phone: +1-408-263-0988
 Fax: +1-408-217-1960
 Email: sales@leopardimaging.com
 Website: www.leopardimaging.com

LI-GMSL2-DESER



Front View

LI-USB30-CNTL



Back View

LI-OV2311-GMSL2-xxxH can connect to USB 3.0 EVA module as a USB 3.0 camera.
Part#: **LI-USB30-OV2311-GMSL2-xxxH**

Key Features

- USB 3.0 Super Speed support
- RAW data output without compression
- UVC compliance
- Provide customization services
- 12VDC Power Supply
- Weight: 86 g
- Single Coax Cable transmit up to 15 meter PoC(Power over Cable)
- Support 1600x1300@30fps
- Power consumption: TBD
- Support Windows, Linux OS and other OS which include the UVC drivers.

SDK Supported

- Camera Tool Source Code in C#
- Capture & Display
- Save file as BMP & RAW format
- Register access function



Revision History

Revision	Description	Release Date
1.0	First Release.	17. Jun. 2018
1.1	Deleted lens model info.	10. Aug. 2023

