



LEOPARD
IMAGING

LI-OV2311-FPDLINKIII-xxxH

Data Sheet

Key Features

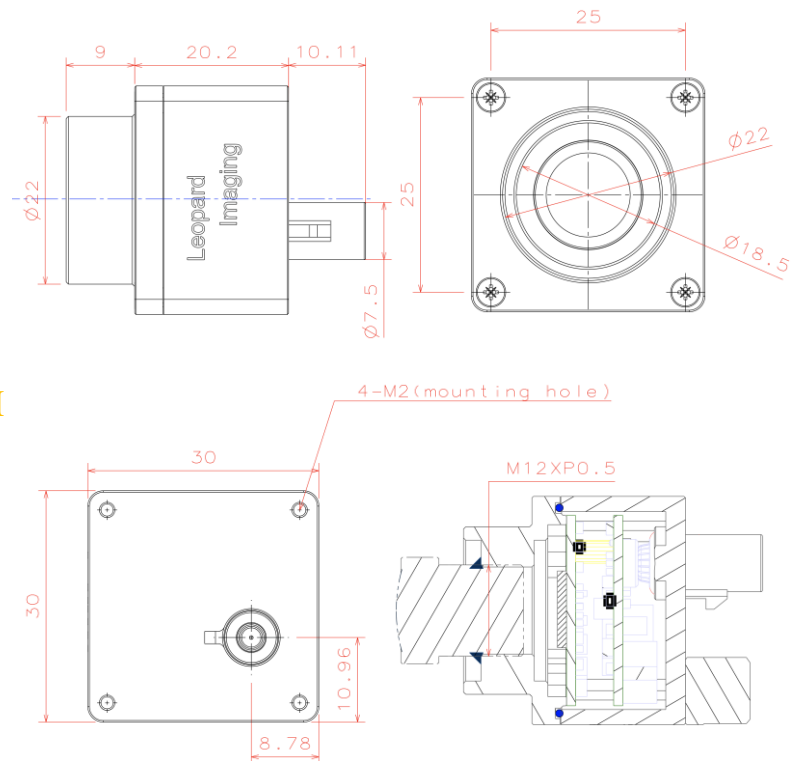
- OmniVision CMOS 2M Image Sensor OV2311
- Optical format: 1/2.9"
- Maximum resolution: 1600H x 1300V
- Pixel size: 3.0 x 3.0 μm
- Support Global shutter
- Monochrome sensor
- Output 10 bit Raw data
- Support 9V ~ 19V Power
- Lens: FOV H 50° /100° /200°
- TI953 FPD-Link III serializer
- Connector: FAKRA Z TYPE
- Water proof: IP67
- Operation Temp: -40°C ~ +85°C
Ambient temp: -40°C ~ +125°C
junction temp
- Size: 30.0 (L) x 30.0 (W) mm
- Weight: 45 g
- Part#: **LI-OV2311-FPDLINKIII-xxxH**



Application

- Autonomous driving
- Camera monitoring system
- Industrial bar code scanning

Dimensions

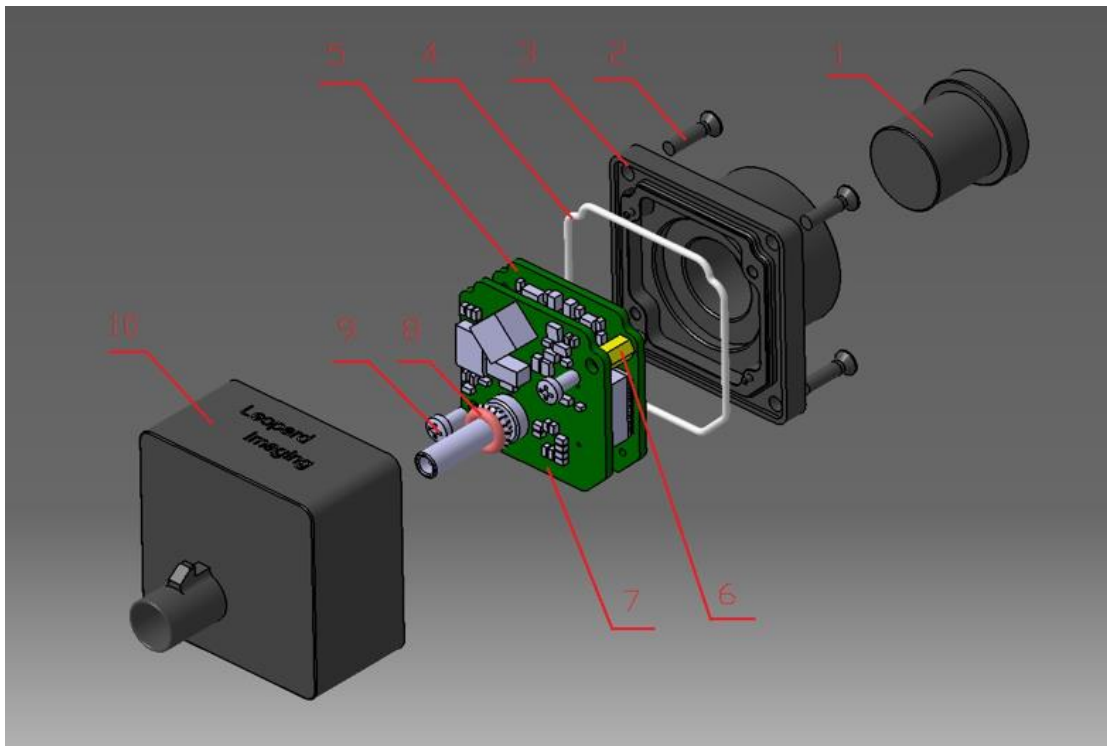


Leopard Imaging Inc.

910 Auburn Ct, Fremont, CA 94538, USA
 Phone: +1-408-263-0988
 Fax: +1-408-217-1960
 Email: sales@leopardimaging.com
 Website: www.leopardimaging.com

BOM

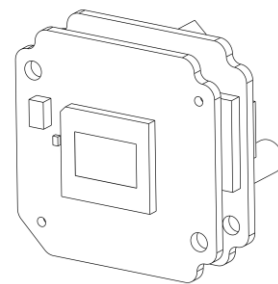
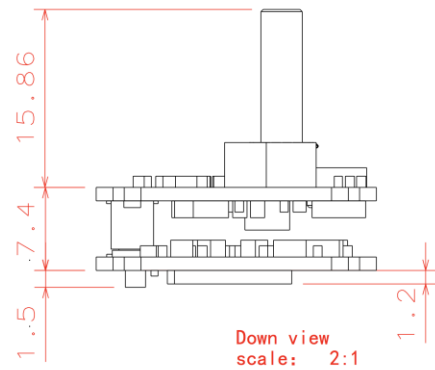
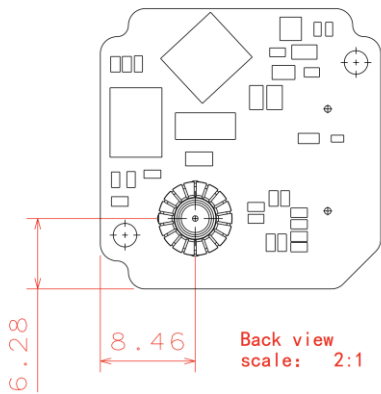
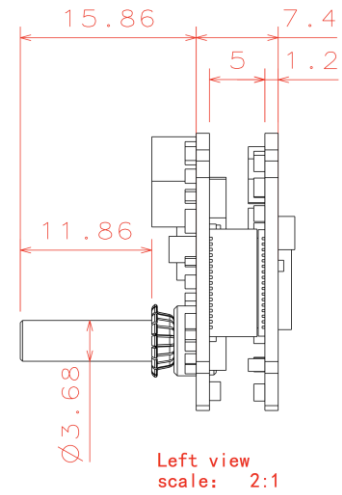
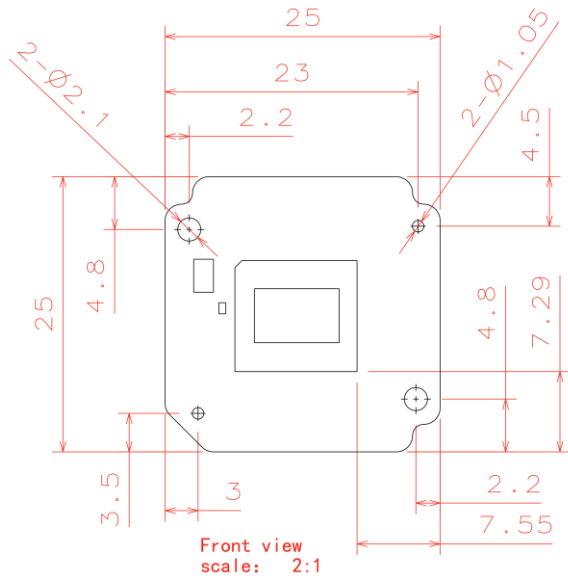
| # | Name | SPEC | QTY/SET |
|----|--------------------|---------------------------------|---------|
| 1 | Lens | M12 lens | 1 |
| 2 | Screw | M2*8 cross flat head black ZINC | 4 |
| 3 | Shell 2 | AL6061-T6 BLACK Anodizing | 1 |
| 4 | Sealing ring | Silicon rubber, White | 1 |
| 5 | LI-OV2311-MIPI-FKR | OV2311 sensor board | 1 |
| 6 | Copper pillar | M2*5+3 | 2 |
| 7 | LI-TI953-FKR | FPD-Link III serializer board | 1 |
| 8 | O ring | 6.5*1.5 Silicon rubber Red | 1 |
| 9 | Screw | M2*4 cross pan head black ZINC | 2 |
| 10 | Shell 1 | AL6061-T6 BLACK Anodizing | 1 |



Leopard Imaging Inc.

910 Auburn Ct, Fremont, CA 94538, USA
 Phone: +1-408-263-0988
 Fax: +1-408-217-1960
 Email: sales@leopardimaging.com
 Website: www.leopardimaging.com

Camera boards Dimensions



Leopard Imaging Inc.

910 Auburn Ct, Fremont, CA 94538, USA
 Phone: +1-408-263-0988
 Fax: +1-408-217-1960
 Email: sales@leopardimaging.com
 Website: www.leopardimaging.com

Water Proof

- Metal Housing
- Water-proof M12 lens
- Sealed Gasket (White)
- Sealed O-ring (Red)

Note: Lens must be glued for water-proof.



Cable Connector

- Housing Connector- FAKRA Z Type
- Cable length: 3 meters
Support single Coax Cable transmit up to 12 meters
- Cable Part#: FAK-SMZSMZ-3M
- FAKRA type connectors



Leopard Imaging Inc.




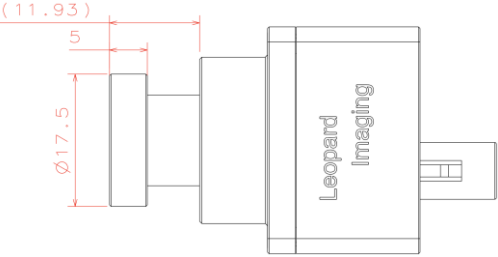
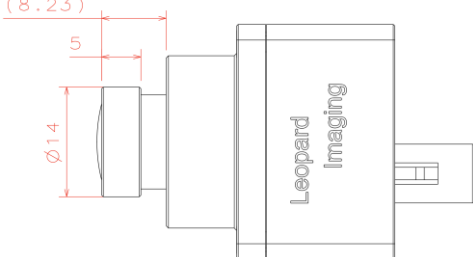
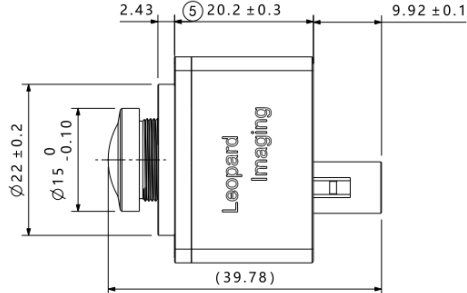
910 Auburn Ct, Fremont, CA 94538, USA
Phone: +1-408-263-0988
Fax: +1-408-217-1960
Email: sales@leopardimaging.com
Website: www.leopardimaging.com

Ordering Information

Part#: LI-OV2311- FPDLINKIII -xxxH

Note:

xxxH - 050H: FOV H 50°
 100H: FOV H 100°
 200H: FOV H 200°

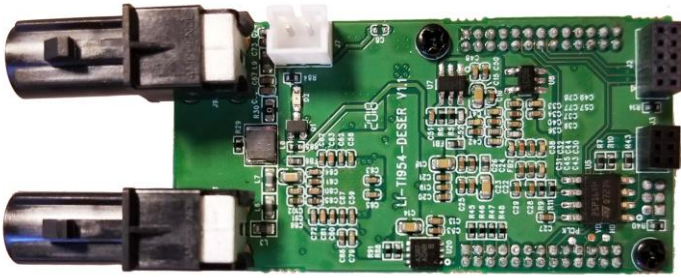
| LI-OV2311-FPDLINKIII-050H | LI-OV2311-FPDLINKIII-100H | LI-OV2311-FPDLINKIII-200H |
|--|--|---|
|  |  |  |
| <p>Lens EFL: 6.0 mm FOV(D): 67° FOV(H): 51° FOV(V): 41°</p> | <p>Lens EFL: 2.8 mm FOV(D): 130° FOV(H): 101° FOV(V): 82°</p> | <p>Lens EFL: 0.95 mm ± 5% FOV(H): 200°</p> |
|  |  |  |



Leopard Imaging Inc.

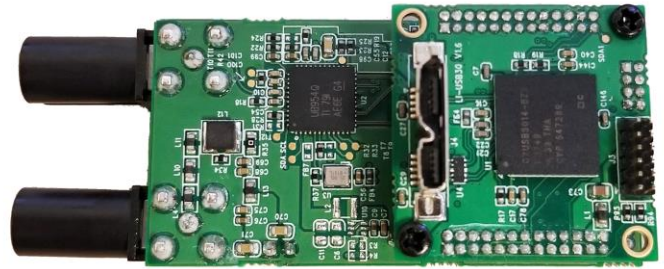
910 Auburn Ct, Fremont, CA 94538, USA
 Phone: +1-408-263-0988
 Fax: +1-408-217-1960
 Email: sales@leopardimaging.com
 Website: www.leopardimaging.com

LI-TI954-DESER



Front View

LI-USB30-CNTL



Back View

LI-OV2311- FPDLINKIII can connect to USB 3.0 EVA module as a USB 3.0 camera.
Part#: **LI-USB30-OV2311-FPDLINKIII-xxxH**

Key Features

- USB 3.0 Super Speed support
- RAW data output without compression
- UVC compliance
- Provide customization services
- 12 VDC Power Supply
- Weight: 86 g
- Single Coax Cable transmit up to 12 meter PoC (Power over Cable)
- Support 1600 x 1300 @ 30 fps
- Power consumption: TBD
- Support Windows, Linux OS and other OS which include the UVC drivers.



12 VDC power supply for camera

SDK Supported

- Camera Tool Source Code in C#
- Capture & Display
- Save file as BMP & RAW format



Revision History

| Revision | Description | Release Date |
|----------|--------------------------|---------------|
| 1.0 | First Release | 10. Jul. 2018 |
| 1.1 | Deleted lens model info. | 10. Aug. 2023 |



Leopard Imaging Inc.

910 Auburn Ct, Fremont, CA 94538, USA
Phone: +1-408-263-0988
Fax: +1-408-217-1960
Email: sales@leopardimaging.com
Website: www.leopardimaging.com