



LEOPARD
IMAGING

LI-OV10640-GMSL2-xxxH

Data Sheet

Key Features

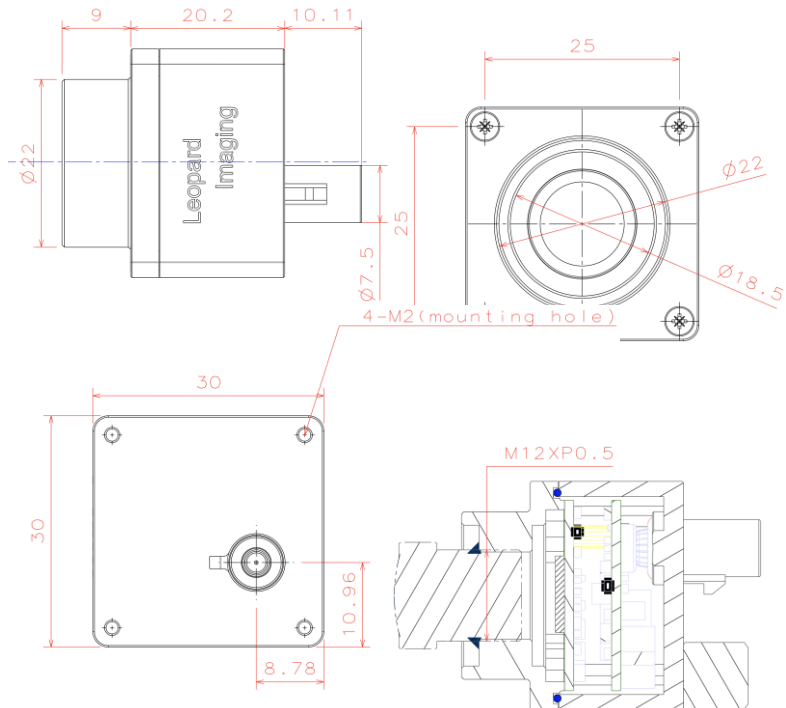
- OmniVision CMOS 1.3M Image Sensor OV10640
- Optical format: 1/2.56"
- Number of active pixels: 1280H x 1080V
- Pixel size: 4.2 x 4.2 μm
- Output 12 bit Raw data
- 27MHz clock input
- Support 12V Power
- GMSL2 Serializer
- Support Nvidia Drive PX2 (TBD)
- Connector: FAKRA Z TYPE
- Water proof: IP67
- Operation Temp: $-40^{\circ}\text{C} \sim 85^{\circ}\text{C}$
- Storage Temp: $-40^{\circ}\text{C} \sim 105^{\circ}\text{C}$
- Size: 30 x 30 x 20.2 mm
- Weight: 45 g
- Part#: **LI-OV10640-GMSL2-xxxH**



Application

- Autonomous driving
- Camera monitoring system
- Rear view camera

Dimensions

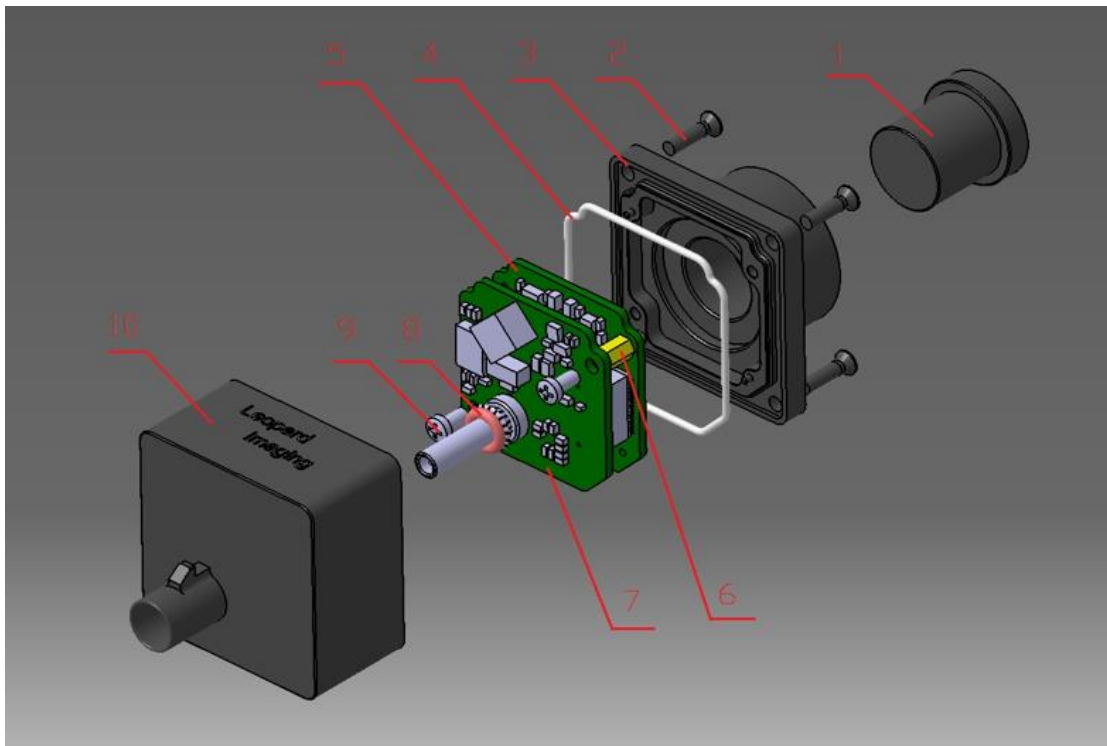


Leopard Imaging Inc.

910 Auburn Ct, Fremont, CA 94538, USA
 Phone: +1-408-263-0988
 Fax: +1-408-217-1960
 Email: sales@leopardimaging.com
 Website: www.leopardimaging.com

BOM

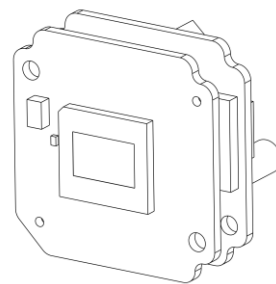
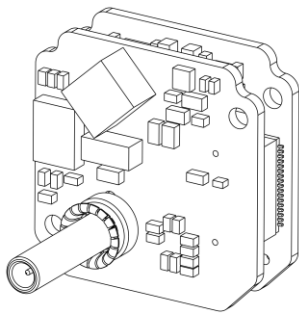
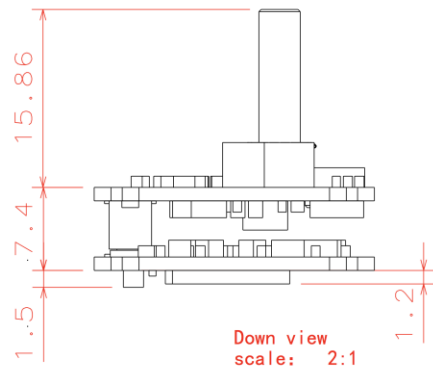
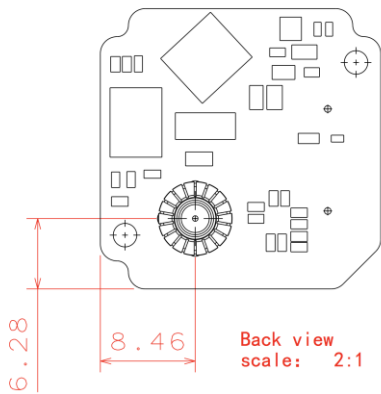
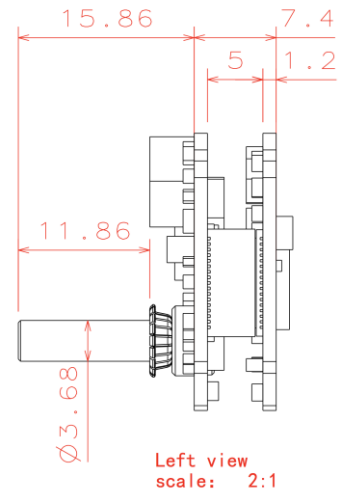
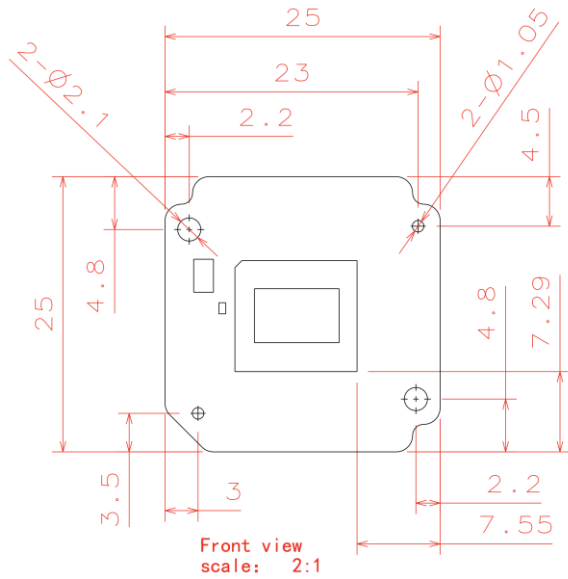
#	Name	SPEC	QTY/SET
1	Lens	M12 lens	1
2	Screw	M2*8 cross flat head black ZINC	4
3	Shell 2	AL6061-T6 BLACK Anodizing	1
4	Sealing ring	Silicon rubber, White	1
5	LI-OV10640-MIPI	OV10640 sensor board	1
6	Copper pillar	M2*5+3	2
7	LI-GMSL2-FKR	GMSL2 board	1
8	O ring	6.5*1.5 Silicon rubber Red	1
9	Screw	M2*4 cross pan head black ZINC	2
10	Shell 1	AL6061-T6 BLACK Anodizing	1



Leopard Imaging Inc.

910 Auburn Ct, Fremont, CA 94538, USA
 Phone: +1-408-263-0988
 Fax: +1-408-217-1960
 Email: sales@leopardimaging.com
 Website: www.leopardimaging.com

Camera boards Dimensions

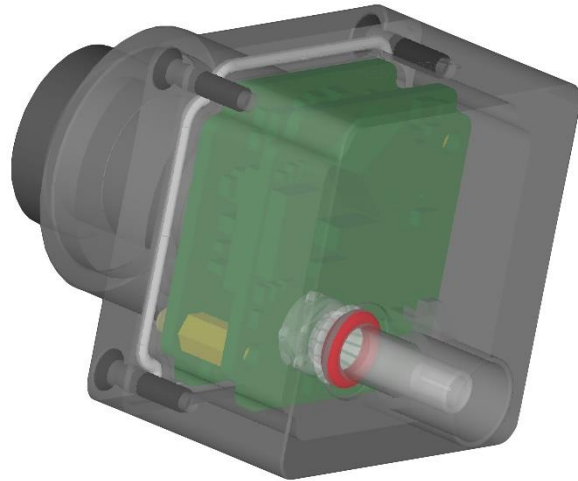


Leopard Imaging Inc.

910 Auburn Ct, Fremont, CA 94538, USA
 Phone: +1-408-263-0988
 Fax: +1-408-217-1960
 Email: sales@leopardimaging.com
 Website: www.leopardimaging.com

Water Proof

- Metal Housing
- Water-proof M12 lens
- Sealed Gasket (White)
- Sealed O-ring (Red)



Cable Connector

- Housing Connector- FAKRA Z Type
- Cable length: 3 meters
Support single Coax Cable transmit up to 15 meters
- Cable Part#: FAK-SMZSMZ-0008
- FAKRA type connectors



Leopard Imaging Inc.




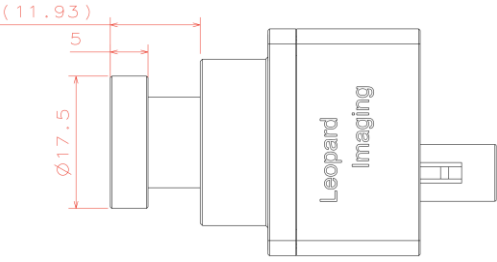
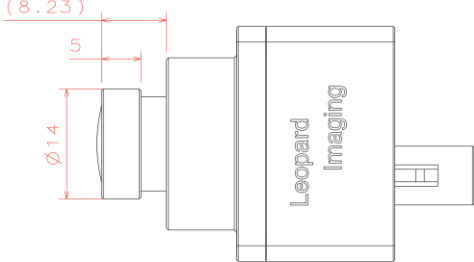
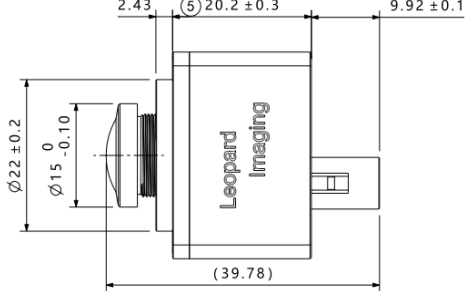
910 Auburn Ct, Fremont, CA 94538, USA
Phone: +1-408-263-0988
Fax: +1-408-217-1960
Email: sales@leopardimaging.com
Website: www.leopardimaging.com

Ordering Information

Part#: LI-OV10640-GMSL2-xxxH

Note:

xxxH - 060H: FOV H 60°
 120H: FOV H 120°
 200H: FOV H 200°

LI-OV10640-GMSL2-060H	LI-OV10640-GMSL2-120H	LI-OV10640-GMSL2-200H
		
<p>Lens EFL: 6.0 mm FOV(D): 74.5° FOV(H): 60.6° FOV(V): 36.1°</p>	<p>Lens EFL: 2.8 mm FOV(D): 148° FOV(H): 122° FOV(V): 74°</p>	<p>Lens EFL: 0.95 mm ± 5% FOV(H): 200°</p>
		



Leopard Imaging Inc.

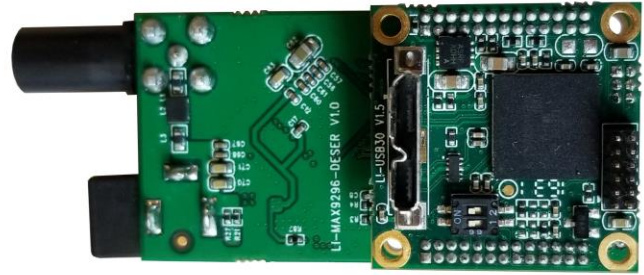
910 Auburn Ct, Fremont, CA 94538, USA
 Phone: +1-408-263-0988
 Fax: +1-408-217-1960
 Email: sales@leopardimaging.com
 Website: www.leopardimaging.com

LI-GMSL2-DESER



Front View

LI-USB30-CNTL



Back View

LI-OV10640-GMSL2-xxxH can connect to USB 3.0 EVA module as a USB 3.0 camera.
Part#: [LI-USB30-OV10640-GMSL2-xxxH](#)

Key Features

- USB 3.0 Super Speed support
- RAW data output without compression
- UVC compliance
- Provide customization services
- 12VDC Power Supply
- Weight: 86 g
- Single Coax Cable transmit up to 15 meter PoC(Power over Cable)
- Support 1280x1080@30fps
- Power consumption: TBD

SDK Supported

- Camera Tool Source Code in C#
- Capture & Display
- Save file as BMP & RAW format



Revision History

Revision	Description	Release Date
1.0	First Release	12. Jan. 2018
1.1	Deleted lens model info.	11. Aug. 2023

