



LEOPARD
IMAGING

LI-IMX565-GMSL2-NL



Address:

910 Auburn Ct
Fremont, CA 94538
USA



Phone:

+1 (408)263-0988

Fax:

+1 (408)217-1960



Sales:

sales@leopardimaging.com

Support:

support@leopardimaging.com

INTRODUCTION

The LI-IMX565-GMSL2-NL is equipped with Sony diagonal 14 mm (Type 1/1.1) Pregius CMOS image sensor IMX565 which features a global shutter and Maxim GMSL2 serializer MAX9295A/B. Assembled with no lens, this camera outputs 8-bit / 10-bit / 12-bit RAW data.

SPECIFICATIONS

Sensor	Sony Diagonal 14 mm CMOS Image Sensor IMX565
Optical Format	1/1.1"
Resolution	4128 (H) x 3008 (V) (active pixels)
Pixel Size	2.74 x 2.74 μ m
Output Format	8-bit / 10-bit / 12-bit RAW data
Color / Mono	Color Sensor
Shutter	Global shutter
Maximum Frame Rate	8-bit: 42.6 fps @ All-pixel scan mode 10-bit: 34.6 fps @ All-pixel scan mode 12-bit: 29.2 fps @ All-pixel scan mode
Serializer	Maxim MAX9295A/B
Power Supply Range	9 ~ 17 VDC
Connector	FAKRA A TYPE
Lens	Not included
Lens Mount	C-mount
Power Consumption	117 mA @ 12 VDC 4128 x 3008 @ 29 fps
Operating Temp	TBD
Storage Temp	TBD
Weight	~ 76 g
Part#	LI-IMX565-GMSL2-NL

APPLICATIONS

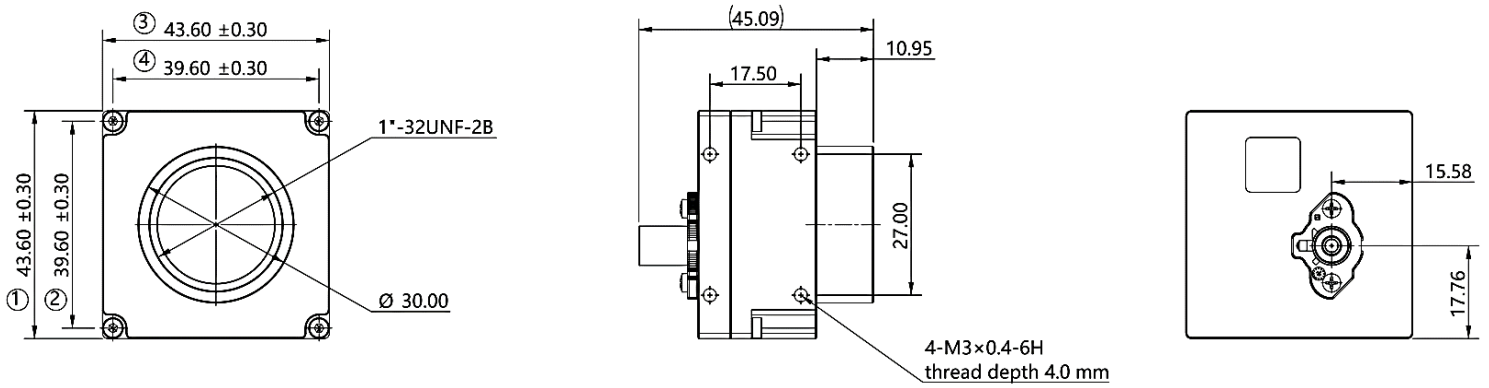
- ITS Cameras
- FA Cameras

NOTE:

Lens is NOT included in LI-IMX565-GMSL2-NL.



DIMENSIONS (Without Lens)



NOTE:

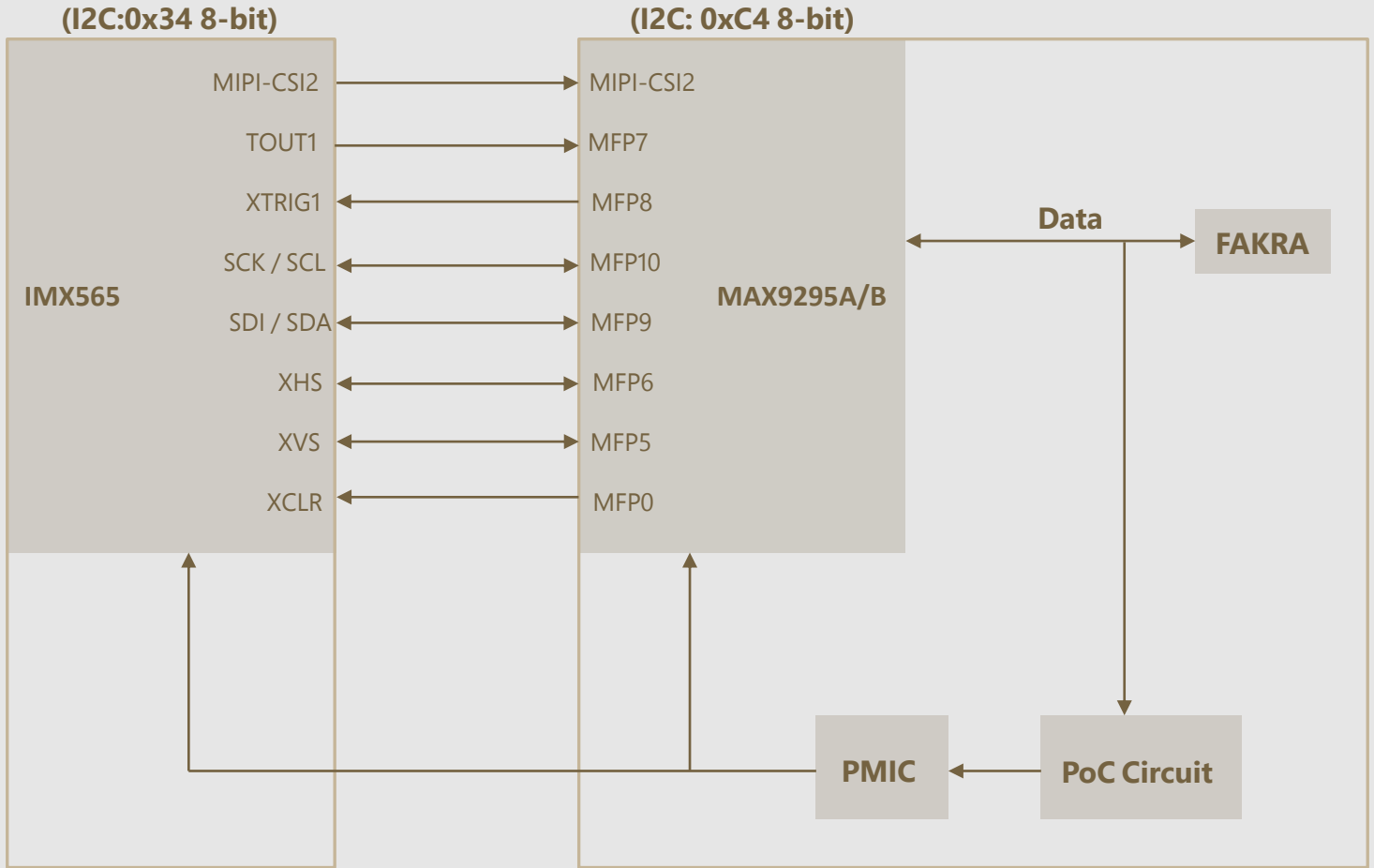
- ⊗ marked are important sizes.
- Tolerances for others unmarked – refer to the Tolerance table.
- All materials are compliant with RoHS requirements.
- Unit: mm

TOLERANCE TABLE					
LENGTH TOLERANCE		CHAMFER TOLERANCE		ANGLE TOLERANCE	
Size X	Tolerance	Size X	Tolerance	Size X	Tolerance
0.5 < X ≤ 3	±0.1	0.5 < X ≤ 3	±0.2	X ≤ 10	±1°
3 < X ≤ 6	±0.1	3 < X ≤ 6	±0.5	10 < X ≤ 50	±30'
6 < X ≤ 30	±0.2	6 < X ≤ 30	±1	50 < X ≤ 120	±20'
30 < X ≤ 120	±0.3	X > 30	±2	120 < X ≤ 400	±10'
120 < X ≤ 400	±0.5			X > 400	±5'
400 < X ≤ 1000	±0.8				
X > 1000	±1.2				

IMAGE ORIENTATION



SYSTEM BLOCK DIAGRAM



- REVISION HISTORY

Revision	Description	Release Date
0.1	Initial draft.	4 Feb 2024

910 Auburn Ct, Fremont, CA 94538, USA

Phone: +1 (408)263-0988

Fax: +1 (408)217-1960

Email: sales@leopardimaging.com

Website: www.leopardimaging.com

