



LEOPARD
IMAGING

LI-IMX334-MIPI-M12-HAILO



Address:

910 Auburn Ct
Fremont, CA 94538
USA



Phone:

+1 (408)263-0988

Fax:

+1 (408)217-1960



Sales:

sales@leopardimaging.com

Support:

support@leopardimaging.com

INTRODUCTION

The LI-IMX334-MIPI-M12-HAILO is a MIPI CSI-2 camera equipped with Sony diagonal 8.86 mm (Type 1/1.8) 8.4MP CMOS image sensor IMX334 which features low power consumption, high sensitivity and low dark current. This camera outputs RAW data.

SPECIFICATIONS

Sensor	Sony Diagonal 8.86 mm CMOS Image Sensor IMX334
Optical Format	1/1.8"
Resolution	3864 (H) x 2176 (V) (active pixels)
Pixel Size	2.0 x 2.0 μm
Output Format	10-bit / 12-bit RAW data
Maximum Frame Rate	12-bit: 60 fps @ all pixel scan mode
ISP	Not included
Color / Mono	Color sensor
Interface	4-lane MIPI CSI-2
HDR (High Dynamic Range)	Support
Power Consumption	274 mA @ 5 VDC 3864 x 2180 @ 17.7 fps
Operating Temp	-30°C ~ +60°C
Storage Temp	-40°C ~ +85°C
Weight	~ 14 g
Part#	LI-IMX334-MIPI-M12-HAILO

APPLICATIONS

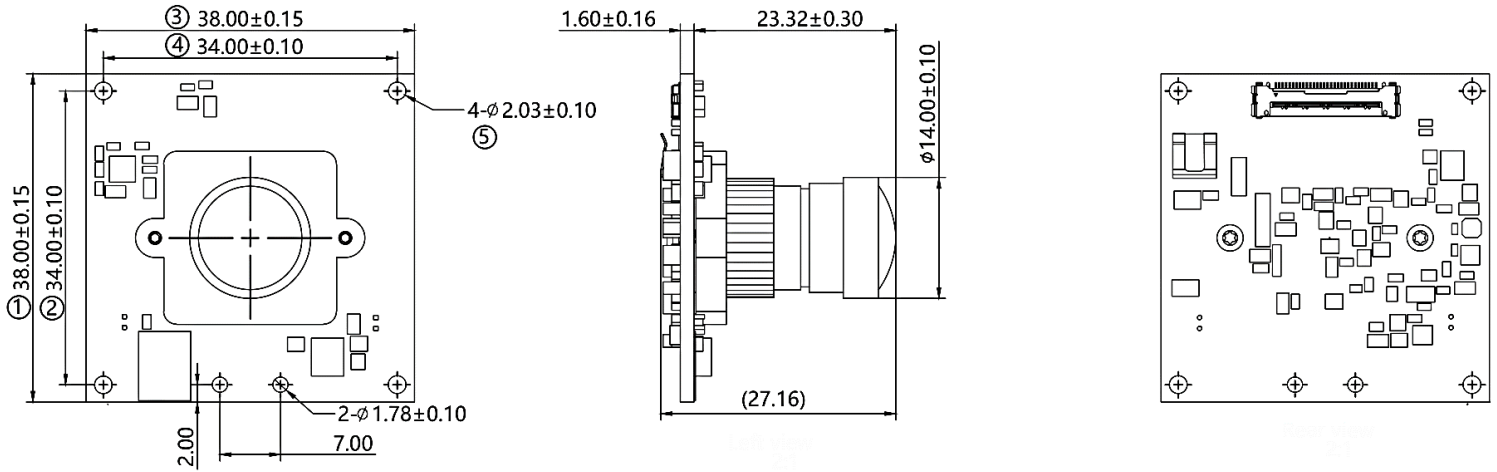
- IoT
- Drone
- Robots

LENS SPECIFICATIONS

Effective Focal Length	3.25 \pm 5% mm
Aperture, F/#	2.6 \pm 10%
Field of View (FOV)	100° horizontal
IR Filter	650 nm IR cut filter
Lens Mount	M12 x P0.5



DIMENSIONS



TOLERANCE TABLE					
LENGTH TOLERANCE		CHAMFER TOLERANCE		ANGLE TOLERANCE	
Size X	Tolerance	Size X	Tolerance	Size X	Tolerance
$0.5 < X \leq 3$	± 0.1	$0.5 < X \leq 3$	± 0.2	$X \leq 10$	$\pm 1'$
$3 < X \leq 6$	± 0.1	$3 < X \leq 6$	± 0.5	$10 < X \leq 50$	$\pm 30'$
$6 < X \leq 30$	± 0.2	$6 < X \leq 30$	± 1	$50 < X \leq 120$	$\pm 20'$
$30 < X \leq 120$	± 0.3	X > 30	± 2	$120 < X \leq 400$	$\pm 10'$
$120 < X \leq 400$	± 0.5			X > 400	$\pm 5'$
$400 < X \leq 1000$	± 0.8				
$X > 1000$	± 1.2				

NOTE:

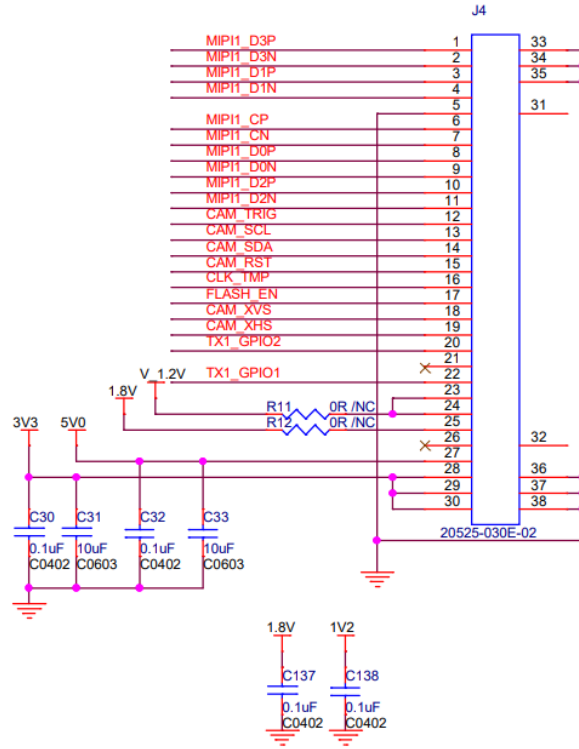
- \otimes marked are important sizes.
- Tolerances for the unmarked – refer to the Tolerance table.
- All materials are compliant with RoHS requirements.

Unit: mm

INTERFACE J4

- Connector Part#: 20525-030E-02
- Number of Positions: 30
- Pitch: 0.4 mm
- Mating I-PEX Cable: FAW-1233
- Sensor I2C Address: 0x1A (7-bit)
- External Power Supply: 3.3V, 5V0
- 1.2V, 1.8V, 2.9V are generated from board

I-PEX 0.4mm pitch connector



● REVISION HISTORY

Revision	Description	Release Date
1.0	First release.	4 Feb 2024

910 Auburn Ct, Fremont, CA 94538, USA

Phone: +1-408-263-0988

Fax: +1-408-217-1960

Email: sales@leopardimaging.com

Website: www.leopardimaging.com

