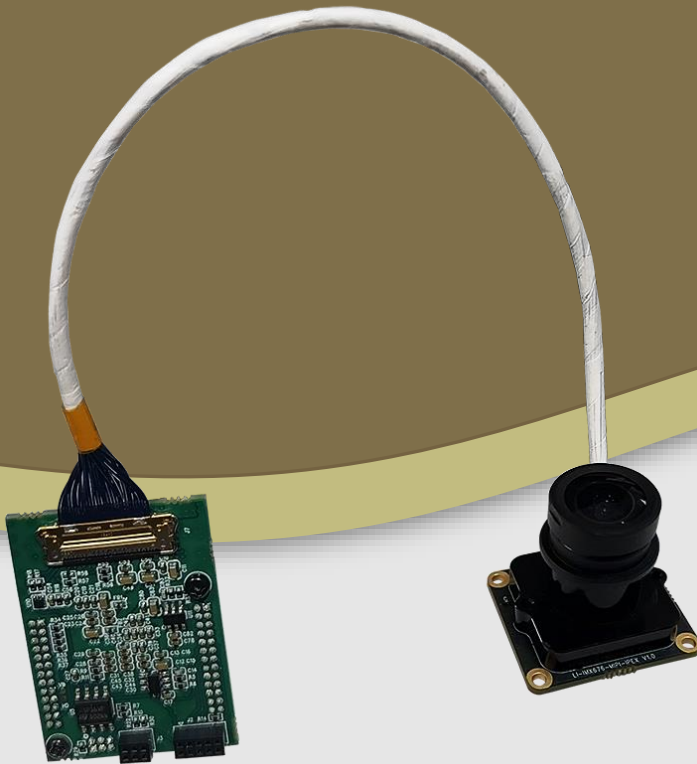




LEOPARD
IMAGING

LI-USB30-IMX676-MIPI-107H



Address:

910 Auburn Ct
Fremont, CA 94538
USA



Phone:

+1 (408)263-0988

Fax:

+1 (408)217-1960



Sales:

sales@leopardimaging.com

Support:

support@leopardimaging.com

Key Features

- USB 3.0 Super Speed support
- RAW data output without compression
- UVC compliant
- Color camera
- Supports M12 lens
- Allows customization
- USB + 5 VDC powered device
- Part#: **LI-USB30-IMX676-MIPI-107H**

Default Lens Specifications

Effective Focal Length	4.063 mm
Aperture, F/#	2.29 ± 5%
Field of View (FOV)	107° horizontal
Optical Distortion	-75%
Relative Illumination	30.2% @ 1.0F (IH 4.626 mm)
IR Filter	650 nm IR cut filter
Lens Mount	M12 x 0.5

Applications

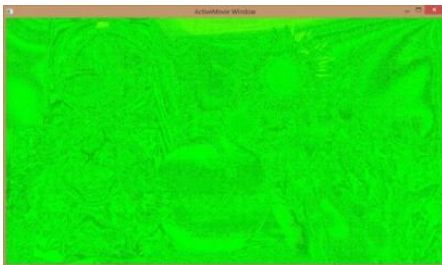
- IoT
- Drone
- Robots

SDK Supported

- Camera Tool Source Code in C#
- Capture & Display
- RAW to RGB Conversion
- Save file as BMP & RAW format
- Color Matrix
- Register access function

BOM

#	Items	QTY
1	LI-IMX676-MIPI-107H	1
2	LI-USB30 Main board	1
3	LI-CSLINK-IPX-TESTER	1
4	FAW-1233-02 (200 mm)	1



RAW Data Streaming

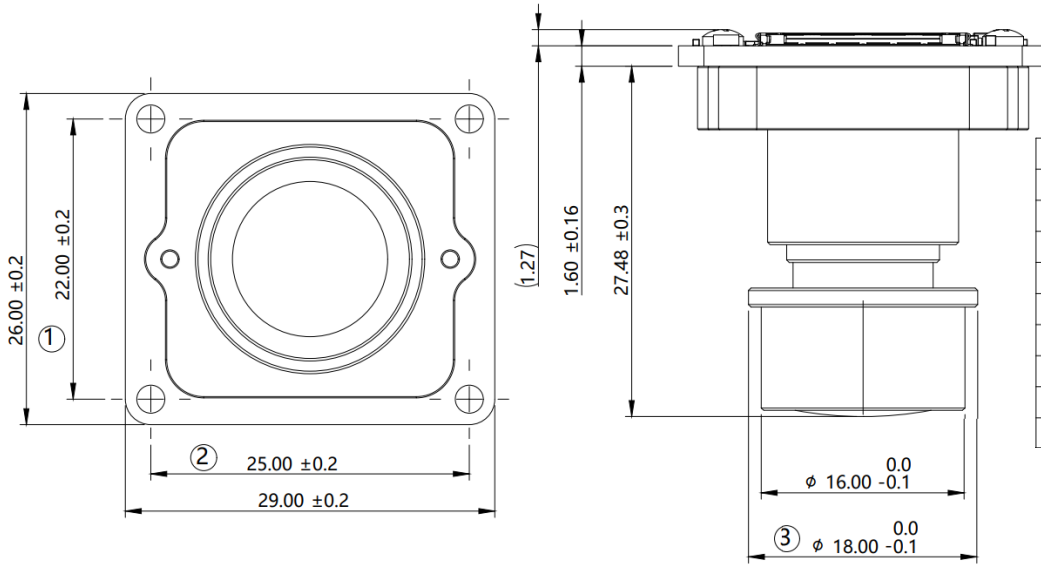


Camera Tool View Mode

SEPCIFICATIONS

General Behavior	
Video Resolution @ Frame Rate	3552 x 3556 @ 8 fps
Interface (Optical)	
IR Cut Filter (on lens)	650 nm IR cut filter
Sensor	Sony STARVIS2 Diagonal 10.04 mm CMOS Image Sensor IMX676
Shutter	Rolling
Color / Mono	Color
Format	1/1.6"
Active Pixels	3552 (H) x 3552 (V)
Pixel Size	2.0 x 2.0 μm
Lens Mount	M12
Interface (Electrical)	
Interface	USB 3.0
Supply Voltage	USB 3.0 +5 VDC power source
Current Consumption	298 mA @ 5 VDC (3552 x 3556 @ 8 fps)
Weight	
LI-IMX676-MIPI-107H + LI-USB30 Main board + LI-CSLINK-IPX-TESTER (Without cable)	~ 28 g
Adjustment (Manual)	
Shutter	TBD
Gain	TBD
Register Access	Yes
Temp Info (LI-IMX676-MIPI-107H)	
Operating Temp	-30°C ~ +85°C
Storage Temp	-30°C ~ +85°C
Supported OS	
Windows OS, Standard Linux OS and other OS with full UVC drivers	

DIMENSIONS: LI-IMX676-MIPI-107H



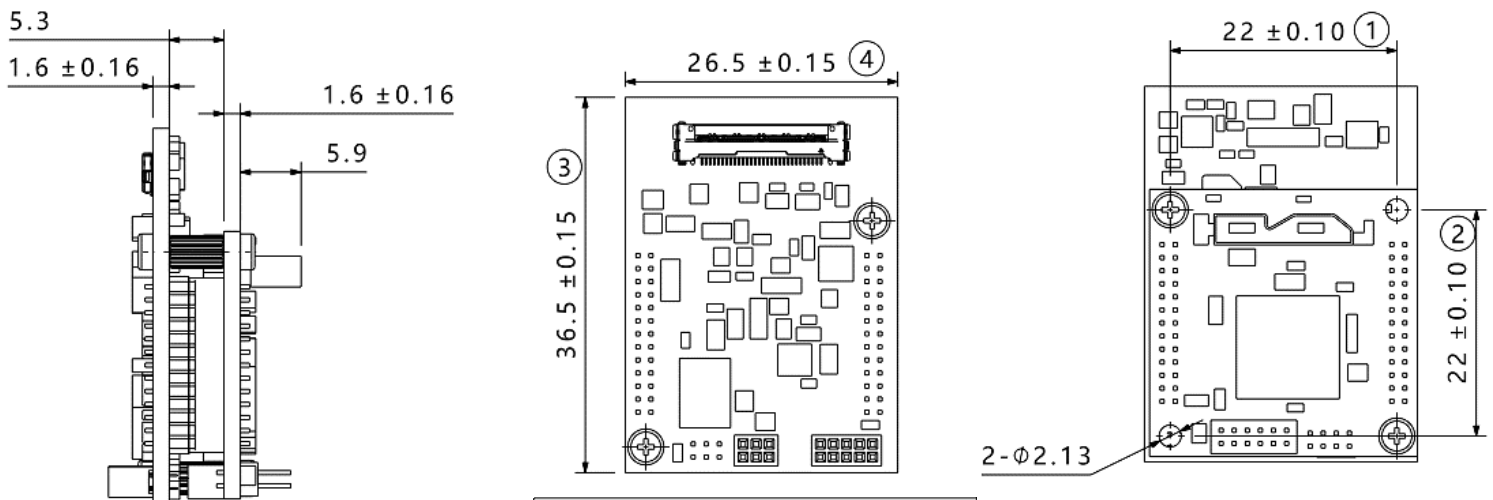
TOLERANCE TABLE					
LENGTH TOLERANCE		CHAMFER TOLERANCE		ANGLE TOLERANCE	
Size X	Tolerance	Size X	Tolerance	Size X	Tolerance
0.5 < X ≤ 3	±0.1	0.5 < X ≤ 3	±0.2	X ≤ 10	±1°
3 < X ≤ 6	±0.1	3 < X ≤ 6	±0.5	10 < X ≤ 50	±30'
6 < X ≤ 30	±0.2	6 < X ≤ 30	±1	50 < X ≤ 120	±20'
30 < X ≤ 120	±0.3			120 < X ≤ 400	±10'
120 < X ≤ 400	±0.5				
400 < X ≤ 1000	±0.8	X > 30	±2	X > 400	±5'
X > 1000	±1.2				

NOTE:

- ⊗ marked are important sizes.
- Tolerances for the unmarked refer to the Tolerance table.
- All materials are compliant with RoHS requirements.

Unit: mm

DIMENSIONS: LI-USB30 Main Board + LI-CSLINK-IPX-TESTER



TOLERANCE TABLE					
LENGTH TOLERANCE		CHAMFER TOLERANCE		ANGLE TOLERANCE	
Size X	Tolerance	Size X	Tolerance	Size X	Tolerance
0.5 < X ≤ 3	±0.1	0.5 < X ≤ 3	±0.2	X ≤ 10	±1°
3 < X ≤ 6	±0.1	3 < X ≤ 6	±0.5	10 < X ≤ 50	±30'
6 < X ≤ 30	±0.2	6 < X ≤ 30	±1	50 < X ≤ 120	±20'
30 < X ≤ 120	±0.3			120 < X ≤ 400	±10'
120 < X ≤ 400	±0.5				
400 < X ≤ 1000	±0.8	X > 30	±2	X > 400	±5'
X > 1000	±1.2				

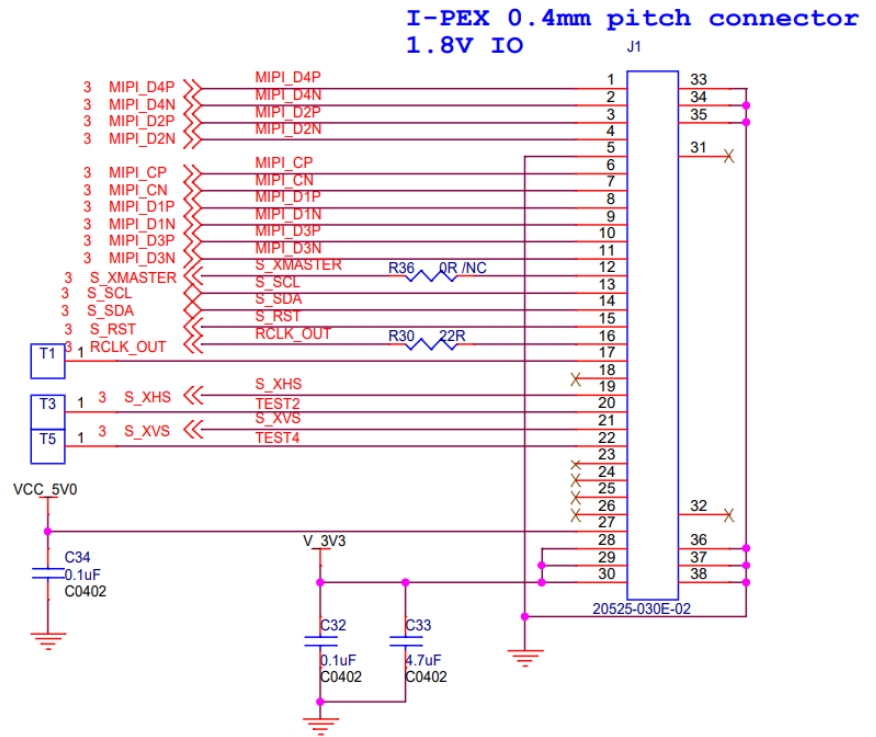
NOTE:

- ⊗ marked are important sizes.
- Tolerances for the unmarked – refer to the Tolerance table.
- All materials are compliant with RoHS requirements.

Unit: mm

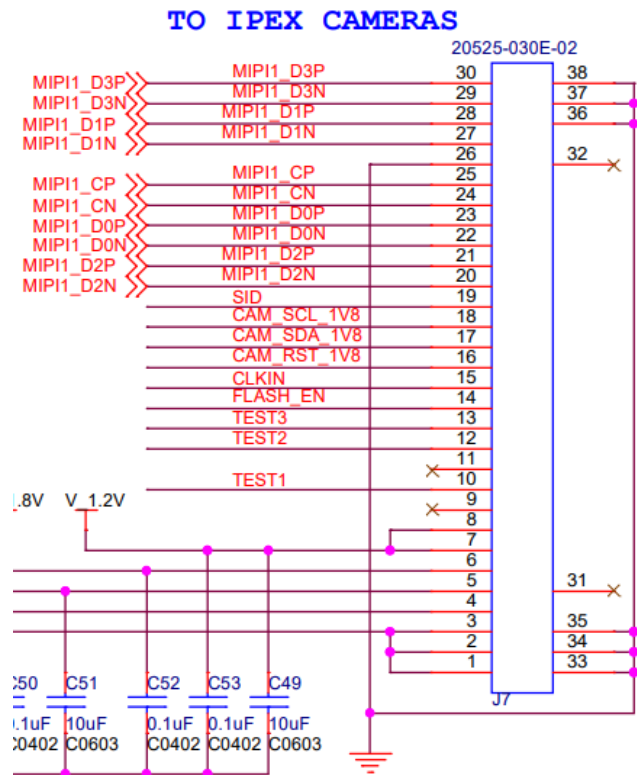
LI-IMX676-MIPI-107H INTERFACE (MIPI Connector)

- Connector Part#: 20525-030E-02
- Number of Positions: 30
- Pitch: 0.4 mm
- Mating I-PEX cable: LI-FAW-1233
- Sensor I2C Address: 0x1A (7-bit)
- External Power Supply: 3.3V, 5.0V
- 3.3V (analog), 1.8V and 1.1V are generated from board



LI-CSLINK-IPX-TESTER INTERFACE (To Cam)

- Part#: 20525-030E-02
- Number of Positions: 30
- Pitch: 0.4 mm
- Mating I-PEX Cable: FAW-1233-xx



- REVISION HISTORY

Revision	Description	Release Date
0.1	Initial draft.	18 Jan 2024

910 Auburn Ct, Fremont, CA 94538, USA

Phone: +1-408-263-0988

Fax: +1-408-217-1960

Email: sales@leopardimaging.com

Website: www.leopardimaging.com

