



LEOPARD
IMAGING

LI-S5K2G1-GMSL2-xxxH

Data Sheet

Key Features

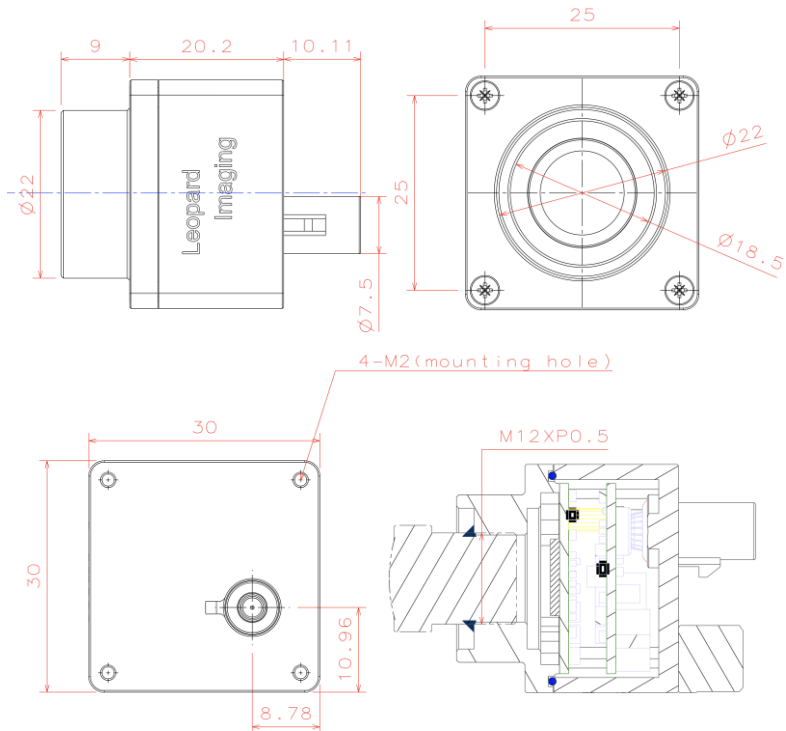
- Samsung Automotive 1/1.7" 7.4 MP CMOS Image Sensor S5K2G1
- Optical format: 1/1.7"
- Effective pixels: 3840H x 1920V
- Pixel size: 2.1 x 2.1 μm
- RCCB Sensor
- Lens: FOV H 25° / 120°
- GMSL2 Serializer
- Connector: FAKRA Z TYPE
- Water proof: IP67
- Operation Temp: -40°C ~ +85°C
- Storage Temp: -40°C ~ +125°C
- Size: 30 x 30mm
- Weight: 45 g
- Part#: **LI-S5K2G1-GMSL2-xxxH**



Application

- Automotive ADAS
- Machine vision

Dimensions

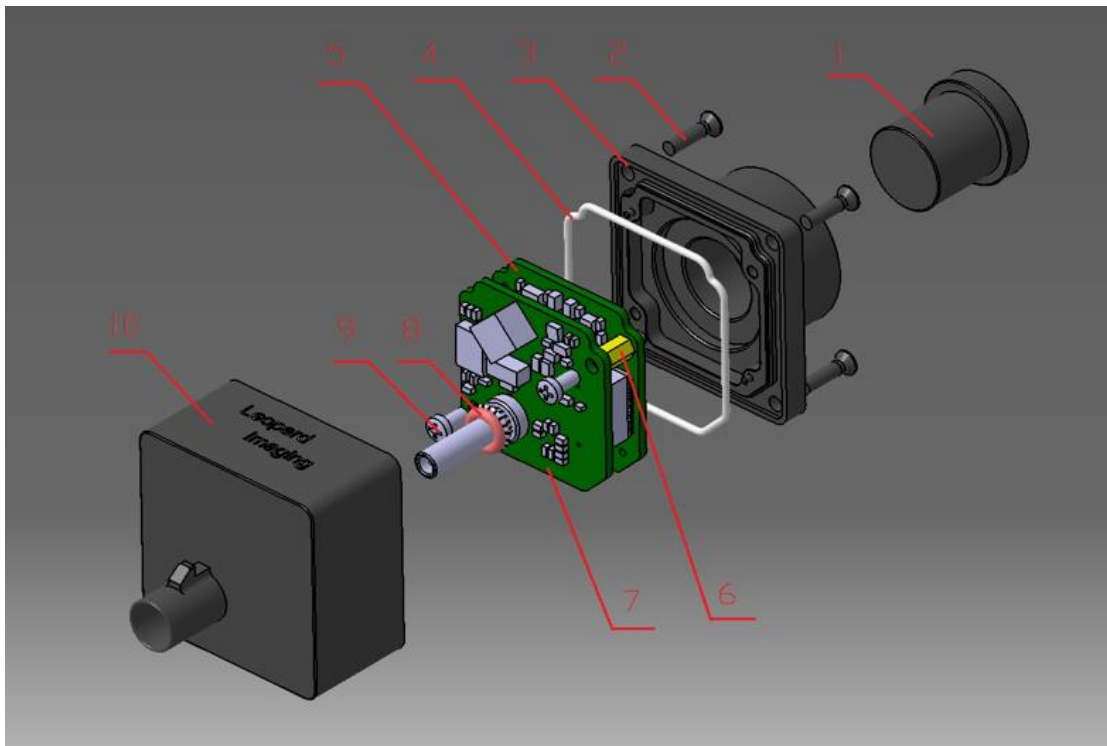


Leopard Imaging Inc.

910 Auburn Ct, Fremont, CA 94538, USA
 Phone: +1-408-263-0988
 Fax: +1-408-217-1960
 Email: sales@leopardimaging.com
 Website: www.leopardimaging.com

BOM

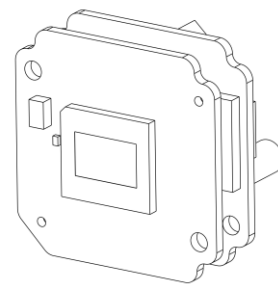
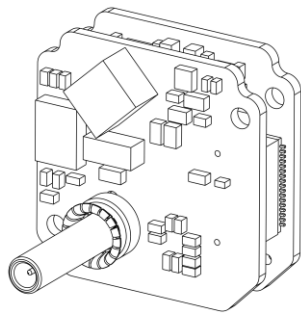
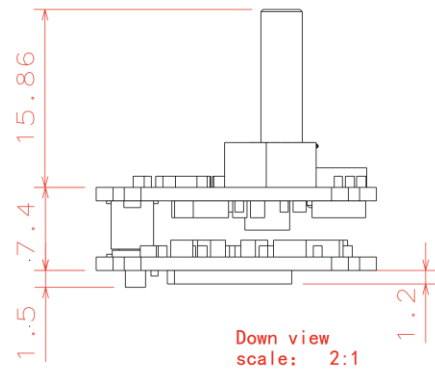
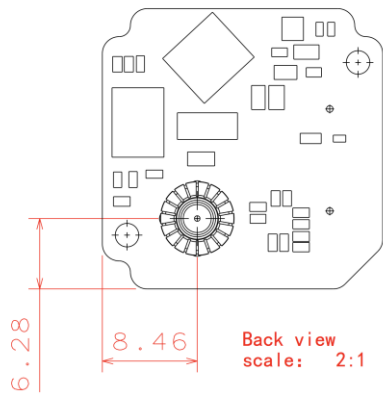
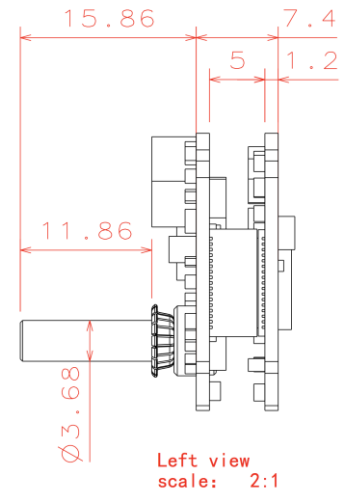
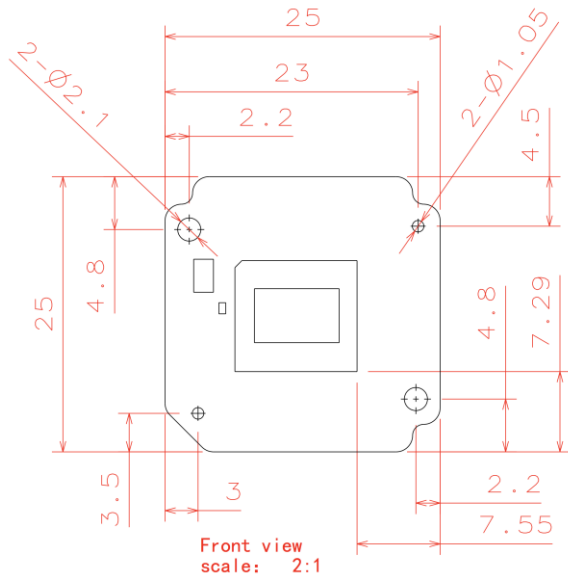
#	Name	SPEC	QTY/SET
1	Lens	M12 lens	1
2	Screw	M2*8 cross flat head black ZINC	4
3	Shell 2	AL6061-T6 BLACK Anodizing	1
4	Sealing ring	Silicon rubber, White	1
5	LI-S5K2G1-MIPI	S5K2G1 sensor board	1
6	Copper pillar	M2*5+3	2
7	LI-GMSL2-FKR	GMSL2 board	1
8	O ring	6.5*1.5 Silicon rubber Red	1
9	Screw	M2*4 cross pan head black ZINC	2
10	Shell 1	AL6061-T6 BLACK Anodizing	1



Leopard Imaging Inc.

910 Auburn Ct, Fremont, CA 94538, USA
 Phone: +1-408-263-0988
 Fax: +1-408-217-1960
 Email: sales@leopardimaging.com
 Website: www.leopardimaging.com

Camera boards Dimensions

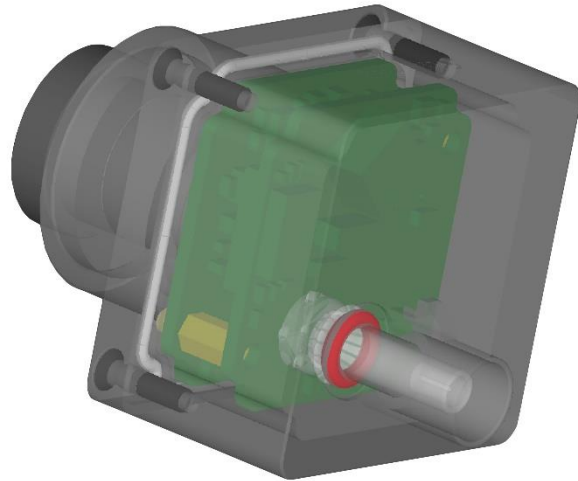


Leopard Imaging Inc.

910 Auburn Ct, Fremont, CA 94538, USA
 Phone: +1-408-263-0988
 Fax: +1-408-217-1960
 Email: sales@leopardimaging.com
 Website: www.leopardimaging.com

Water Proof

- Metal Housing
- Water-proof M12 lens
- Sealed Gasket (White)
- Sealed O-ring (Red)



Cable Connector

- Housing Connector- FAKRA Z Type
- Cable length: 3 meters
Support single Coax Cable transmit up to 15 meters
- Cable Part#: FAK-SMZSMZ-0008
- FAKRA type connectors



Leopard Imaging Inc.

910 Auburn Ct, Fremont, CA 94538, USA Phone: +1-408-263-0988

Fax: +1-408-217-1960

Email: sales@leopardimaging.com

Website: www.leopardimaging.com

Ordering Information

Part#: LI-S5K2G1-GMSL2-xxxH

Note:

xxxH - 025H: FOV H 25°
120H: FOV H 120°

LI-S5K2G1-GMSL2-025H	LI-S5K2G1-GMSL2-120H
	
Lens EFL: 16 mm FOV(D): 27.6° FOV(H): 24.8° FOV(V): 12.4°	Lens EFL: 4 mm FOV(D): 130° FOV(H): 117.1° FOV(V): 60.2°



Leopard Imaging Inc.

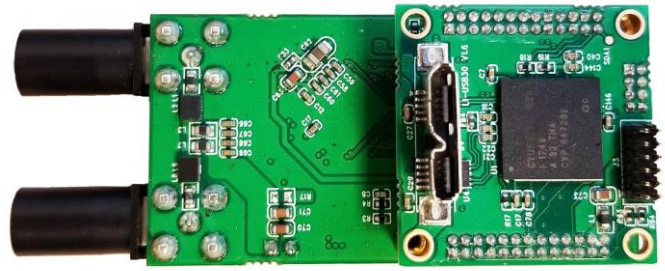
910 Auburn Ct, Fremont, CA 94538, USA Phone: +1-408-263-0988
Fax: +1-408-217-1960
Email: sales@leopardimaging.com
Website: www.leopardimaging.com

LI-GMSL2-DESER



Front View

LI-USB30-CNTL



Back View

LI-S5K2G1-GMSL2-xxxH can connect to USB 3.0 EVA module as a USB 3.0 camera.
Part#: **LI-USB30-S5K2G1-GMSL2-xxxH**

Key Features

- USB 3.0 Super Speed support
- RAW data output without compression
- UVC compliance
- Provide customization services
- 12VDC Power Supply
- Weight: 86 g
- Single Coax Cable transmit up to 15 meter PoC(Power over Cable)
- Support 3840x1920
- Power consumption: TBD
- Support Windows, Linux OS and other OS which include UVC drivers

SDK Supported

- Camera Tool Source Code in C#
- Capture & Display
- Save file as BMP & RAW format
- Support register access function



Revision History

Revision	Description	Release Date
1.0	First Release	11. Mar. 2019
1.1	Keep RCCB sensor only	2. Apr. 2019
1.2	Deleted lens model info.	11. Aug. 2023

