



LI-OV10650-495-GMSL2-xxxH Data Sheet

Key Features

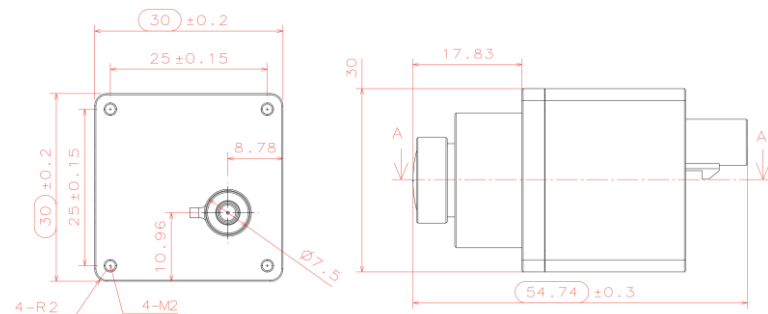
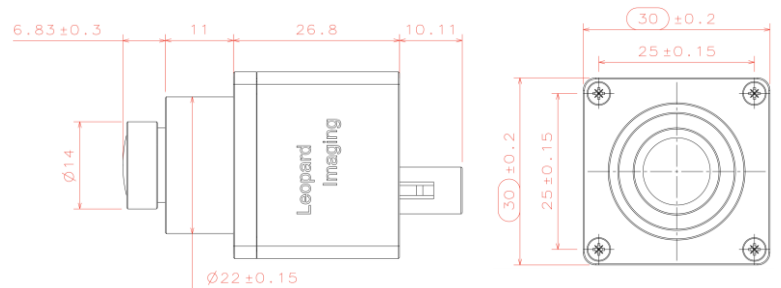
- OmniVision CMOS 1.7MP Image Sensor OV10650
- Optical format: 1/2.09"
- Maximum resolution: 1824H x 940V
- Pixel size: 4.2 x 4.2 μm
- YUV output without compression
- Includes OV495 ISP
- Support WDR
- Lens: FOV H 60° / 120°
- GMSL2 serializer
- Connector: FAKRA Z TYPE
- Water proof: TBD
- Operation Temp: -40°C ~ +85°C
ambient temp; -40°C ~ +125°C
junction temp
- Size: 30 x 30 x 37.8 mm
- Weight: 50 g
- Part#:
LI-OV10650-495-GMSL2-xxxH



Application

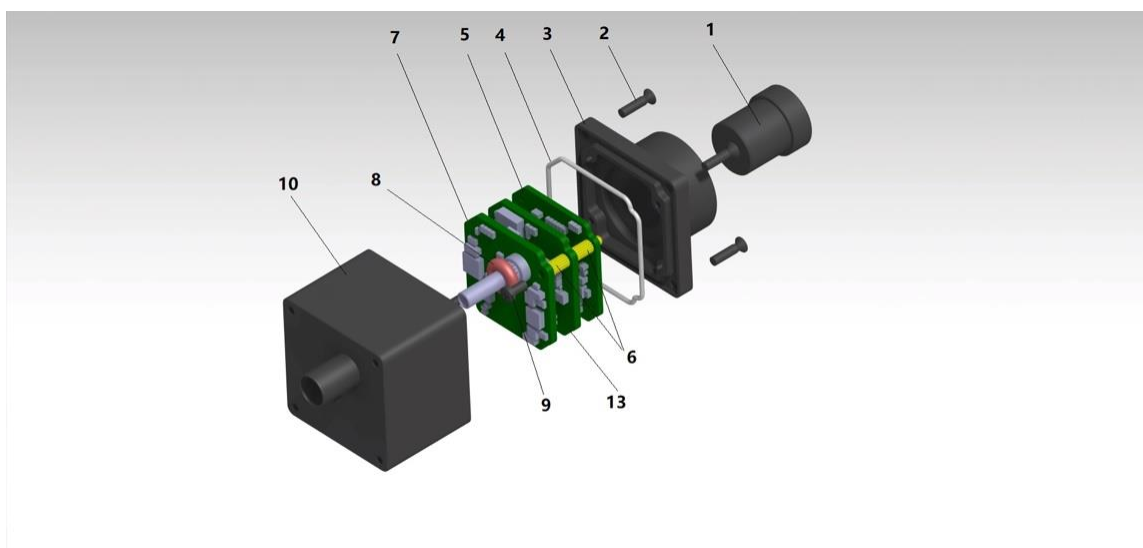
- Autonomous driving
- Camera monitoring system
- Surround and rear view system

Dimensions

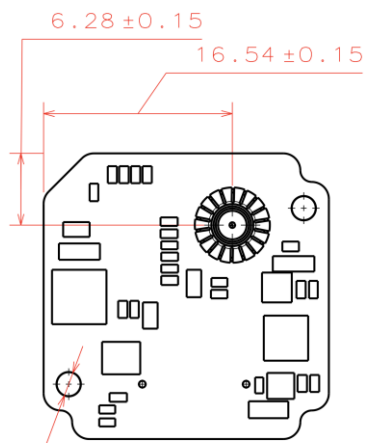
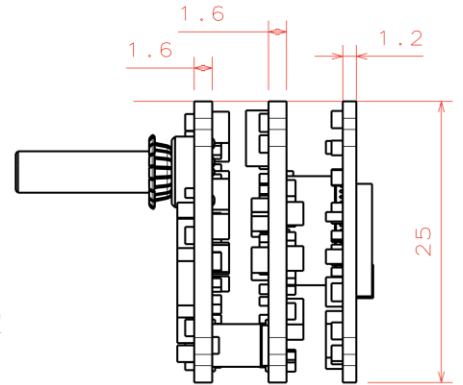
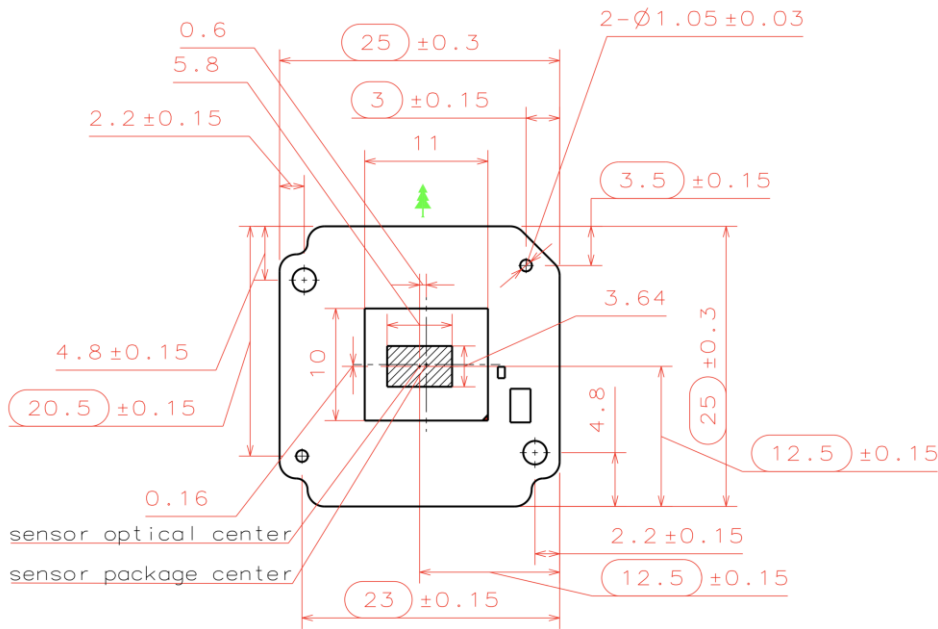


BOM

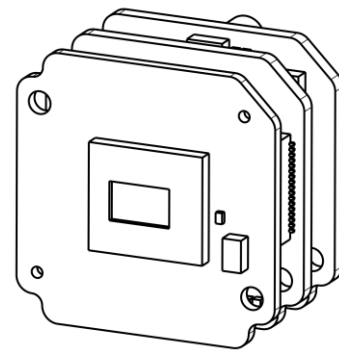
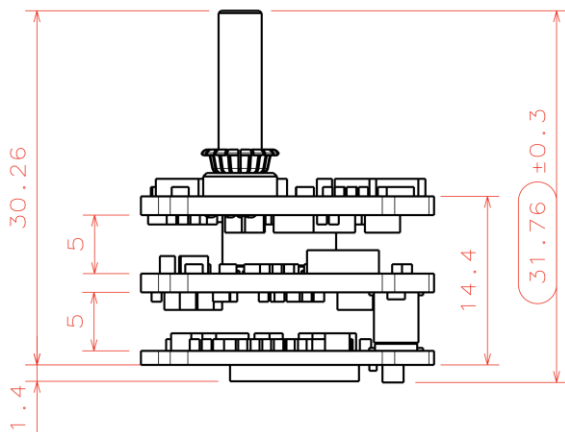
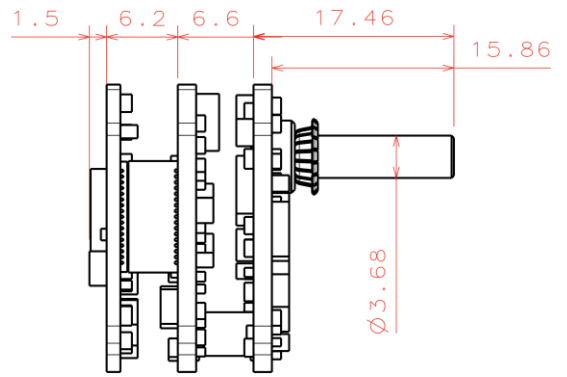
#	Name	SPEC	QTY/SET
1	Lens	M12	1
2	Screw	KM2*8 black STAINLESS 304	4
3	Shell 2	AL6061-T6 BLACK Anodizing	1
4	Sealing ring	Silicon rubber, White	1
5	LI-OV10650-MIPI-FKR	OV10650 sensor board	1
6	Copper pillar	M2*5+4	4
7	LI-GMSL2-FKR	GMSL2 serializer board	1
8	O ring	7*2.4 Silicon rubber Red	1
9	Screw	M2*4 black ZINC	2
10	Shell 1	AL6061-T6 BLACK Anodizing	1
13	LI-OV495-FKR	OV495 ISP board	1



Camera boards Dimensions



2-∅2.1 ± 0.05



Leopard Imaging Inc.

910 Auburn Ct, Fremont, CA 94538, USA

Phone: +1-408-263-0988

Fax: +1-408-217-1960

Email: sales@leopardimaging.com

Website: www.leopardimaging.com

Cable Connector

- Housing Connector- FAKRA Z Type
- Cable length: 3 meters
Support single Coax Cable transmit up to 15 meters
- Cable Part#: FAK-SMZSMZ-0008
- FAKRA type connectors



Leopard Imaging Inc.



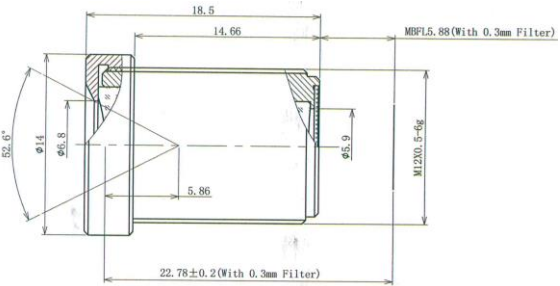
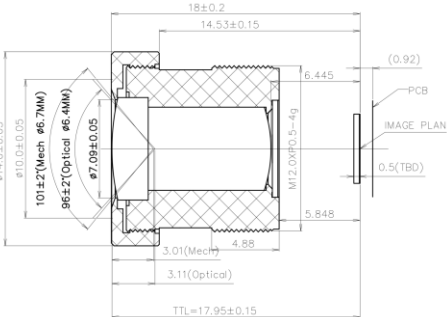
910 Auburn Ct, Fremont, CA 94538, USA
Phone: +1-408-263-0988
Fax: +1-408-217-1960
Email: sales@leopardimaging.com
Website: www.leopardimaging.com

Ordering Information

Part#: LI-OV10650-495-GMSL2-xxxH

Note:

xxxH - 060H: FOV H 60°
 120H: FOV H 120°

LI-OV10650-495-GMSL2-060H	LI-OV10650-495-GMSL2-120H
	
<p>Lens EFL: 8.0 mm F#: 1.8 FOV(D): 70° FOV(H): 59.5° FOV(V): 29°</p>	<p>Lens EFL: 3.98 mm F#: 2.3 FOV(D): 133° FOV(H): 116° FOV(V): 58.5°</p>
	



Leopard Imaging Inc.

910 Auburn Ct, Fremont, CA 94538, USA
 Phone: +1-408-263-0988
 Fax: +1-408-217-1960
 Email: sales@leopardimaging.com
 Website: www.leopardimaging.com

LI-GMSL2-USB-BOX



Front View



Back View

LI-OV10650-495-GMSL2 can connect to LI-GMSL2-USB-BOX as a USB 3.0 camera.

Part#: [LI-USB30-OV10650-495-GMSL2-xxxH](#)

Key Features

- USB 3.0 Super Speed support
- YUV output without compression
- Support WDR
- UVC compliance
- Provide customization services
- 12VDC Power Supply
- Weight: 91 g
- Single Coax Cable transmit up to 15 meter PoC(Power over Cable)
- Power consumption: Approx. 133mA at 12VDC
- Support Windows, Linux OS and other OS which include the UVC drivers.

SDK Supported

- Camera Tool Source Code in C#
- Capture & Display



Revision History

Revision	Description	Release Date
1.0	First Release	25. Dec. 2018
1.1	Deleted lens model info.	11. Aug. 2023



Leopard Imaging Inc.

910 Auburn Ct, Fremont, CA 94538, USA
Phone: +1-408-263-0988
Fax: +1-408-217-1960
Email: sales@leopardimaging.com
Website: www.leopardimaging.com