



**LEOPARD**  
IMAGING

# LI-OV10650-495-FPDLINKIII-xxxH Data Sheet

## Key Features

- OmniVision CMOS 1.7MP Image Sensor OV10650
- Optical format: 1/2.09"
- Maximum resolution: 1824H x 940V
- Pixel size: 4.2 x 4.2  $\mu\text{m}$
- YUV output without compression
- Includes OV495 ISP
- Support WDR
- Lens: FOV H 60° / 120°
- TI953 FPD-Link III serializer
- Connector: FAKRA Z TYPE
- Water proof: IP67
- Operation Temp: -40°C ~ +105°C  
ambient temp; -40°C ~ +125°C junction temp
- Size: 30 x 30 x 37.8 mm
- Weight: 50 g
- Part#:

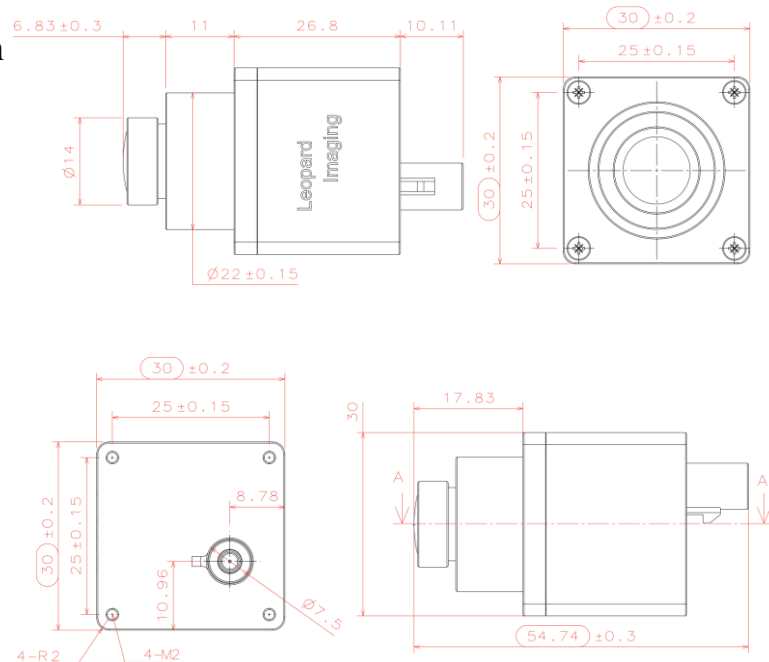
LI-OV10650-495-FPDLINKIII-xxxH



## Application

- Autonomous driving
- Camera monitoring system
- Surround and rear view system

## Dimensions

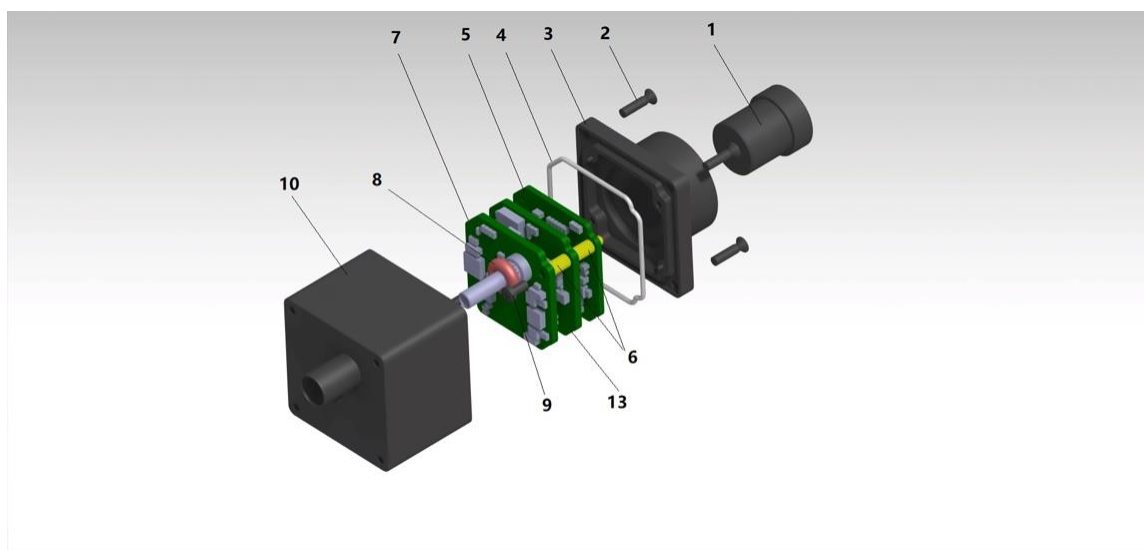


Leopard Imaging Inc.

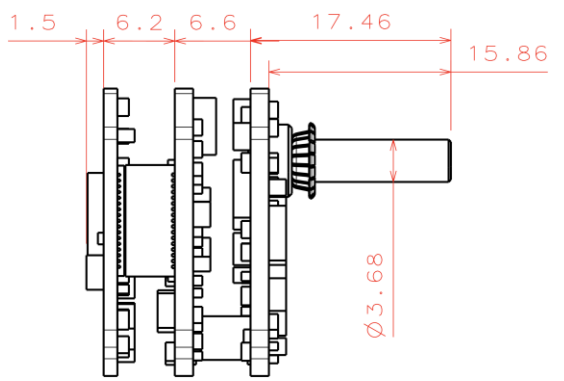
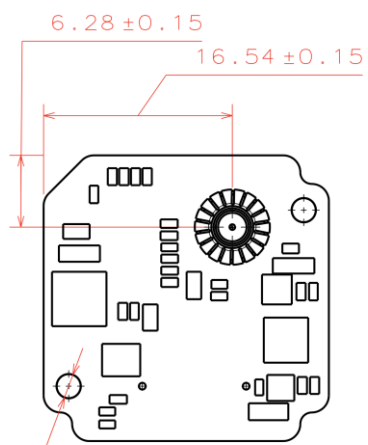
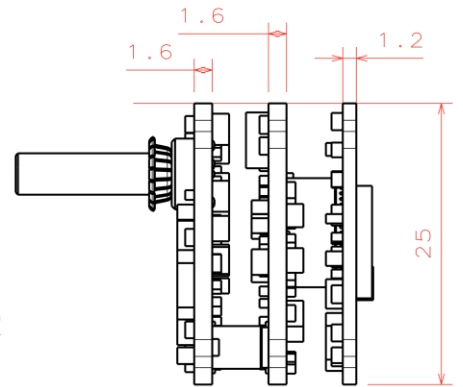
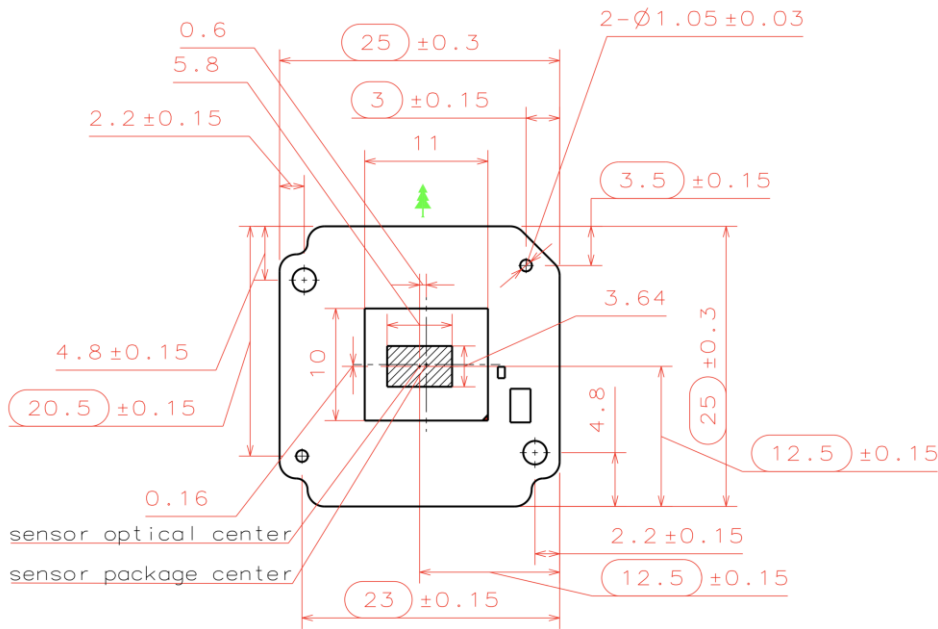
910 Auburn Ct, Fremont, CA 94538, USA  
Phone: +1-408-263-0988  
Fax: +1-408-217-1960  
Email: sales@leopardimaging.com  
Website: www.leopardimaging.com

## BOM

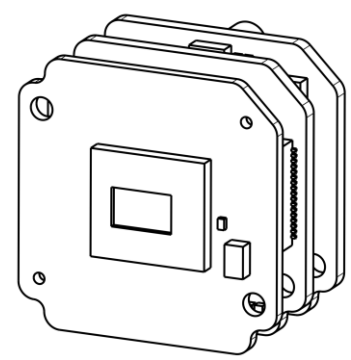
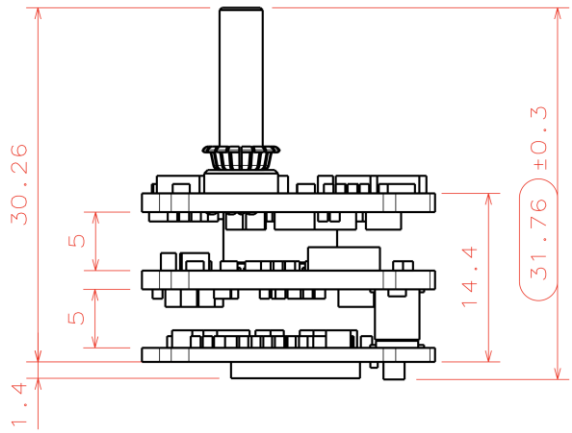
#	Name	SPEC	QTY/SET
1	Lens	M12	1
2	Screw	KM2*8 black STAINLESS 304	4
3	Shell 2	AL6061-T6 BLACK Anodizing	1
4	Sealing ring	Silicon rubber, White	1
5	LI-OV10650-MIPI-FKR	OV10650 sensor board	1
6	Copper pillar	M2*5+4	4
7	LI-TI953-FKR	FPD-Link III serializer board	1
8	O ring	7*2.4 Silicon rubber Red	1
9	Screw	M2*4 black ZINC	2
10	Shell 1	AL6061-T6 BLACK Anodizing	1
13	LI-OV495-FKR	OV495 ISP board	1



# Camera boards Dimensions



2-∅2.1±0.05

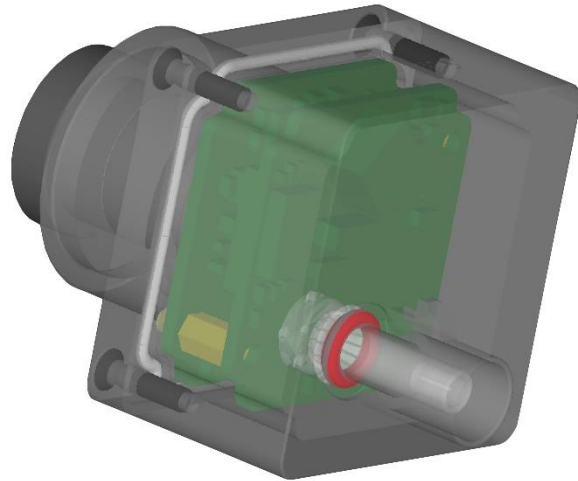


Leopard Imaging Inc.

910 Auburn Ct, Fremont, CA 94538, USA  
 Phone: +1-408-263-0988  
 Fax: +1-408-217-1960  
 Email: sales@leopardimaging.com  
 Website: www.leopardimaging.com

## Water Proof

- Metal Housing
- Water-proof M12 lens
- Sealed Gasket (White)
- Sealed O-ring (Red)



## Cable Connector

- Housing Connector- FAKRA Z Type
- Cable length: 3 meters  
Support single Coax Cable transmit up to 15 meters
- Cable Part#: FAK-SMZSMZ-0008
- FAKRA type connectors



Leopard Imaging Inc.



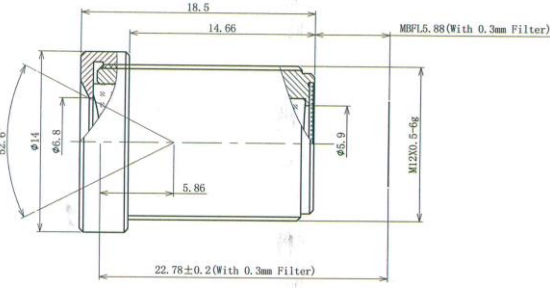
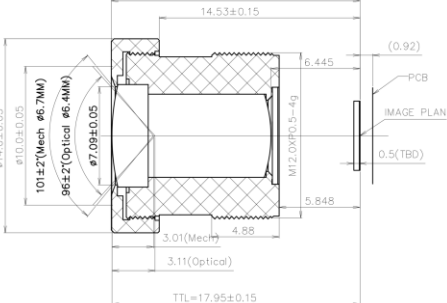
910 Auburn Ct, Fremont, CA 94538, USA  
Phone: +1-408-263-0988  
Fax: +1-408-217-1960  
Email: sales@leopardimaging.com  
Website: www.leopardimaging.com

## Ordering Information

**Part#: LI-OV10650-495-FPDLINKIII-xxxH**

Note:

xxxH - 060H: FOV H 60°  
 120H: FOV H 120°

LI- OV10650-495-FPDLINKIII -060H	LI- OV10650-495-FPDLINKIII-120H
	
<p>Lens EFL: 8.0 mm                      F#: 1.8                      FOV(D): 70°                      FOV(H): 59.5°                      FOV(V): 29°</p>	<p>Lens EFL: 3.98 mm                      F#: 2.3                      FOV(D): 133°                      FOV(H): 116°                      FOV(V): 58.5°</p>
	



Leopard Imaging Inc.

910 Auburn Ct, Fremont, CA 94538, USA  
 Phone: +1-408-263-0988  
 Fax: +1-408-217-1960  
 Email: sales@leopardimaging.com  
 Website: www.leopardimaging.com

## LI-FPDLINKIII-USB-BOX



Front View



Back View

LI-OV10650-495-FPDLINKIII can connect to LI-FPDLINKIII-USB-BOX as a USB 3.0 camera.

Part#: [LI-USB30-OV10650-495-FPDLINKIII-xxxH](#)

### Key Features

- USB 3.0 Super Speed support
- YUV output without compression
- Support WDR
- UVC compliance
- Provide customization services
- 12VDC Power Supply
- Weight: 91 g
- Single Coax Cable transmit up to 15 meter PoC(Power over Cable)
- Power consumption: Approx. 133mA at 12VDC
- Support Windows, Linux OS and other OS which include the UVC drivers.

### SDK Supported

- Camera Tool Source Code in C#
- Capture & Display



## Revision History

Revision	Description	Release Date
1.0	First Release	16. Jul. 2018
1.1	Deleted lens model info.	11. Aug. 2023

