



**LEOPARD**  
IMAGING

**LI-IMX490-GW5400-FPDLINKIII-xxxH**

# Data Sheet

## Key Features

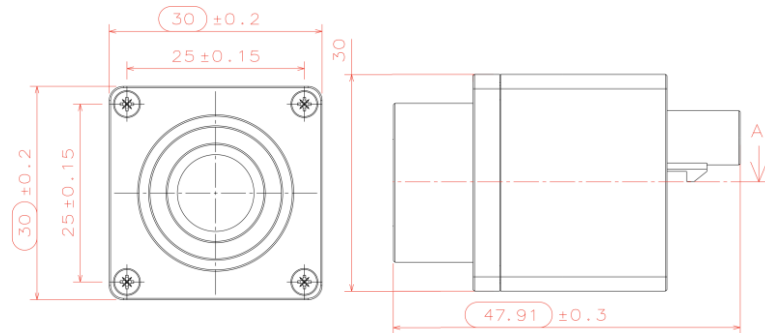
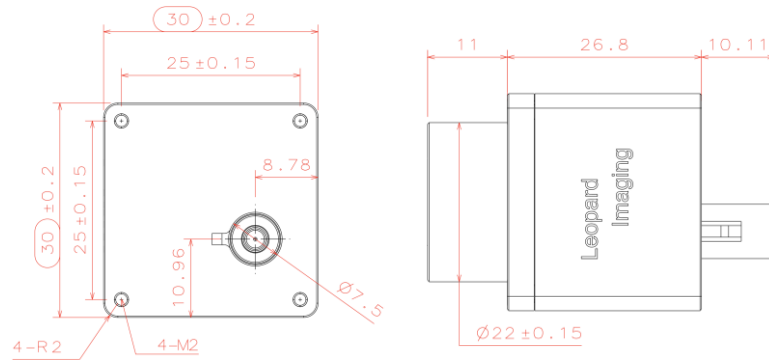
- Sony Diagonal 10.36mm (Type 1/1.55) 5.36MP CMOS Image Sensor IMX490
- Optical format: 1/1.55"
- Resolution: 2880H x 1860V
- Pixel size: 3.0 x 3.0  $\mu$ m
- YUV output without compression
- Includes GEO Semi GW5400 ISP
- Support HDR
- Lens: FOV H 65°
- TI953 FPD-Link III Serializer
- Connector: FAKRA Z TYPE
- Water proof: IP67
- Operation Temp: -40°C ~ +85°C
- Storage Temp: -40°C ~ +105°C
- Size: 30 x 30 x 37.8 mm
- Weight: 55 ~ 80g (based on lens)
- Part#: **LI-IMX490-GW5400-FPDLINKIII-xxxH**



## Application

- Automotive ADAS
- 5MP video applications
- ADAS + Viewing Fusion

## Dimensions



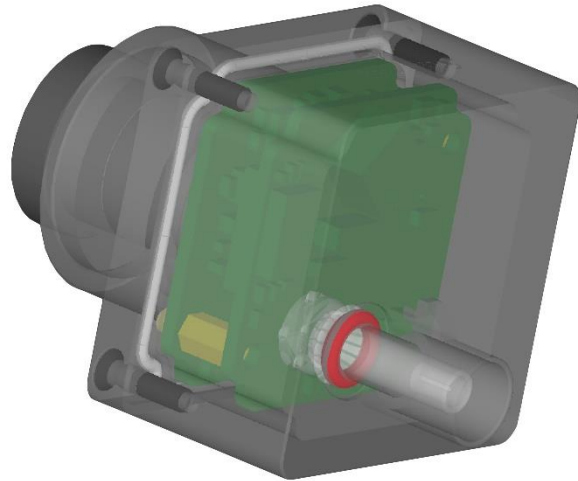
Leopard Imaging Inc.

910 Auburn Ct, Fremont, CA 94538, USA  
 Phone: +1-408-263-0988  
 Fax: +1-408-217-1960  
 Email: sales@leopardimaging.com  
 Website: www.leopardimaging.com

## Water Proof

- Metal Housing
- Water-proof lens
- Sealed Gasket (White)
- Sealed O-ring (Red)

Note: The lens must be glued for water-proof.



## Cable Connector

- Housing Connector- FAKRA Z Type
- Cable length: 3 meters  
Support single Coax Cable transmit up to 12 meters
- Cable Part#: FAK-SMZSMZ-3M
- FAKRA type connectors



Leopard Imaging Inc.

910 Auburn Ct, Fremont, CA 94538, USA  
Phone: +1-408-263-0988  
Fax: +1-408-217-1960  
Email: sales@leopardimaging.com  
Website: www.leopardimaging.com

## Ordering Information

**Part#: LI-IMX490-GW5400-FPDLINKIII-xxxH**

Note:

xxxH - 065H: FOV H 65°



Leopard Imaging Inc.

910 Auburn Ct, Fremont, CA 94538, USA  
Phone: +1-408-263-0988  
Fax: +1-408-217-1960  
Email: [sales@leopardimaging.com](mailto:sales@leopardimaging.com)  
Website: [www.leopardimaging.com](http://www.leopardimaging.com)

## LI-USB30-DESER-FPDLINKIII-FP



LI-IMX490-GW5400-FPDLINKIII can connect to LI-USB30-DESER-FPDLINKIII-FP as a USB 3.0 camera.

Part#: **LI-USB30-IMX490-GW5400-FPDLINKIII-xxxH**

### Key Features

- USB 3.0 Super Speed support
- YUV output without compression
- Support HDR
- UVC compliance
- Provide customization services
- 12VDC Power Supply (Comes with camera)
- Weight: 178 g
- Single Coax Cable transmit up to 12 meter PoC(Power over Cable)
- Support 2880x1860@25fps
- Power consumption: < 230mA at 12VDC
- Support Windows, Linux OS and other OS which include UVC drivers



### SDK Supported

- Camera Tool Source Code in C#
- Capture & Display
- ISP Rom Update



Leopard Imaging Inc.

910 Auburn Ct, Fremont, CA 94538, USA

Phone: +1-408-263-0988

Fax: +1-408-217-1960

Email: sales@leopardimaging.com

Website: www.leopardimaging.com

## Revision History

Revision	Description	Release Date
1.0	First Release	29. Aug. 2019
1.1	Add 030H lens and remove other lenses	27. Nov. 2019
1.2	Add 120H lens	13. Mar. 2020
1.3	1. Upgrade GW5200 to GW5400 2. Remove 030H and 120H lens 3. Add 065H lens	24. Dec. 2020
1.4	Change the USB3.0 Tester to FP version	29. Jan. 2021
1.5	Deleted lens model info.	11. Aug. 2023

