



LEOPARD
IMAGING

LI-IMX490-GMSL2-xxxH



Address:

910 Auburn Ct
Fremont, CA 94538
USA



Phone:

+1 (408)263-0988

Fax:

+1 (408)217-1960



Sales:

sales@leopardimaging.com

Support:

support@leopardimaging.com

INTRODUCTION

The LI-IMX490-GMSL2-xxxH is equipped with Sony automotive sensor IMX490 and Maxim GMSL2 serializer MAX9295A/B and is designed for automotive applications. This camera outputs RAW image data with HDR (High Dynamic Range) supported.

KEY FEATURES

Sensor	Sony Diagonal 10.36 mm (Type 1/1.55) CMOS Image Sensor IMX490
Optical Format	1/1.55"
Resolution	2897 (H) x 1877 (V) (active pixels)
Pixel Size	3.0 x 3.0 μm
Data Format	20-bit / 16-bit / 14-bit / 12-bit RAW
Color / Mono	Color sensor
Maximum Frame Rate	40 fps @ 2880 x 1860
HDR (High Dynamic Range)	Supported
LFM (LED Flicker Mitigation)	Supported
Lens	FOV H 30° / 40° / 65° / 90°
Serializer	Maxim MAX9295A/B
Power Supply Range	9 ~ 19 VDC
Connector	FAKRA Z TYPE
IP Rating	FOV H 30°: IP69K FOV H 40° / 65° / 90°: IP67
Power Consumption	102 mA @ 12 VDC (2880 x 1860 @ 19 fps)
Operating Temp	-40°C ~ +85°C
Storage Temp	-40°C ~ +85°C
Weight	~ 55 g
Part#	LI-IMX490-GMSL2-xxxH

APPLICATIONS

- Automotive ADAS
- Automotive Rear View or Backup

IMAGE ORIENTATION

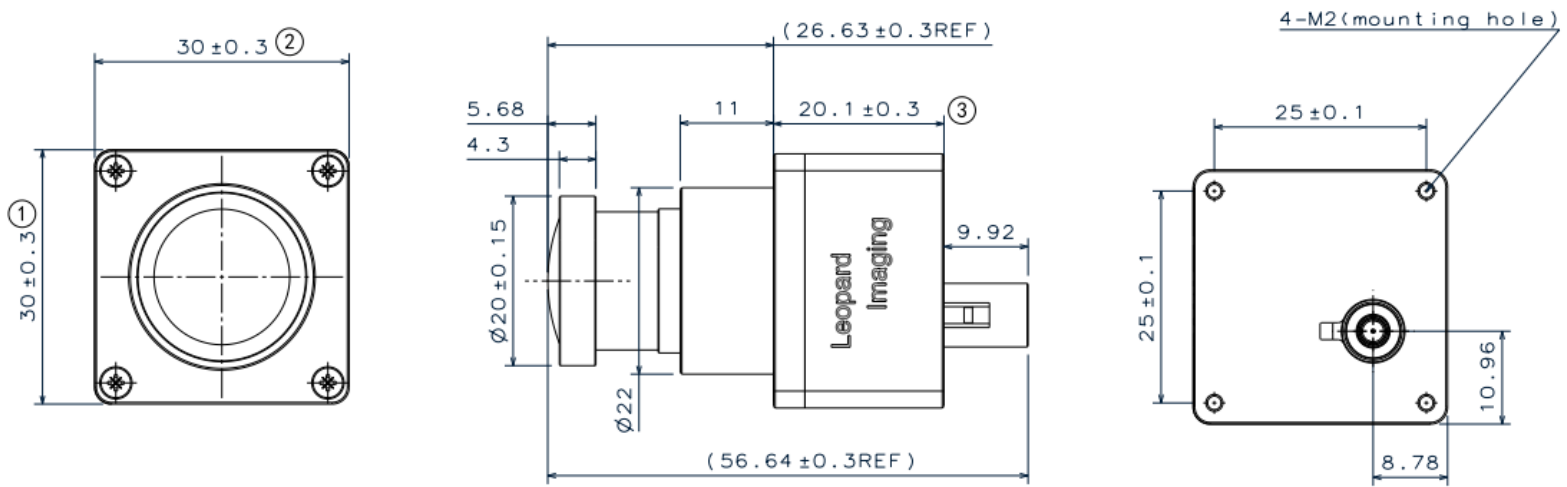


CABLE CONNECTOR

- Housing Connector: FAKRA Z Type
- Cable Length: 3 meters
- Cable Part#: FAK-SMZSMZ-3M



● DIMENSIONS: LI-IMX490-GMSL2-030H

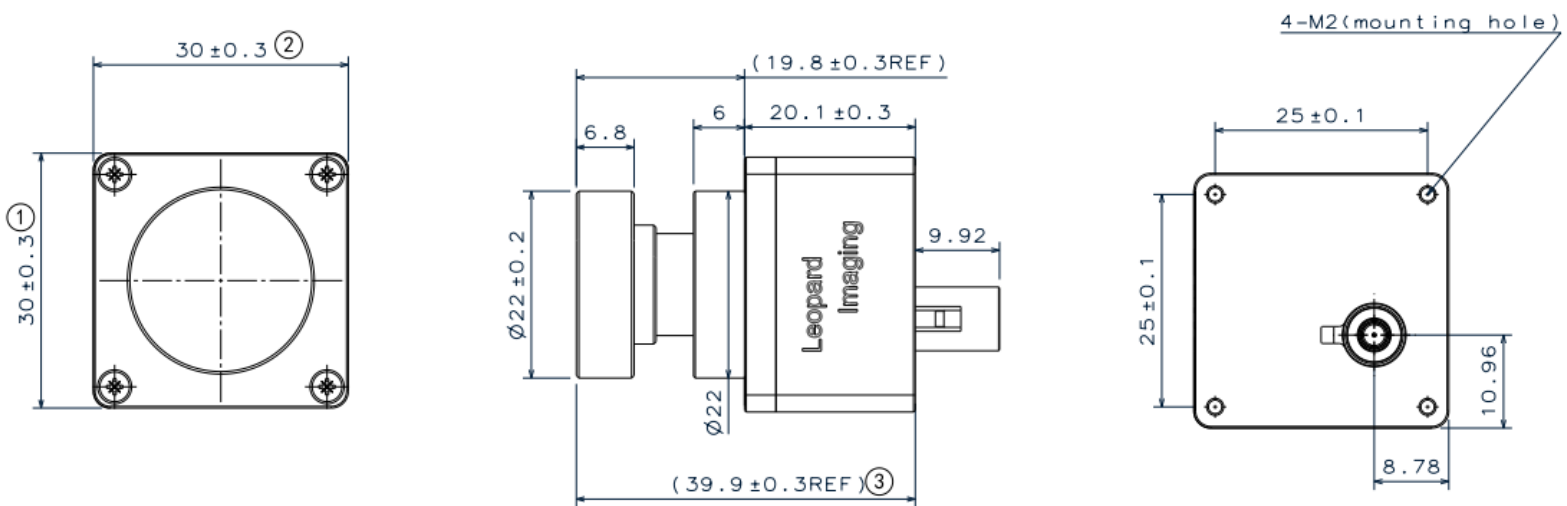


NOTE:

- ⊗ marked are important sizes.
- Tolerances for others unmarked are ± 0.3 mm.

Unit: mm

● DIMENSIONS: LI-IMX490-GMSL2-040H

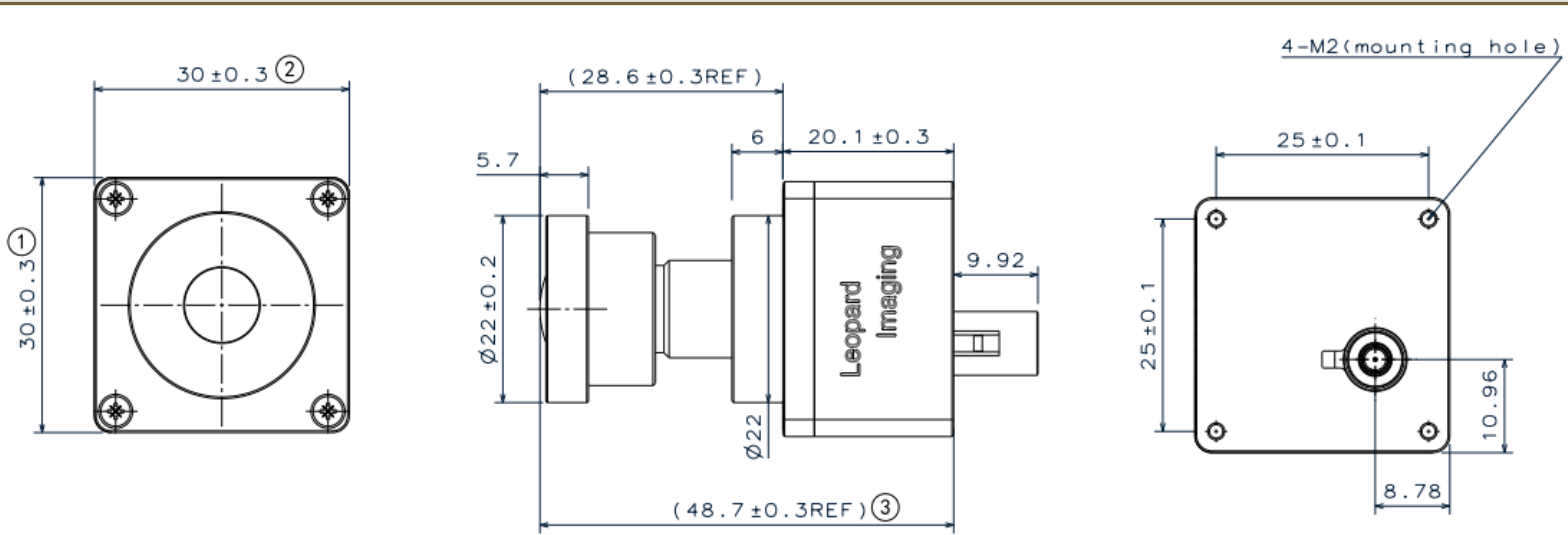


NOTE:

- ⊗ marked are important sizes.
- Tolerances for others unmarked are ± 0.3 mm.

Unit: mm

● DIMENSIONS: LI-IMX490-GMSL2-065H

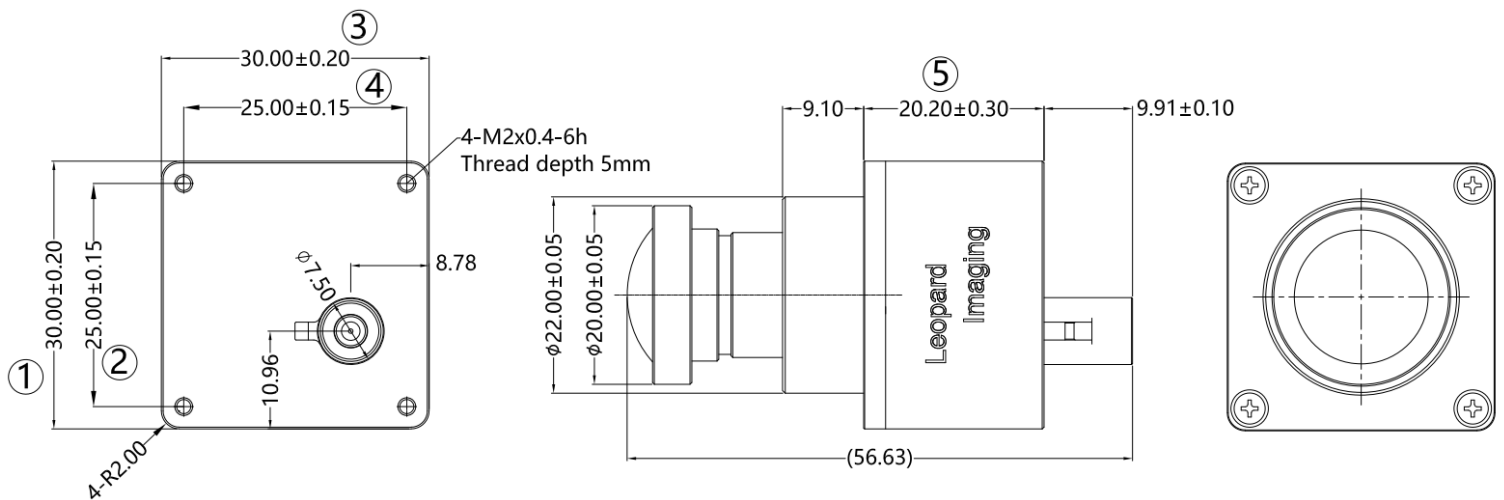


NOTE:

- \otimes marked are important sizes.
- Tolerances for others unmarked are ± 0.3 mm.

Unit: mm

● DIMENSIONS: LI-IMX490-GMSL2-090H



NOTE:

- \otimes marked are important sizes.
- Tolerances for others unmarked are ± 0.3 mm.

Unit: mm

LENS SPECIFICATIONS

xxxH refers to 030H (FOV H 30°), 040H (FOV H 40°), 065H (FOV H 65°), and 090H (FOV H 90°)

LI-IMX490-GMSL2-030H	LI-IMX490-GMSL2-040H
	
Lens EFL: 16.37 mm	Lens EFL: 11.9 mm
Aperture, F/#: 1.6	Aperture, F/#: 2.0
Field of View (FOV): 35.5° (D) / 30.0° (H) / 19.5° (V)	Field of View (FOV): 44.4° (D) / 38.0° (H) / 20.8° (V)
Mount: M17	Mount: M12

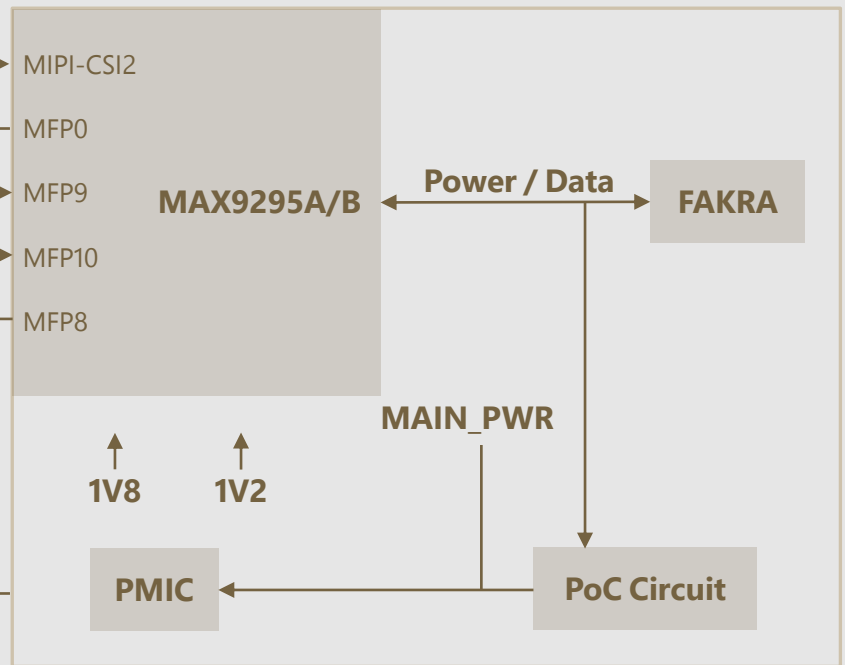
LI-IMX490-GMSL2-065H	LI-IMX490-GMSL2-090H
	
Lens EFL: 7.9 mm	Lens EFL: 5.39 mm
Aperture, F/#: 2.0	Aperture, F/#: 2.6
Field of View (FOV): 74.0° (D) / 65.0° (H) / 37.0° (V)	Field of View (FOV): 90° (H)
Mount: M12	Mount: M14

PINOUT CONNECTIONS

(I2C: 0x1A 7-bit)



(I2C: 0xC4 8-bit)



USB3.0 CAMERA KIT

LI-GMSL2-USB



Top View



Bottom View

LI-IMX490-GMSL2-xxxH can connect to LI-GMSL2-USB as a USB 3.0 camera.

Part#: **LI-USB30-IMX490-GMSL2-xxxH**

SPECIFICATIONS

- USB 3.0 Super Speed support
- RAW data output without compression
- UVC compliant
- Allows customization
- 12 VDC power supply for camera
- Weight: ~ 86 g
- Single Coax Cable transmits up to 12 meters PoC (Power over Cable)
- Resolution: 2880 x 1860 @ 19 fps
- Power consumption: 102 mA @ 12 VDC
- Compatible with Windows, Linux OS and other OS which have UVC drivers

BOM

#	Items	QTY
1	LI-IMX490-GMSL2-xxxH	1
2	LI-GMSL2-USB	1
3	3-Meter Fakra Cable	1
4	12 VDC Power Supply	1
5	USB3.0 Cable	1



SDK SUPPORTED

- Camera Tool Source Code in C#
- Capture & Display
- Register Access Function
- Save file as BMP & RAW format

REVISION HISTORY

Revision	Description	Release Date
1.0	First release.	20 Aug 2019
1.1	Added DSL492 lens and updated the resolution to full size.	26 Aug 2019
1.2	Added 030H lens.	02 Aug 2019
1.3	Changed CAR-53 lens to CAR-55.	02 Jun 2021
1.4	Replaced CAR-36 with CAR-56 and updated 2D dimensions, power consumption, frame rate, resolution, and storage temp.	26 Nov 2021
1.5	Updated 090H lens.	04 Jan 2023
1.6	Deleted HDR function on the USB30 page.	07 Apr 2023
1.7	Updated IP rating of 090H lens.	19 Jun 2023
1.8	Updated image direction.	27 Dec 2023
1.9	Deleted 120H lens.	22 Jan 2024

910 Auburn Ct, Fremont, CA 94538, USA

Phone: +1-408-263-0988

Fax: +1-408-217-1960

Email: sales@leopardimaging.com

Website: www.leopardimaging.com

