

Key Features

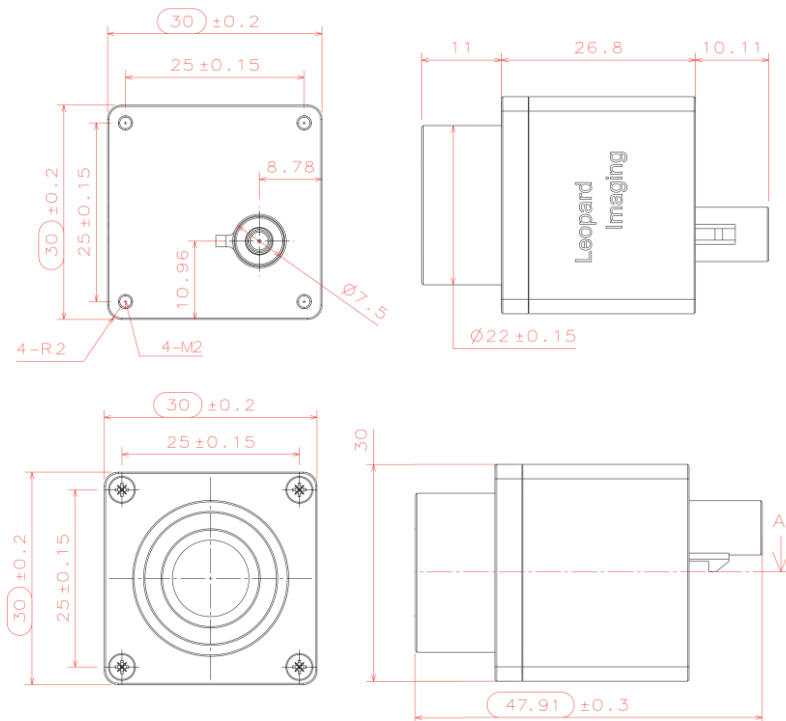
- Sony Diagonal 9.69 mm (Type 1/1.7) CMOS Image Sensor IMX424
- Optical format: 1/1.7"
- Resolution: 1920 (H) x 1080 (V)
- Pixel size: 2.25 x 2.25 μm
- YUV output without compression
- Includes GEO Semi GW5400 ISP
- Supports HDR
- Lens: FOV H 40° / 65° / 120°
- TI953 Serializer
- Supports 9V ~ 19V power supply
- Connector: FAKRA Z TYPE
- IP Rating: IP67 or IP69K
- Operation Temp: -40°C ~ +85°C
- Storage Temp: -40°C ~ +125°C
- Weight: ~ 50 g
- Part#: **LI-IMX424-GW5400-FPDLINKIII-xxxH**



Application

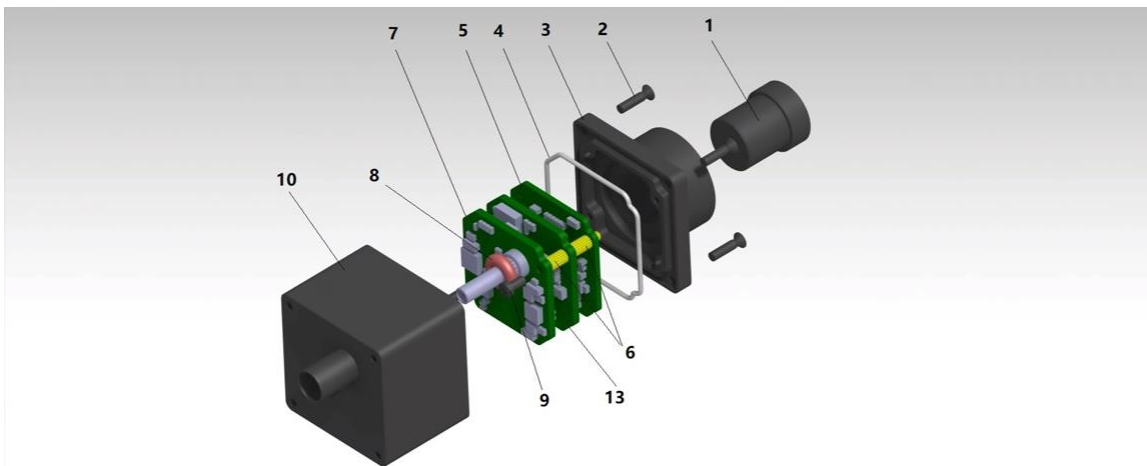
- Automotive ADAS
- ADAS + Viewing Fusion

Dimensions

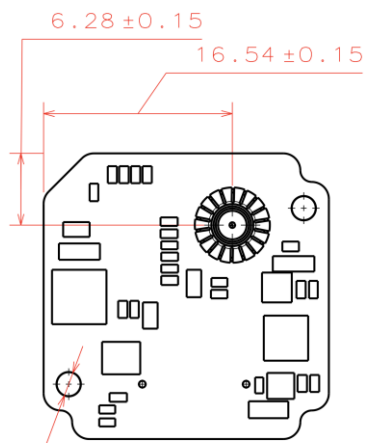
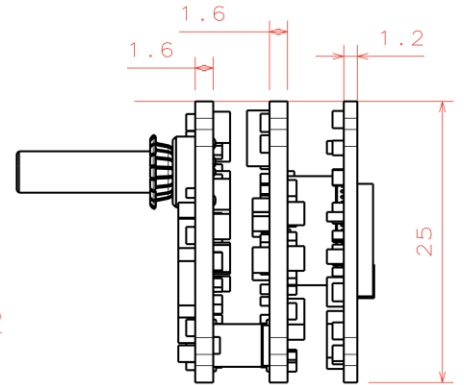
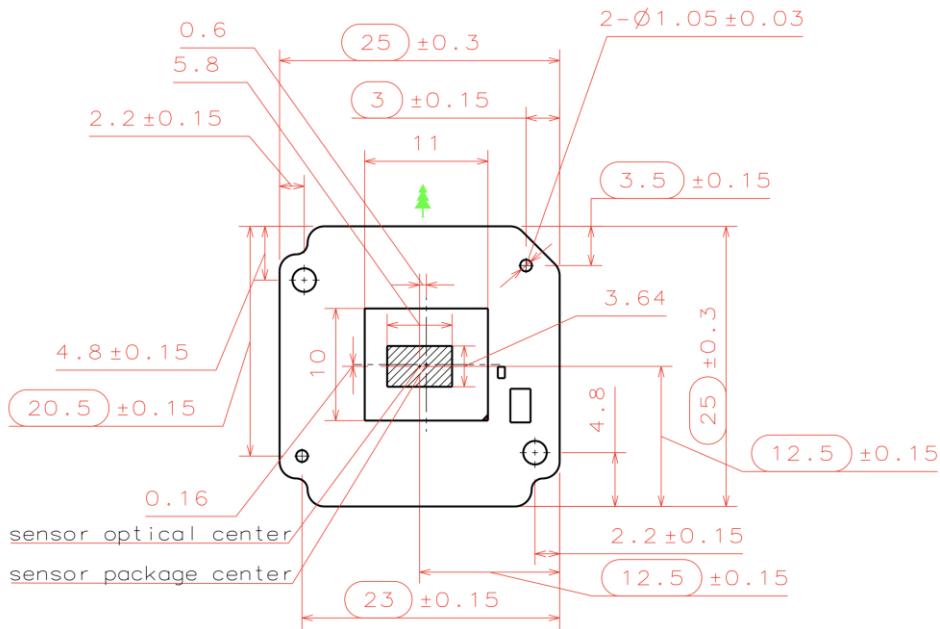


BOM

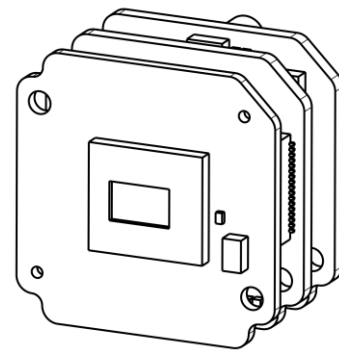
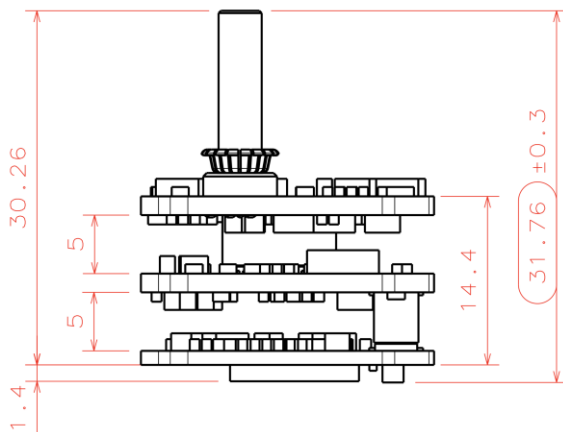
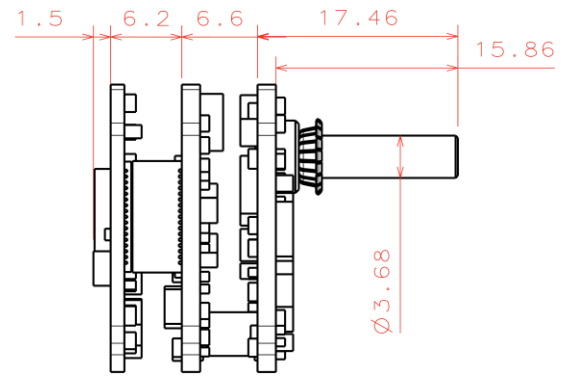
#	Name	SPEC	QTY/SET
1	M12 Lens	040H / 065H / 120H	1
2	Screw	KM2*8 black STAINLESS 304	4
3	Shell 2	AL6061-T6 BLACK Anodizing	1
4	Sealing ring	Silicon rubber, White	1
5	LI-IMX424-MIPI-FKR	IMX424 sensor board	1
6	Copper pillar	M2*5+4	4
7	LI-TI953-FKR	TI953 serializer board	1
8	O ring	7*2.4 Silicon rubber Red	1
9	Screw	M2*4 black ZINC	2
10	Shell 1	AL6061-T6 BLACK Anodizing	1
13	LI-GW5400-MIPI	GW5400 ISP board	1



Camera Boards Dimensions



2-∅2.1 ± 0.05

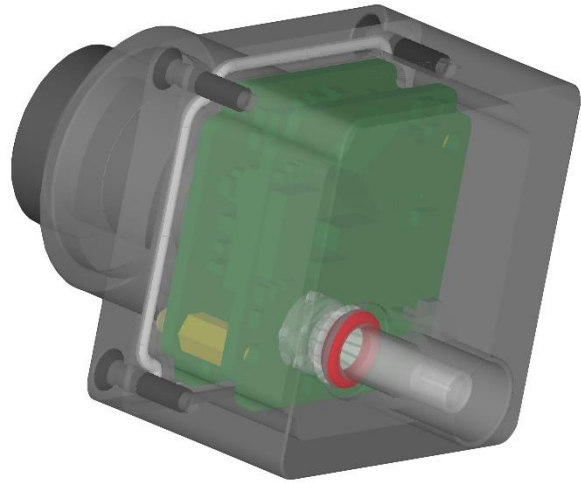


910 Auburn Ct, Fremont, CA 94538, USA
 Phone: +1-408-263-0988
 Fax: +1-408-217-1960
 Email: sales@leopardimaging.com
 Website: www.leopardimaging.com

Water Proof

- Metal Housing
- Water-proof M12 lens
- Sealed Gasket (White)
- Sealed O-ring (Red)

Note: The lens must be glued for water proof.



Cable Connector

- Housing Connector- FAKRA Z Type
- Cable length: 3 meters
Supports single Coax Cable transmit up to 12 meters
- Cable Part#: FAK-SMZSMZ-3M
- FAKRA type connectors



Ordering Information

Part#: LI-IMX424-GW5400-FPDLINKIII-xxxH

Note:

xxxH - 040H: FOV H 40°
 065H: FOV H 65°
 120H: FOV H 120°

LI-IMX424-GW5400-FPDLINKIII-040H	LI-IMX424-GW5400-FPDLINKIII-065H	LI-IMX424-GW5400-FPDLINKIII-120H
		
<p>Lens EFL: 11.9 mm F/#: 2.0 FOV(D): 42.7° FOV(H): 39.1° FOV(V): 16.9° Mount: M12</p>	<p>Lens EFL: 7.9 mm F/#: 2.0 FOV(D): 69.2° FOV(H): 63.3° FOV(V): 28.5° Mount: M12</p>	<p>Lens EFL: 4.49 mm F/#: 1.6 FOV(D): 133.5° FOV(H): 119° FOV(V): 52° Mount: M16</p>



LI-FPDLINKIII-FP-USB-BOX



LI-IMX424-GW5400-FPDLINKIII can connect to LI-FPDLINKIII-FP-USB-BOX as a USB 3.0 camera.

Part#: **LI-USB30-IMX424-GW5400-FPDLINKIII-xxxH**

Key Features

- USB 3.0 Super Speed support
- YUV output without compression
- Supports HDR
- UVC compliant
- Allows customization
- 12 VDC Power Supply (Comes with camera)
- Weight: ~ 178 g
- Single Coax Cable transmits up to 12-meter PoC (Power over Cable)
- Resolution: 1920 x 1080 @ 30 fps
- Power consumption: < 215 mA @ 12 VDC
- Compatible with Windows, Linux OS and other OS which have UVC drivers

SDK Supported

- Camera Tool Source Code in C#
- Capture & Display



Revision History

Revision	Description	Release Date
1.0	First Release.	7. Aug. 2019
1.1	Upgraded GW5200 to GW5400.	24. Dec. 2020
1.2	Updated 120H lens.	30. Mar. 2021
1.3	Deleted lens model info.	08. Aug. 2023

