



LEOPARD
IMAGING

LI-IMX424-FPDLINKIII-xxxH

Data Sheet

Key Features

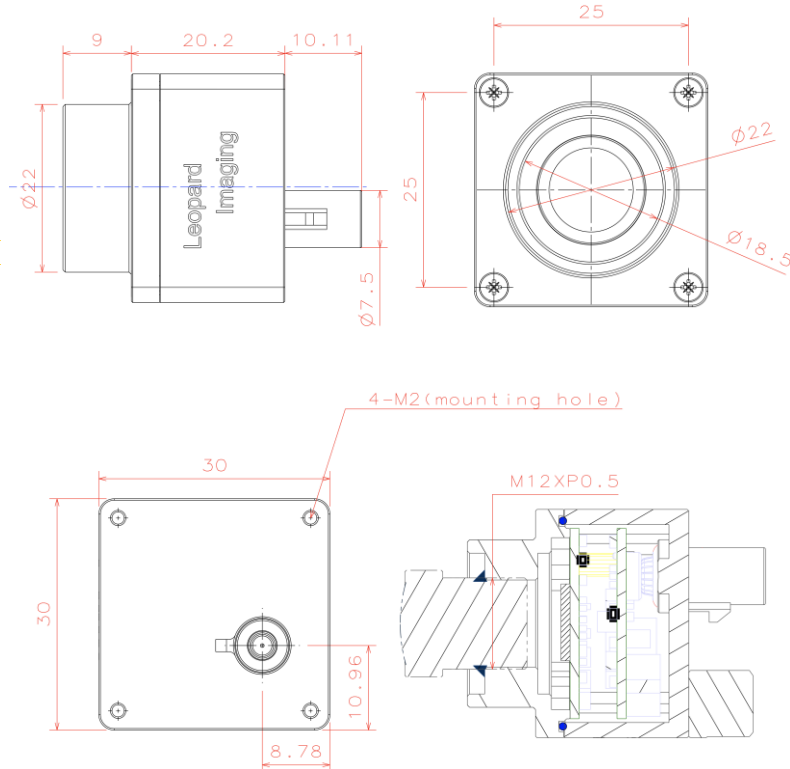
- Sony Diagonal 9.69mm (Type 1/1.7) CMOS Image Sensor IMX424
- Optical Format: 1/1.7"
- Max Resolution: 3849 (H) x 1929 (V)
- Pixel Size: 2.25 x 2.25 μm
- Output 12 bit RAW data
- Support 12V Power
- Lens: FOV H 40° / 65° / 120°
- TI953 FPD-Link III serializer
- Connector: FAKRA Z TYPE
- Water-proof: IP67 / IPX9K
- Operation Temp: -40°C ~ +85°C
- Storage Temp: -40°C ~ +105°C
- Size: 30 (L) x 30 (W) x 20.2 (D) mm
- Weight: ~ 45 g
- Part#: **LI-IMX424-FPDLINKIII-xxxH**



Application

- Automotive ADAS
- Automotive Rear View or Backup

Dimensions

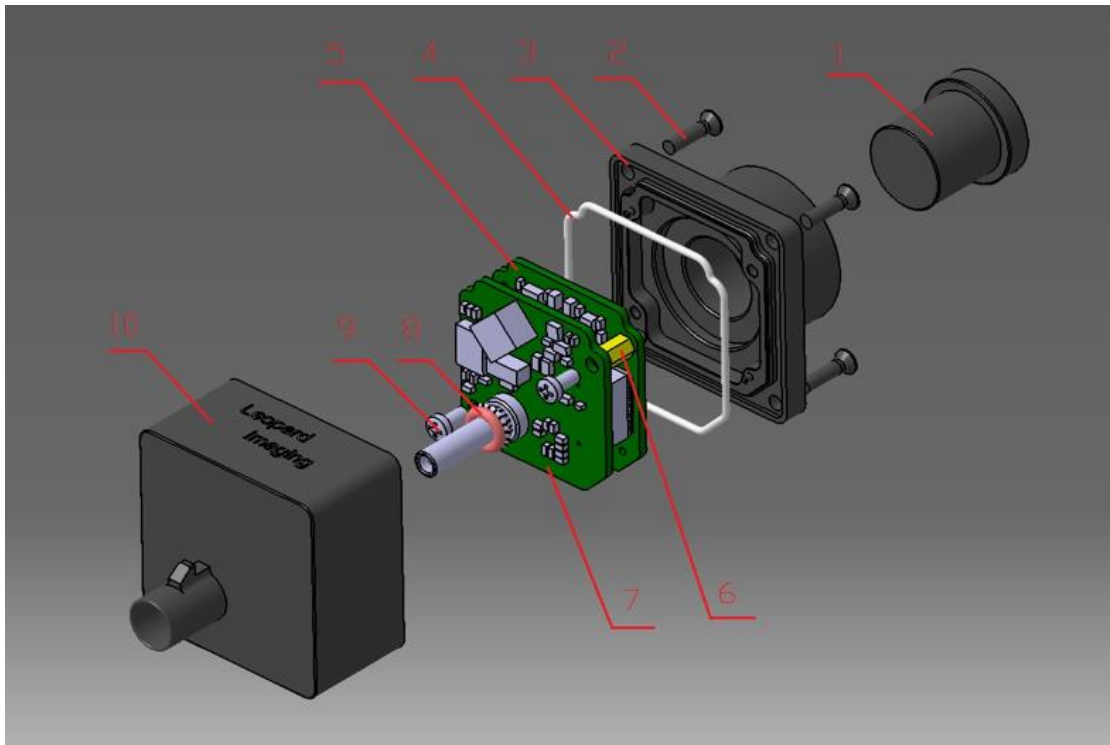


Leopard Imaging Inc.

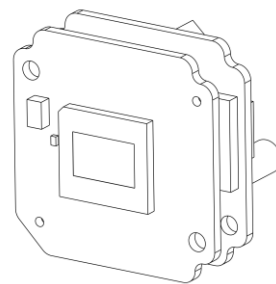
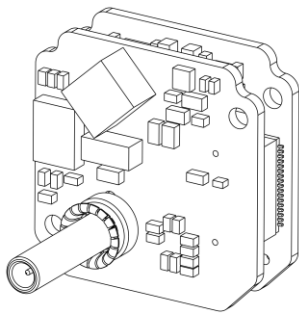
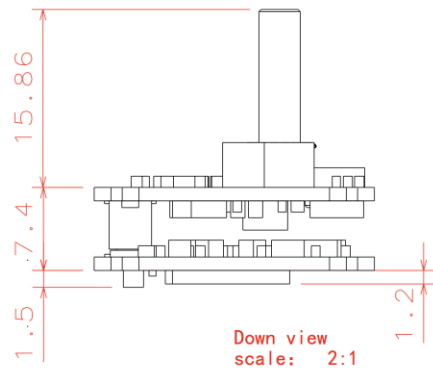
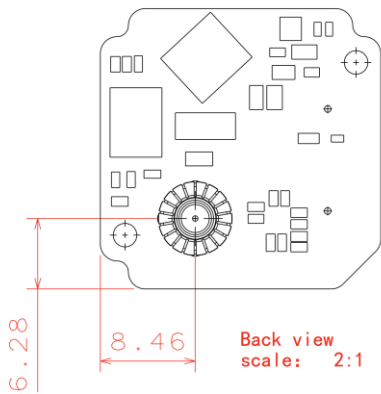
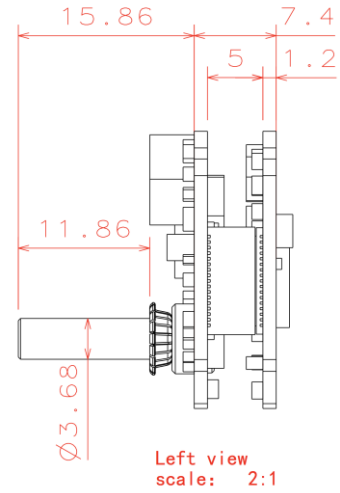
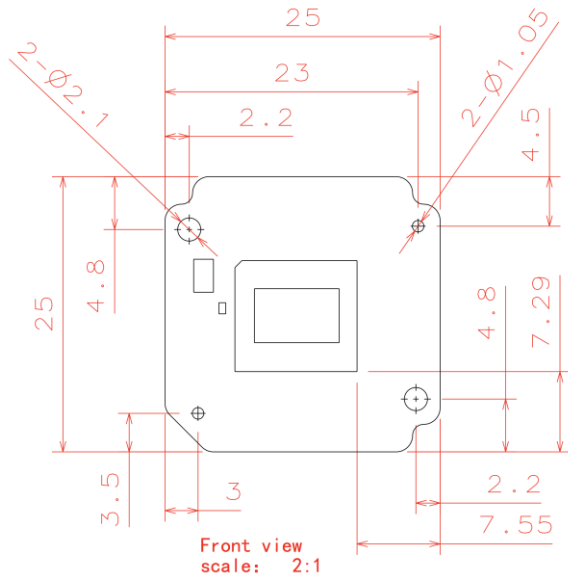
910 Auburn Ct, Fremont, CA 94538, USA
 Phone: +1-408-263-0988
 Fax: +1-408-217-1960
 Email: sales@leopardimaging.com
 Website: www.leopardimaging.com

BOM

#	Name	SPEC	QTY/SET
1	Lens	040H / 065H / 120H	1
2	Screw	M2*8 cross flat head black ZINC	4
3	Shell 2	AL6061-T6 BLACK Anodizing	1
4	Sealing ring	Silicon rubber, White	1
5	LI-IMX424-MIPI-FKR	IMX424 sensor board	1
6	Copper pillar	M2*5+3	2
7	LI-TI953-FKR	FPD-Link III serializer board	1
8	O ring	6.5*1.5 Silicon rubber Red	1
9	Screw	M2*4 cross pan head black ZINC	2
10	Shell 1	AL6061-T6 BLACK Anodizing	1



Camera Boards Dimensions

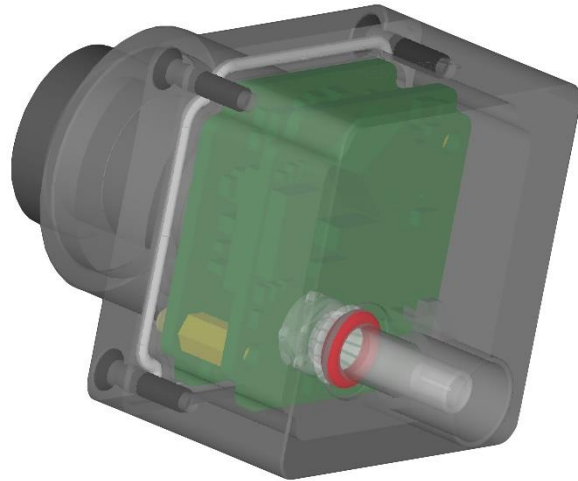


Leopard Imaging Inc.

910 Auburn Ct, Fremont, CA 94538, USA
 Phone: +1-408-263-0988
 Fax: +1-408-217-1960
 Email: sales@leopardimaging.com
 Website: www.leopardimaging.com

Water Proof

- Metal Housing
- Water-proof M12 / M16 lens
- Sealed Gasket (White)
- Sealed O-ring (Red)



Cable Connector

- Housing Connector:
FAKRA Z Type
- Cable length: 3 meters
Support single Coax Cable
transmit up to 12 meters
- Cable Part#: FAK-
SMZSMZ-3M
- FAKRA type connectors



Leopard Imaging Inc.

910 Auburn Ct, Fremont, CA 94538, USA
Phone: +1-408-263-0988
Fax: +1-408-217-1960
Email: sales@leopardimaging.com
Website: www.leopardimaging.com

Ordering Information

Part#: LI-IMX424- FPDLINKIII -xxxH

Note:

xxxH - 040H: FOV H 40°
 065H: FOV H 65°
 120H: FOV H 120°

LI-IMX424-FPDLINKIII-040H	LI-IMX424-FPDLINKIII-065H	LI-IMX424-FPDLINKIII-120H
		
<p>Lens EFL: 11.9 mm F/#: 2.0 FOV(D): 44.5° FOV(H): 39° FOV(V): 20° Mount: M12</p>	<p>Lens EFL: 7.9 mm F/#: 2.0 FOV(D): 71.5° FOV(H): 64.5° FOV(V): 32° Mount: M12</p>	<p>Lens EFL: 4.49 mm F/#: 1.6 FOV(D): 154.9° FOV(H): 120.0° FOV(V): 73.2° Mount: M16</p>

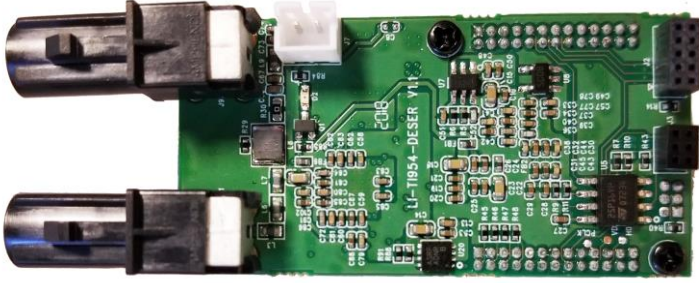


Leopard Imaging Inc.

910 Auburn Ct, Fremont, CA 94538, USA
 Phone: +1-408-263-0988
 Fax: +1-408-217-1960
 Email: sales@leopardimaging.com
 Website: www.leopardimaging.com

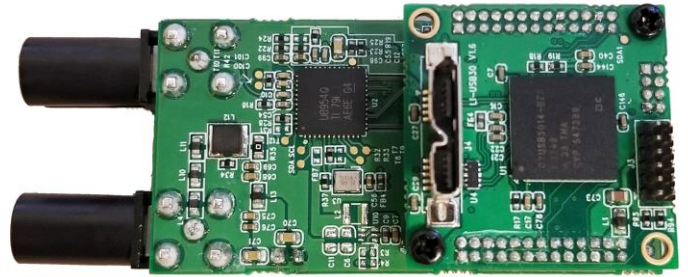
LI-USB30-IMX424-FPDLINKIII-xxxH

LI-TI954-DESER



Front View

LI-USB30-CNTL



Back View

LI-IMX424- FPDLINKIII can connect to USB 3.0 EVA module as a USB 3.0 camera.

Part#: **LI-USB30-IMX424-FPDLINKIII-xxxH**

Key Features

- USB 3.0 Super Speed support
- RAW data output without compression
- UVC compliance
- Provide customization services
- USB +5VDC powered device
- Weight: ~ 86 g
- Single Coax Cable transmit up to 12 meter PoC (Power over Cable)
- Support 3840 x 1928 @ 17fps
- Power consumption: Approx. 91mA at 12VDC
- Support Windows, Linux OS and other OS which include UVC drivers

SDK Supported

- Camera Tool Source Code in C#
- Capture & Display
- Save file as BMP & RAW format
- Support register access function



Leopard Imaging Inc.

910 Auburn Ct, Fremont, CA 94538, USA
Phone: +1-408-263-0988
Fax: +1-408-217-1960
Email: sales@leopardimaging.com
Website: www.leopardimaging.com

Revision History

Revision	Description	Release Date
1.0	First Release.	17. Aug. 2018
1.1	Updated the lens information.	24. Aug. 2018
1.2	Updated 120H lens.	29. Apr. 2019
1.3	Added 040H and 065H lens.	6. Aug. 2019
1.4	Updated 120H lens.	2. Jun. 2021
1.5	Deleted lens model info.	08. Aug. 2023



Leopard Imaging Inc.

910 Auburn Ct, Fremont, CA 94538, USA
Phone: +1-408-263-0988
Fax: +1-408-217-1960
Email: sales@leopardimaging.com
Website: www.leopardimaging.com