



LI-IMX412-GMSL2-xxxH

Data Sheet

Key Features

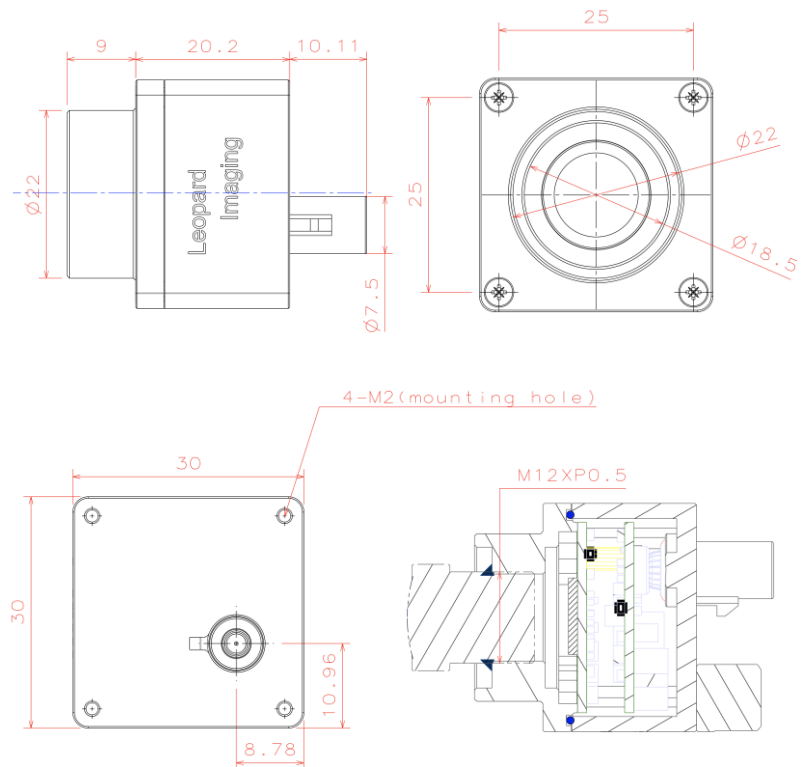
- Sony Diagonal 7.857mm (Type 1/2.3)
12.3MP CMOS Image Sensor IMX412
- Optical format: 1/2.3"
- Number of active pixels: 4056H x 3040V
- Pixel size: 1.55 x 1.55 μ m
- Output Raw data
- Support 9V ~ 19V Power
- Lens: FOV H 67°
- GMSL2 Serializer
- Connector: FAKRA Z TYPE
- Water proof: IP67
- Operating Temp: -20°C ~ +75°C
- Storage Temp: -30°C ~ +80°C
- Size: 30 x 30 x 29.2 mm
- Weight: 50g
- Part#: **LI-IMX412-GMSL2-xxxH**



Application

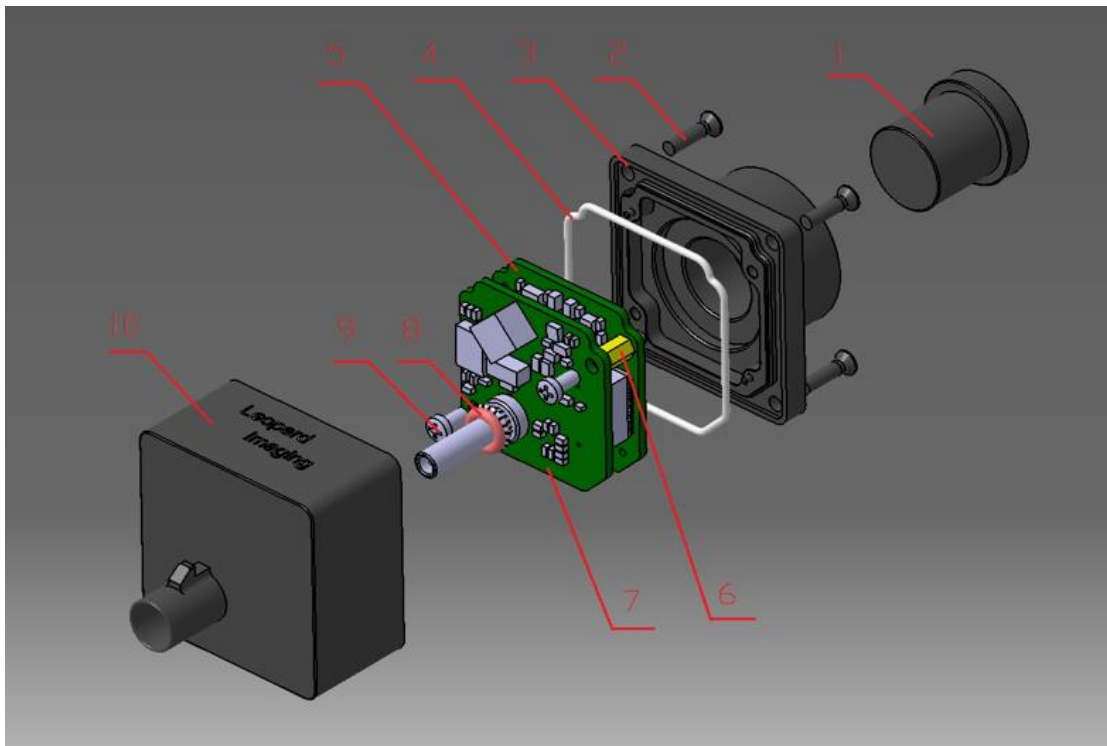
- Industrial camera
- Surveillance camera

Dimensions



BOM

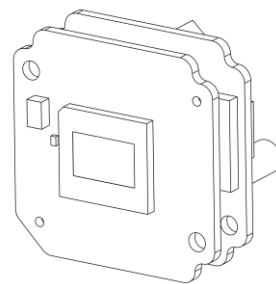
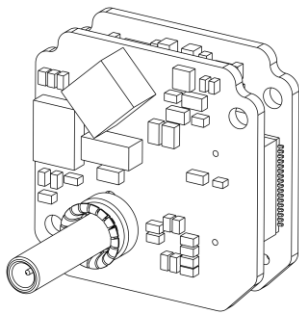
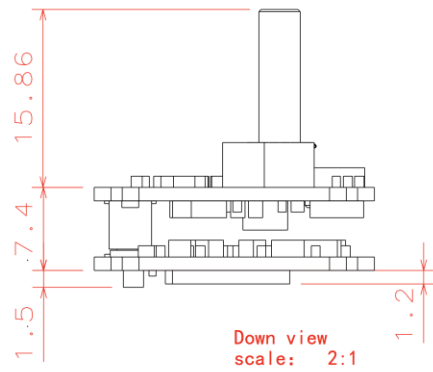
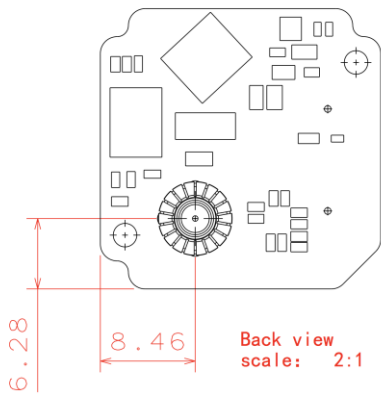
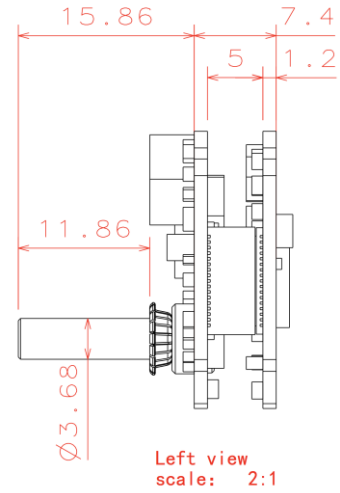
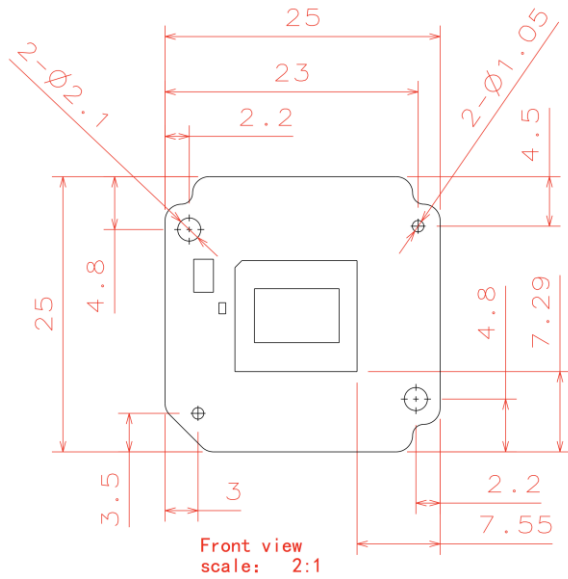
#	Name	SPEC	QTY/SET
1	Lens	FOVH 067°	1
2	Screw	M2*8 cross flat head black ZINC	4
3	Shell 2	AL6061-T6 BLACK Anodizing	1
4	Sealing ring	Silicon rubber, White	1
5	LI-IMX412-MIPI-FKR	IMX412 sensor board	1
6	Copper pillar	M2*5+3	2
7	LI-GMSL2-FKR	GMSL2 board	1
8	O ring	6.5*1.5 Silicon rubber Red	1
9	Screw	M2*4 cross pan head black ZINC	2
10	Shell 1	AL6061-T6 BLACK Anodizing	1



Leopard Imaging Inc.

910 Auburn Ct, Fremont, CA 94538, USA
 Phone: +1-408-263-0988
 Fax: +1-408-217-1960
 Email: sales@leopardimaging.com
 Website: www.leopardimaging.com

Camera boards Dimensions



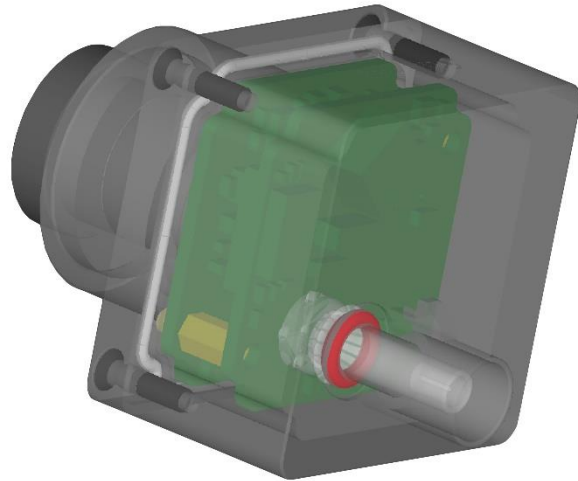
Leopard Imaging Inc.

910 Auburn Ct, Fremont, CA 94538, USA
 Phone: +1-408-263-0988
 Fax: +1-408-217-1960
 Email: sales@leopardimaging.com
 Website: www.leopardimaging.com

Water Proof

- Metal Housing
- Water-proof M12 lens
- Sealed Gasket (White)
- Sealed O-ring (Red)

Note: The lens must be glued for water proof.



Cable Connector

- Housing Connector- FAKRA Z Type
- Cable length: 3 meters
Support single Coax Cable transmit up to 12 meters
- Cable Part#: FAK-SMZSMZ-0008
- FAKRA type connectors



Ordering Information

Note:

xxxH - 067H: FOV H 67°



Leopard Imaging Inc.

910 Auburn Ct, Fremont, CA 94538, USA
Phone: +1-408-263-0988
Fax: +1-408-217-1960
Email: sales@leopardimaging.com
Website: www.leopardimaging.com

LI-GMSL2-DESER



Front View

LI-USB30-CNTL



Back View

LI-IMX412-GMSL2-xxxH can connect to USB 3.0 EVA module as a USB 3.0 camera.

Part#: **LI-USB30-IMX412-GMSL2-xxxH**

Key Features

- USB 3.0 Super Speed support
- RAW data output without compression
- UVC compliance
- Provide customization services
- 12VDC Power Supply
- Weight: 86 g
- Single Coax Cable transmit up to 12 meter PoC(Power over Cable)
- Support 2028x1520@7.4fps
- Power consumption: TBD
- Support Windows, Linux OS and other OS which include UVC drivers

SDK Supported

- Camera Tool Source Code in C#
- Capture & Display
- Save file as BMP & RAW format
- Support register access function



Revision History

Revision	Description	Release Date
1.0	First Release	08. Oct. 2019
1.1	Deleted lens model info.	10. Aug. 2023



Leopard Imaging Inc.

910 Auburn Ct, Fremont, CA 94538, USA
Phone: +1-408-263-0988
Fax: +1-408-217-1960
Email: sales@leopardimaging.com
Website: www.leopardimaging.com