

### Key Features

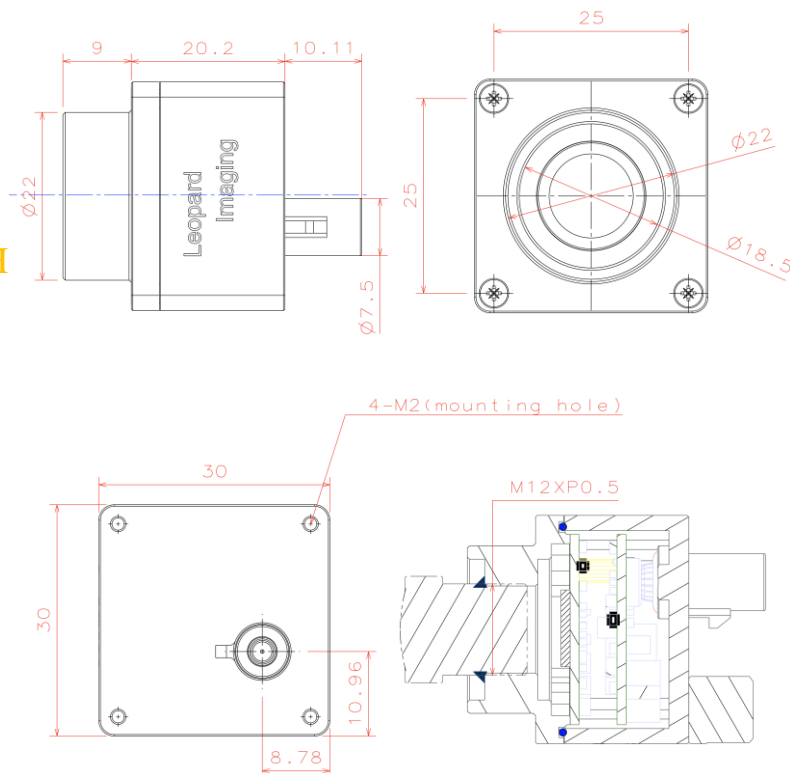
- Sony Diagonal 7.857mm (Type 1/2.3)  
12.3MP CMOS Image Sensor IMX412
- Optical format: 1/2.3"
- Maximum resolution: 4056H x 3040V
- Pixel size: 1.55 x 1.55  $\mu\text{m}$
- Output Raw data
- Support 9V ~ 19V Power
- Lens: FOV H 67°
- TI953 FPD-Link III serializer
- Connector: FAKRA Z TYPE
- Water proof: IP67
- Operation Temp: -20°C ~ +75°C
- Storage Temp: -30°C ~ +85°C
- Size: 30 x 30 x 29.2 mm
- Weight: 50g
- Part#: **LI-IMX412-FPDLINKIII-xxxH**



### Application

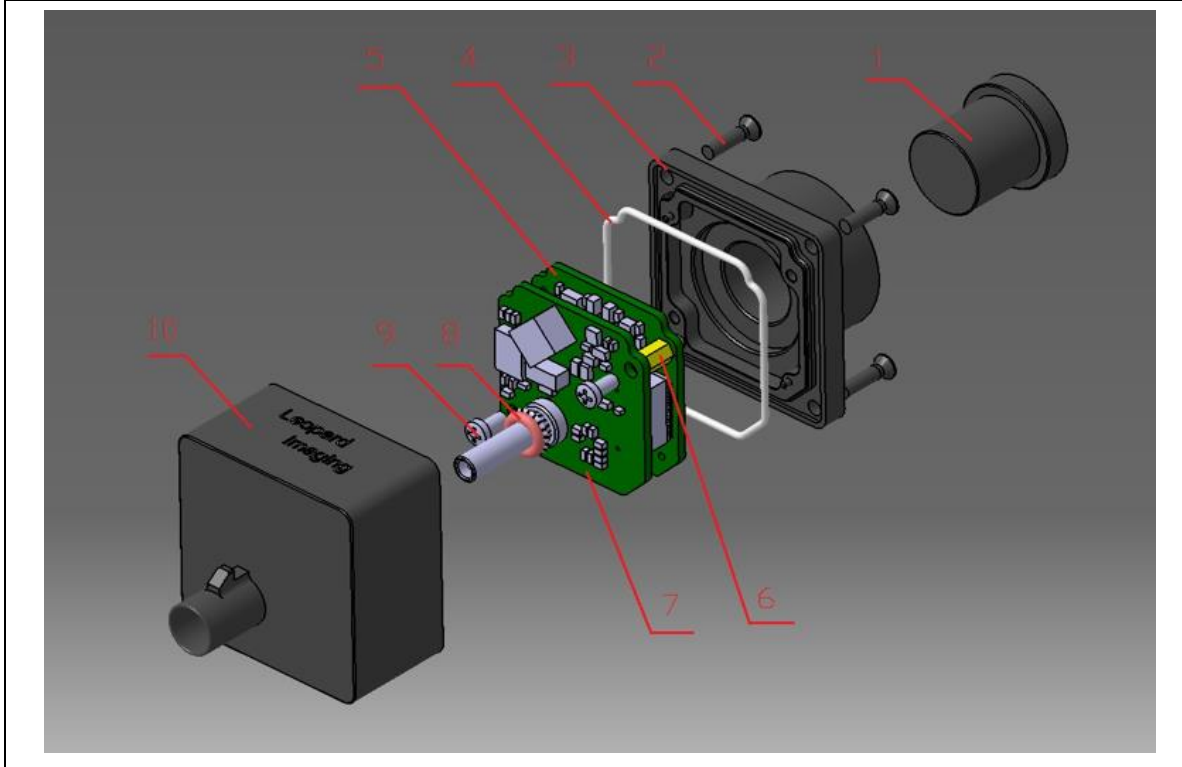
- Industrial camera
- Surveillance camera

### Dimensions



## BOM

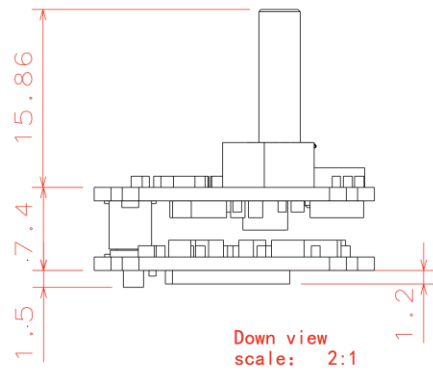
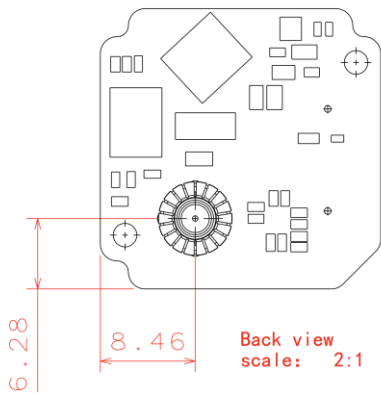
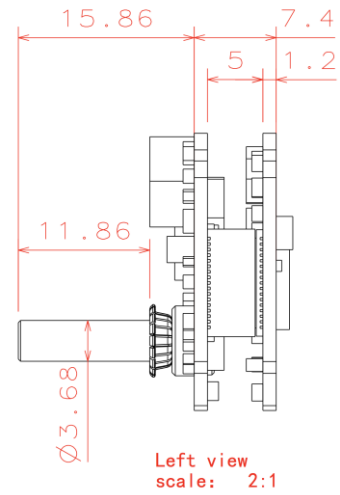
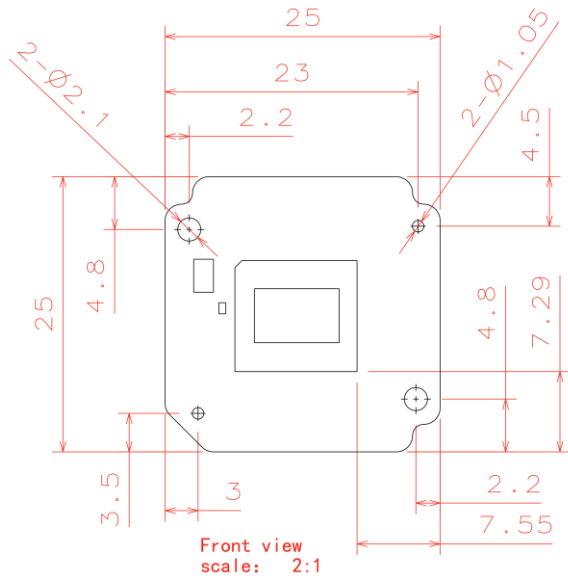
#	Name	SPEC	QTY/SET
1	Lens	FOVH 67°	1
2	Screw	M2*8 cross flat head black ZINC	4
3	Shell 2	AL6061-T6 BLACK Anodizing	1
4	Sealing ring	Silicon rubber, White	1
5	LI-IMX412-MIPI-FKR	IMX412 sensor board	1
6	Copper pillar	M2*5+3	2
7	LI-TI953-FKR	FPD-Link III serializer board	1
8	O ring	6.5*1.5 Silicon rubber Red	1
9	Screw	M2*4 cross pan head black ZINC	2
10	Shell 1	AL6061-T6 BLACK Anodizing	1



Leopard Imaging Inc.

910 Auburn Ct, Fremont, CA 94538, USA  
 Phone: +1-408-263-0988  
 Fax: +1-408-217-1960  
 Email: sales@leopardimaging.com  
 Website: www.leopardimaging.com

# Camera boards Dimensions



Leopard Imaging Inc.

910 Auburn Ct, Fremont, CA 94538, USA  
 Phone: +1-408-263-0988  
 Fax: +1-408-217-1960  
 Email: sales@leopardimaging.com  
 Website: www.leopardimaging.com

## Water Proof

- Metal Housing
- Water-proof M12 lens
- Sealed Gasket (White)
- Sealed O-ring (Red)

Note: The lens must be glued for water proof.



## Cable Connector

- Housing Connector- FAKRA Z Type
- Cable length: 3 meters  
Support single Coax Cable transmit up to 12 meters
- Cable Part#: FAK-SMZSMZ-0008
- FAKRA type connectors



Leopard Imaging Inc.

910 Auburn Ct, Fremont, CA 94538, USA  
Phone: +1-408-263-0988  
Fax: +1-408-217-1960  
Email: sales@leopardimaging.com  
Website: www.leopardimaging.com

## Ordering Information

**Part#: LI-IMX412- FPDLINKIII -xxxH**

Note:

xxxH - 067H: FOV H 67°



Leopard Imaging Inc.

910 Auburn Ct, Fremont, CA 94538, USA

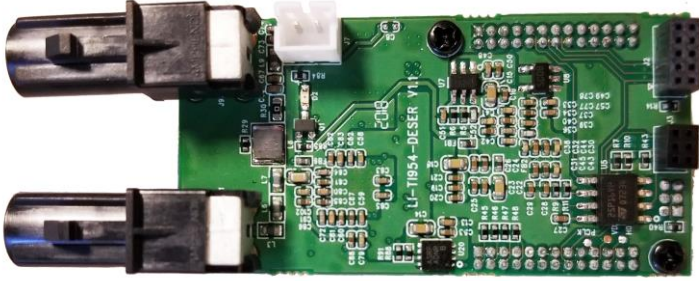
Phone: +1-408-263-0988

Fax: +1-408-217-1960

Email: [sales@leopardimaging.com](mailto:sales@leopardimaging.com)

Website: [www.leopardimaging.com](http://www.leopardimaging.com)

## LI-TI954-DESER



Front View

## LI-USB30-CNTL



Back View

LI-IMX412- FPDLINKIII can connect to USB 3.0 EVA module as a USB 3.0 camera.

Part#: **LI-USB30-IMX412-FPDLINKIII-xxxH**

## Key Features

- USB 3.0 Super Speed support
- RAW data output without compression
- UVC compliance
- Provide customization services
- 12VDC Power Supply
- Weight: 86 g
- Single Coax Cable transmit up to 12 meter PoC(Power over Cable)
- Support 2028x1520@7.4fps
- Power consumption: TBD
- Support Windows, Linux OS and other OS which include UVC drivers

## SDK Supported

- Camera Tool Source Code in C#
- Capture & Display
- Save file as BMP & RAW format
- Support register access function



## Revision History

Revision	Description	Release Date
1.0	First Release	08. Oct. 2019
1.1	Deleted lens model info.	10. Aug. 2023



Leopard Imaging Inc.

910 Auburn Ct, Fremont, CA 94538, USA  
Phone: +1-408-263-0988  
Fax: +1-408-217-1960  
Email: [sales@leopardimaging.com](mailto:sales@leopardimaging.com)  
Website: [www.leopardimaging.com](http://www.leopardimaging.com)