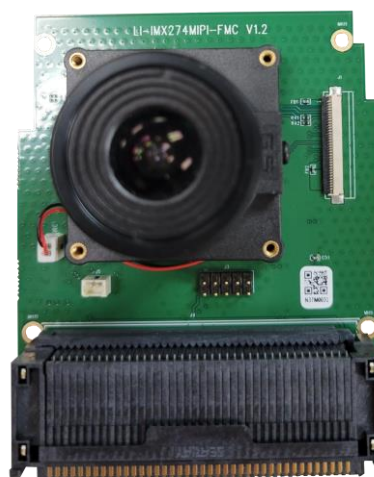




LI-IMX274MIPI-FMC Data Sheet

Key Features

- Sony CMOS Image Sensor IMX274 with Square Pixel
- Image size: Diagonal 7.20 mm (Type 1/2.5)
- Active pixels: 3864 (H) x 2196 (V)
- Pixel size: 1.62 x 1.62 μm
- Color sensor
- Interface: MIPI output
- 24MHz input clock
- Support Xilinx ZCU102 Evaluation Board
- Support IR cut switcher
- Support CS lens
- Camera FMC connector#: SEAM-40-01-L-10-2-RA-K-TR
- Module size: 83 (L) x 69 (W) mm
- Weight: ~ 100 g
- Part#: **LI-IMX274MIPI-FMC**

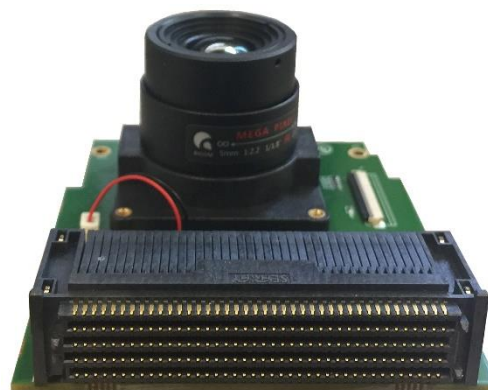


Lens Spec

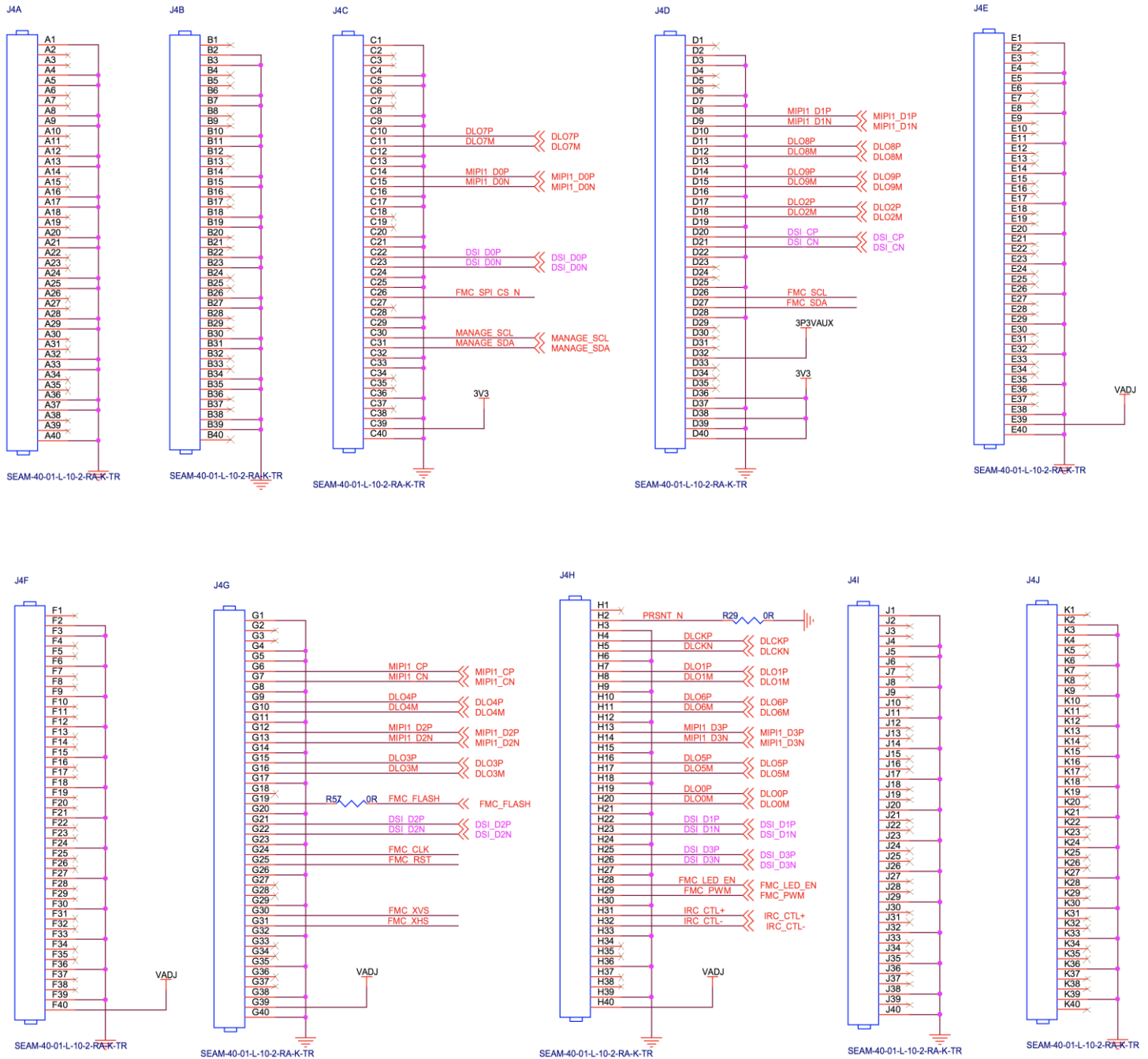
- Focal length: 5.0 mm
- Aperture, F/#: 2.2
- Built in 650 nm IR cut filter
- FOV (D/H/V): 87° / 76° / 43°
- TV Distortion: < -8%
- Mount Type: CS

BOM

#	Items	QTY
1	LI-IMX274MIPI-FMC	1
2	GS5-38-30S lens mount	1
3	GS5B-2230-CS IRC switcher	1
4	CS lens	1



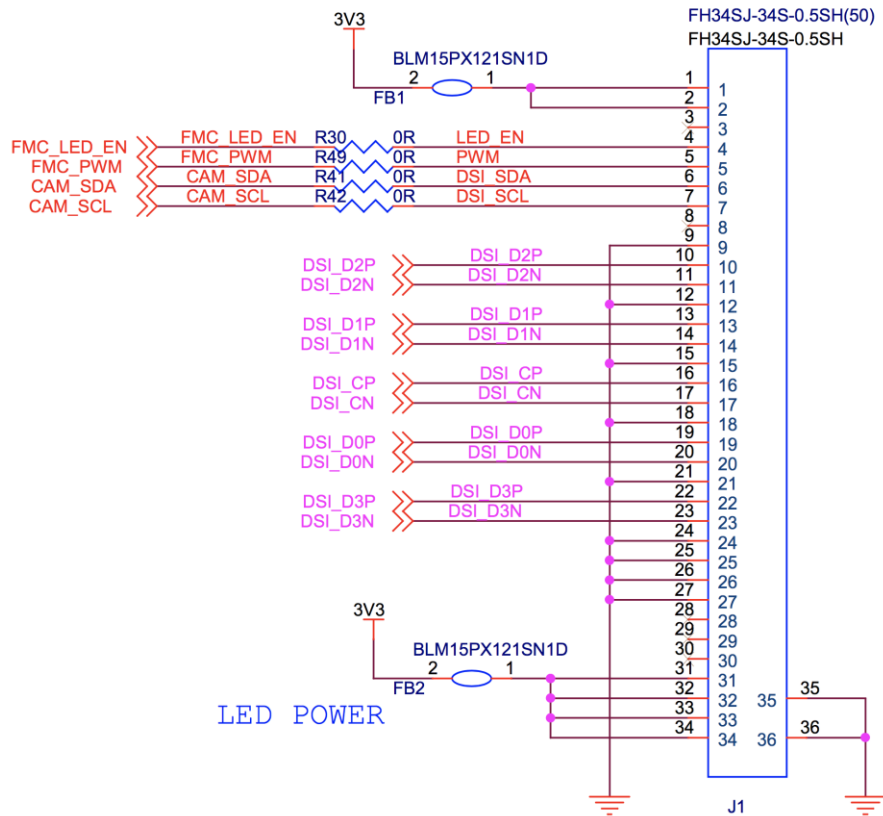
FMC Connector Pin Assignment



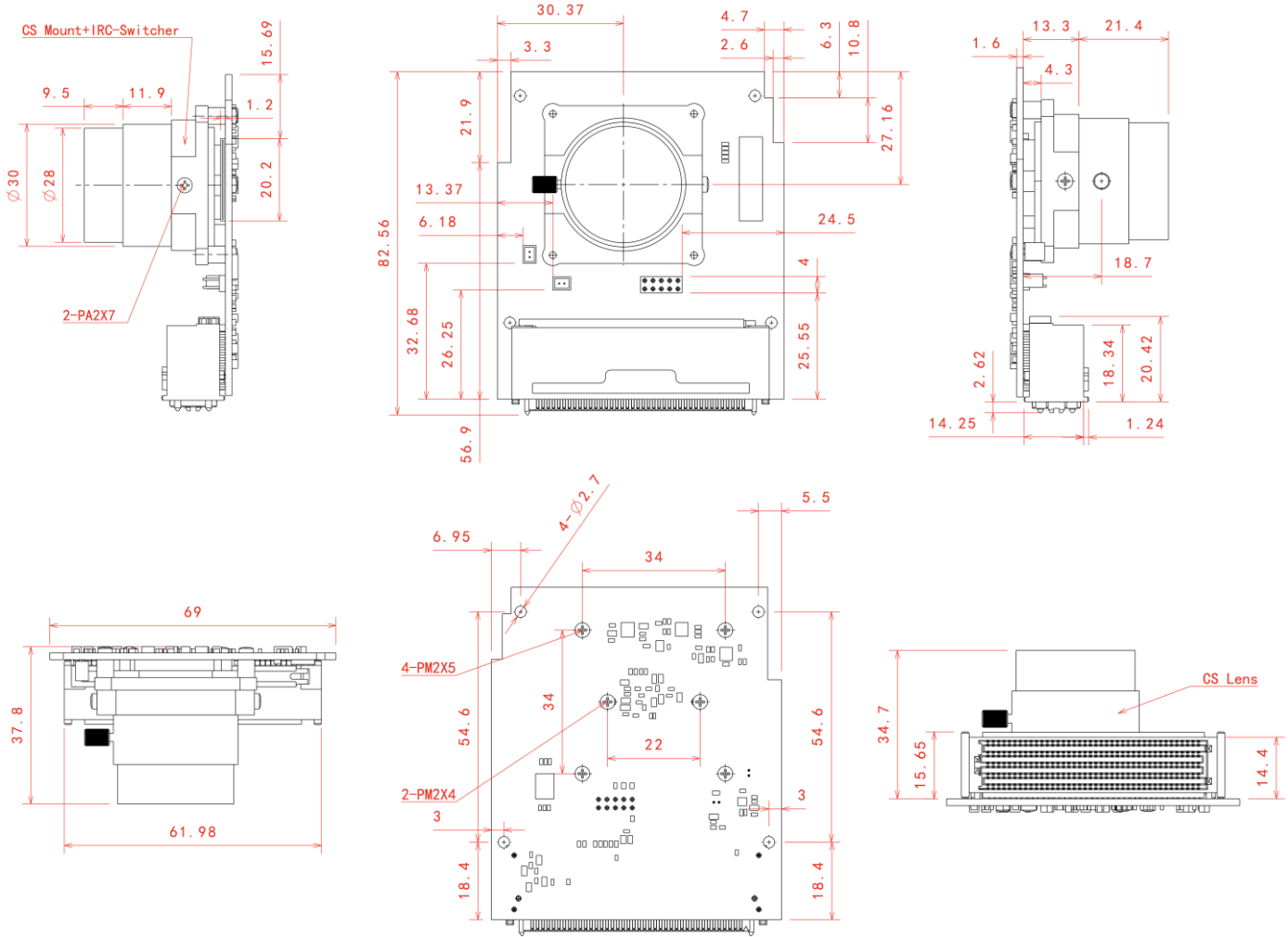
Leopard Imaging Inc.

910 Auburn Ct, Fremont, CA 94538, USA
 Phone: +1-408-263-0988
 Fax: +1-408-217-1960
 Email: sales@leopardimaging.com
 Website: www.leopardimaging.com

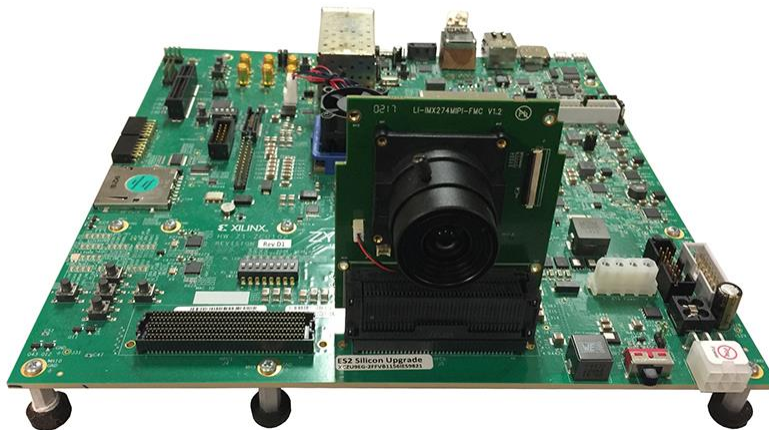
DSI Connector Pin Assignment



Dimensions



Support Xilinx ZCU102 Evaluation Board



Leopard Imaging Inc.

910 Auburn Ct, Fremont, CA 94538, USA
 Phone: +1-408-263-0988
 Fax: +1-408-217-1960
 Email: sales@leopardimaging.com
 Website: www.leopardimaging.com