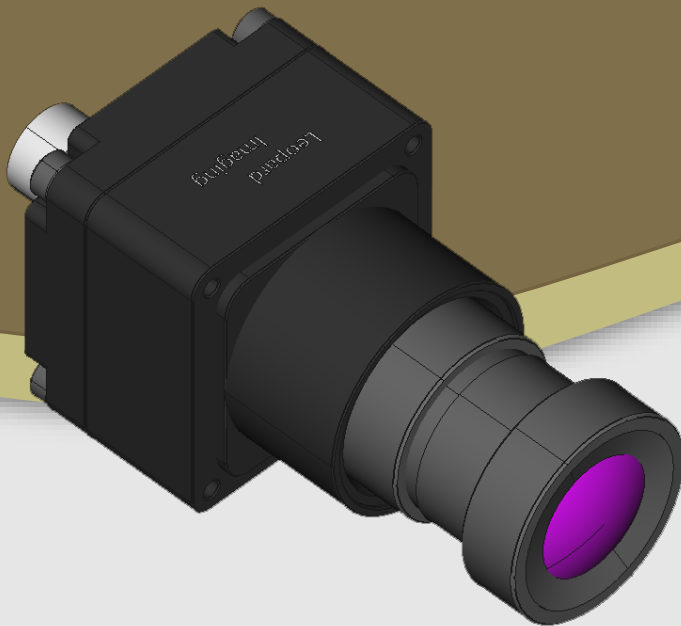




LEOPARD
IMAGING

LI-VENUS-OX08B40-96717-xxxH



Address:

910 Auburn Ct
Fremont, CA 94538
USA



Phone:

+1 (408)263-0988

Fax:

+1 (408)217-1960



Sales:

sales@leopardimaging.com

Support:

support@leopardimaging.com

INTRODUCTION

The LI-VENUS-OX08B40-96717-xxxH is equipped with OmniVision CMOS high-definition high dynamic range sensor OX08B40 which features PureCel®Plus-S technology to provide higher sensitivity and full-well capacity. This camera outputs 12-bit / 14-bit / 16-bit / 20-bit RAW data.

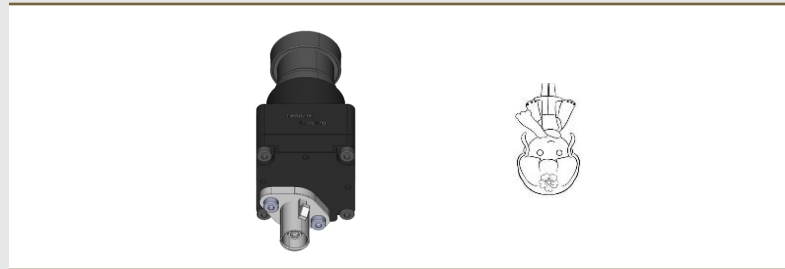
SPECIFICATIONS

Sensor	OmniVision CMOS HDR HD sensor OX08B40
Optical Format	1/1.73"
Resolution	3840 (H) x 2160 (V) (active pixels)
Pixel Size	2.1 x 2.1 μ m
Output Format	12-bit / 14-bit / 16-bit / 20-bit RAW
Color / Mono	Color sensor
Maximum Frame Rate	36 fps @ 4 K
HDR (High Dynamic Range)	Supported
LFM (LED Flicker Mitigation)	Supported
Serializer	Maxim MAX96717
Lens	FOV H 30° / 60° / 120°
Power Supply Range	TBD
Connector	FAKRA Z TYPE
IP Rating	TBD
Power Consumption	83 mA @ 12 VDC (3840 x 2160 @ 10 fps)
Operating Temp	-40°C ~ +85°C
Storage Temp	-40°C ~ +85°C
Weight	TBD
Part#	LI-VENUS-OX08B40-96717-xxxH

APPLICATIONS

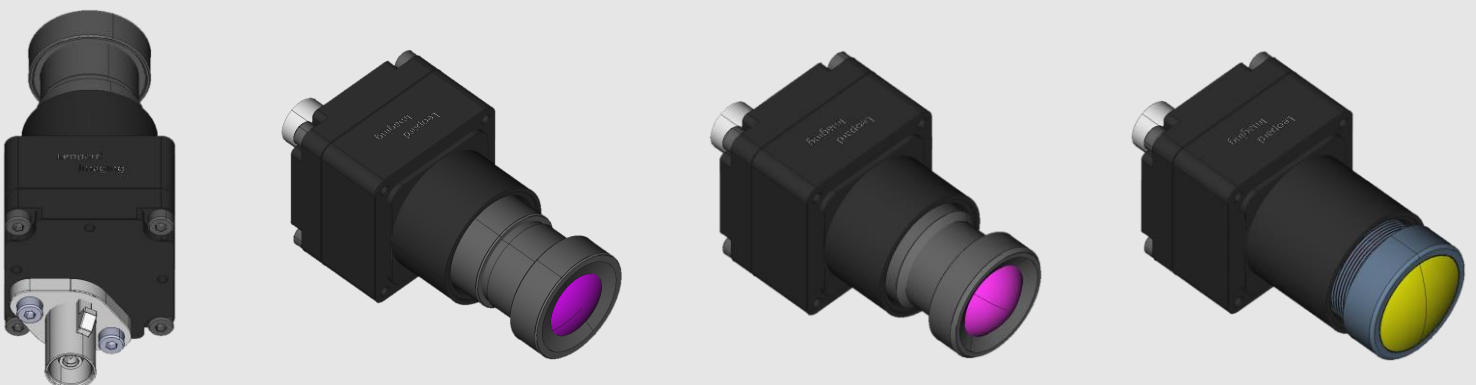
- Automotive
 - ◆ High Resolution Front Viewing
 - ◆ Machine Vision
 - ◆ Autonomous Driving
 - ◆ Assisted Driving
 - ◆ Digital Video Recording

IMAGE ORIENTATION

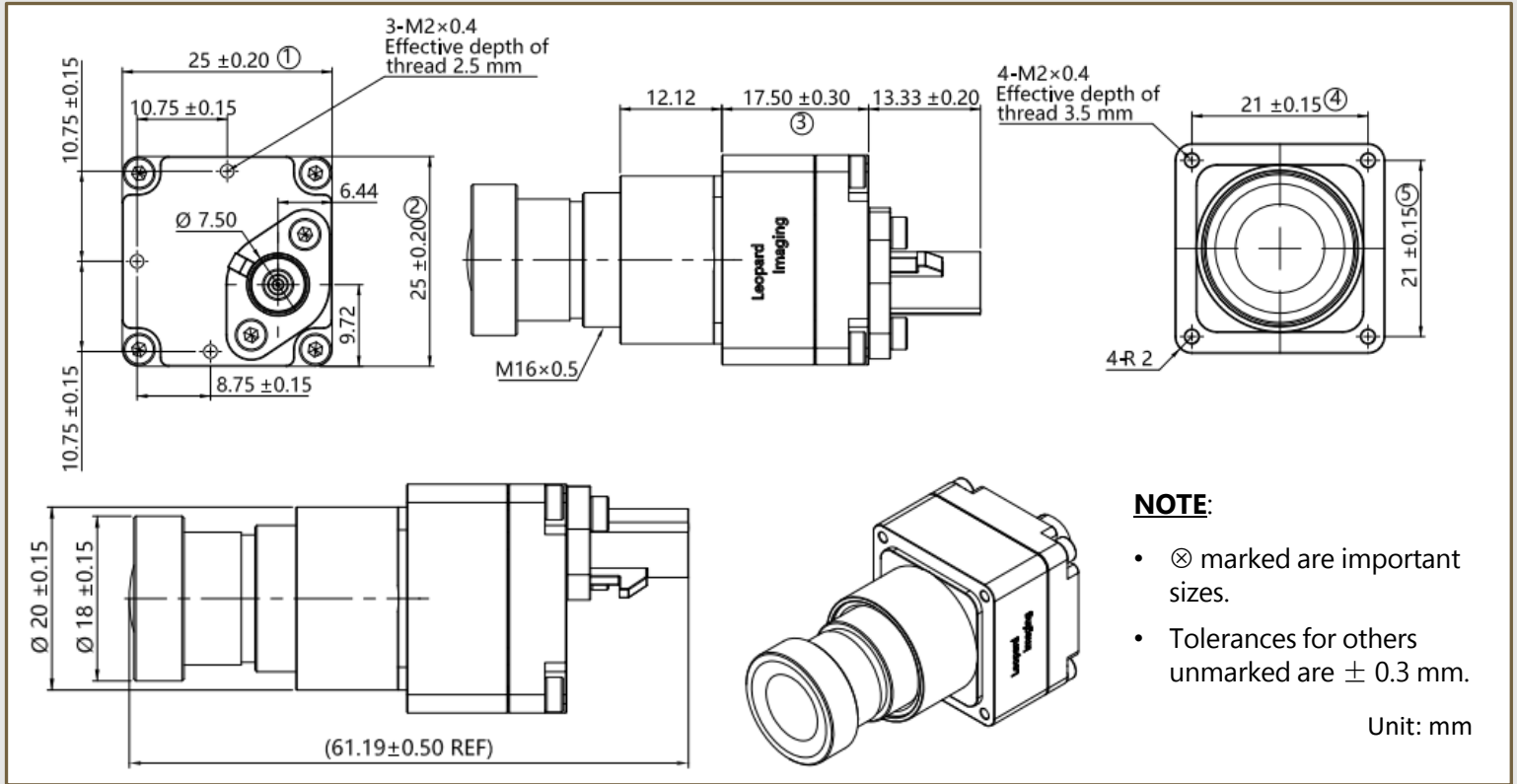


CABLE CONNECTOR

- Housing Connector
FAKRA Z Type
- Cable Length: 3 meters
- Cable Part#: FAK-SMZSMZ-3M



DIMENSIONS: LI-VENUS-OX08B40-96717-030H

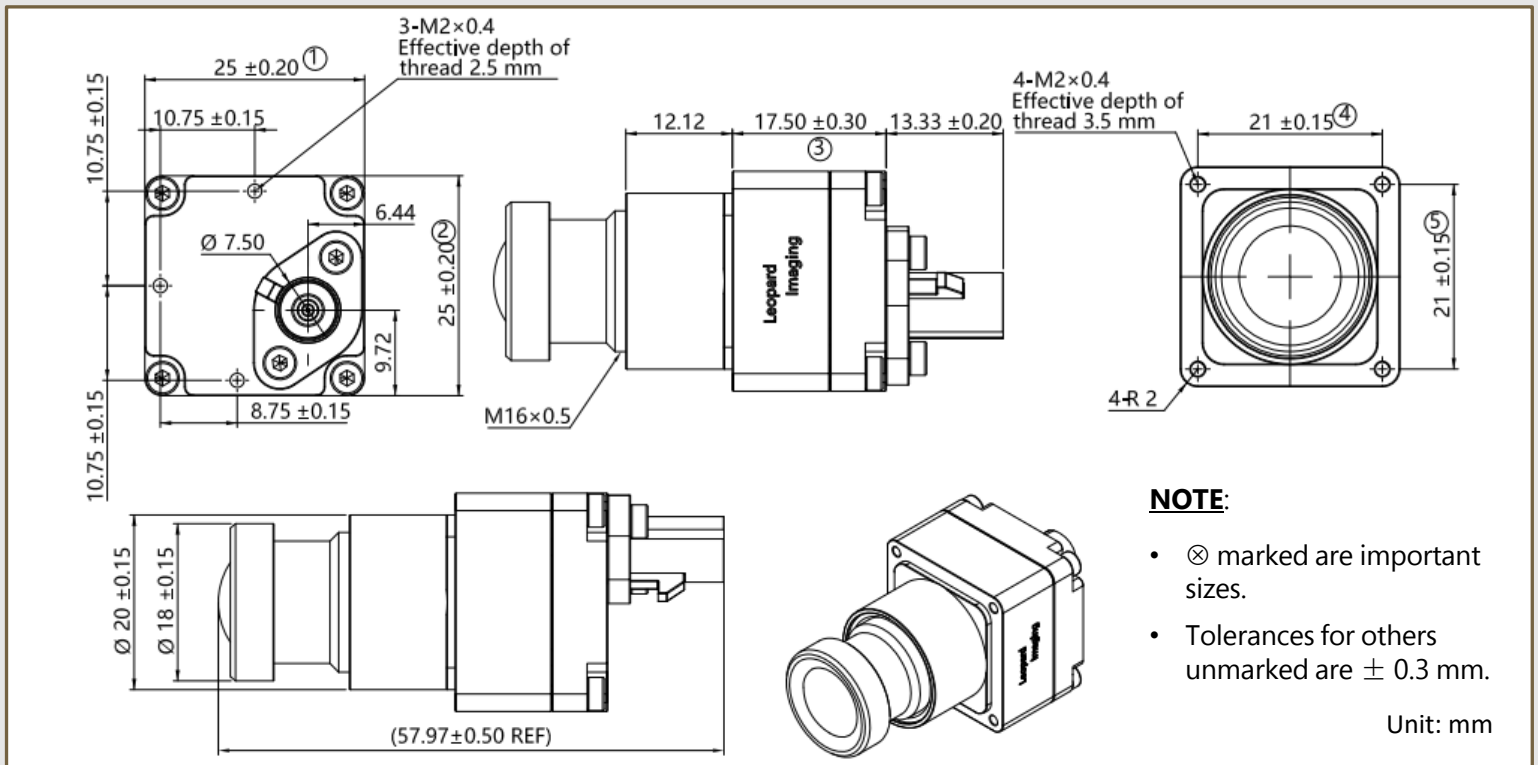


NOTE:

- \otimes marked are important sizes.
- Tolerances for others unmarked are ± 0.3 mm.

Unit: mm

DIMENSIONS: LI-VENUS-OX08B40-96717-060H

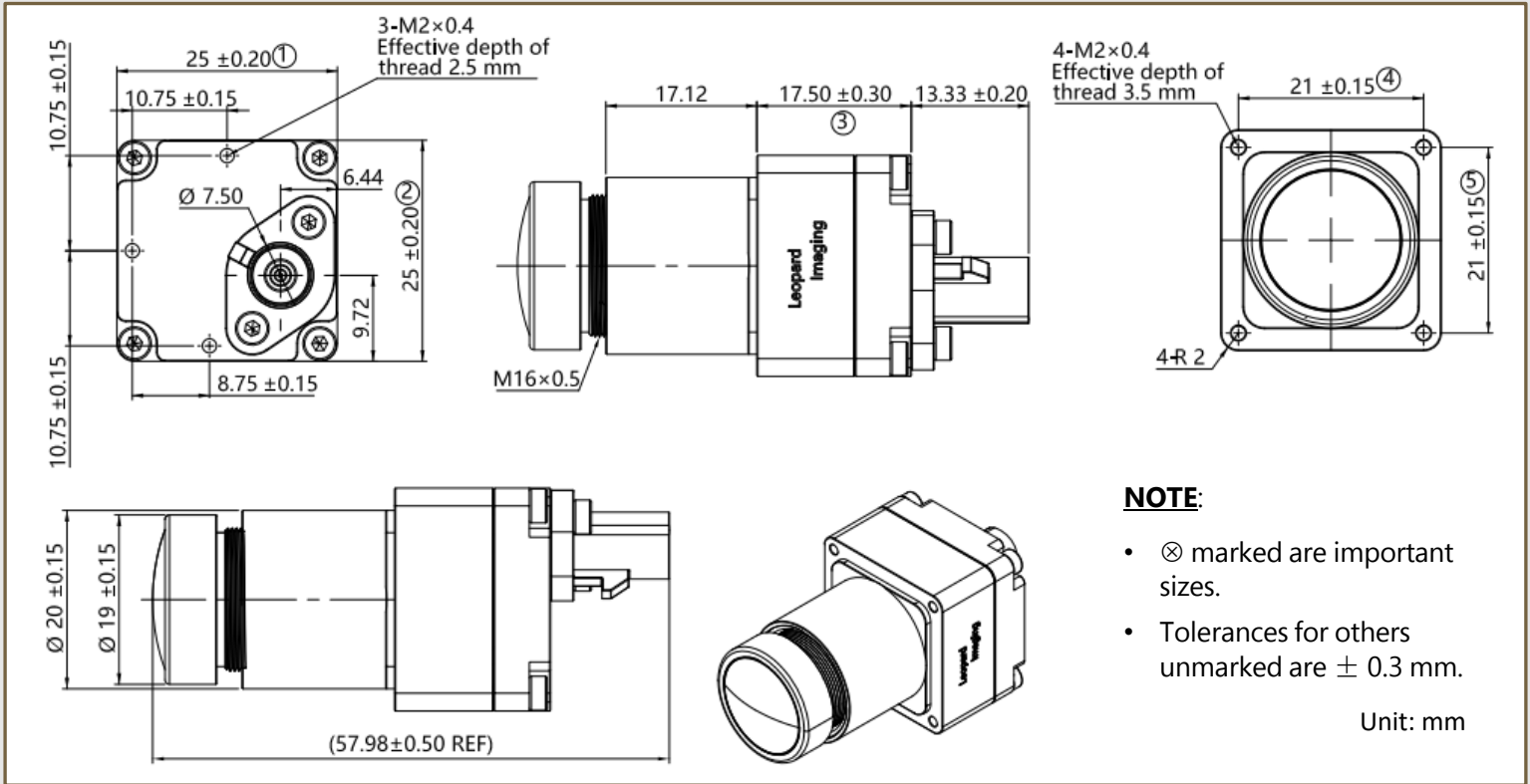


NOTE:

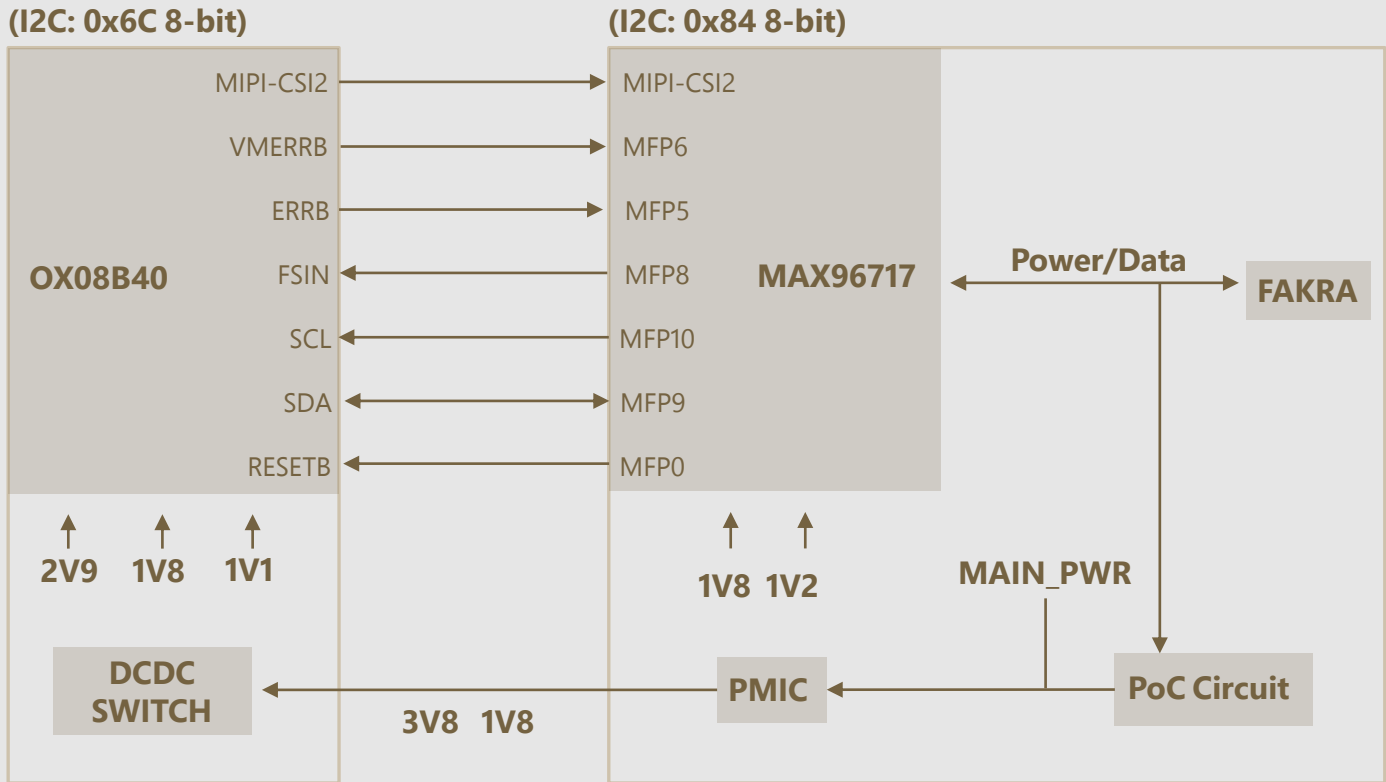
- \otimes marked are important sizes.
- Tolerances for others unmarked are ± 0.3 mm.

Unit: mm

DIMENSIONS: LI-VENUS-OX08B40-96717-120H




BLOCK DIAGRAM



ORDERING INFORMATION

NOTE:

xxxH refers to 030H (FOV H 30°), 060H (FOV H 60°) or 120H (FOV H 120°)

LI-VENUS-OX08B40-96717-030H

Lens EFL: 15.393 mm \pm 3.0%
Aperture, F/#: 1.60 \pm 5.0%
Field of View (FOV): 30.00° \pm 2.0° horizontal (\varnothing 8.064 mm)
TV Distortion: -2.87% \pm 5.0 % (f -tan θ)
Relative Illumination: 70.15% \pm 10.0%
IR Filter: 700 nm IR cut filter
Mount: M16 x P0.5

LI-VENUS-OX08B40-96717-060H	LI-VENUS-OX08B40-96717-120H
	
Lens EFL: 7.750 mm \pm 5%	Lens EFL: 3.69 mm \pm 5%
Aperture, F/#: 1.6 \pm 10%	Aperture, F/#: 1.6 \pm 5%
Field of View (FOV): 60.00° \pm 3° horizontal (\varnothing 8.064 mm)	Field of View (FOV): 123.2° \pm 3° horizontal (\varnothing 8.064 mm)
Optical Distortion: -12.66% \pm 5% (f-tan θ)	Distortion: -54.57% \pm 5% (f- θ) (DFOV)
Relative Illumination: \geq 60%	Relative Illumination: 58% (DFOV)
IR Filter: 700 nm IR cut filter	IR Filter: 700 nm IR cut filter
Mount: M16 x P0.5	Mount: M16 x P0.5

USB3.0 CAMERA KIT

LI-GMSL2-USB



Top View



Bottom View

LI-VENUS-OX08B40-96717-xxxH can connect to LI-GMSL2-USB as a USB 3.0 camera.

Part#: **LI-USB30-VENUS-OX08B40-96717-xxxH**

SPECIFICATIONS

- USB 3.0 Super Speed support
- UVC compliant
- Allows customization
- 12 VDC Power Supply for camera
- Weight: TBD
- Single Coax Cable transmits up to 12 meters PoC (Power over Cable)
- Resolution: 3840 x 2160 @ 10 fps
- Power consumption: 83 mA @ 12 VDC
- Compatible with Windows, Linux OS and other OS which have UVC drivers



BOM

#	Items	QTY
1	LI-VENUS-OX08B40-96717-xxxH	1
2	LI-GMSL2-USB	1
3	3-Meter Fakra Cable	1
4	12 VDC Power Supply	1
5	USB3.0 Cable	1

SDK SUPPORTED

- Camera Tool Source Code in C#
- Capture & Display
- Register Access Function

● REVISION HISTORY

Revision	Description	Release Date
0.1	Initial draft.	22 Jul 2022
0.2	Updated temp info.	21 Nov 2022
0.3	Updated image direction.	27 Dec 2023

910 Auburn Ct, Fremont, CA 94538, USA

Phone: +1-408-263-0988

Fax: +1-408-217-1960

Email: sales@leopardimagng.com

Website: www.leopardimaging.com

