



LEOPARD
IMAGING

LI-VENUS-OX03F10-GM2A-075H



Address:

910 Auburn Ct
Fremont, CA 94538
USA



Phone:

+1 (408)263-0988

Fax:

+1 (408)217-1960



Sales:

sales@leopardimaging.com

Support:

support@leopardimaging.com

INTRODUCTION

The LI-VENUS-OX03F10-GM2A-075H is equipped with OmniVision CMOS high-definition high dynamic range CMOS sensor OX03F10 and Maxim GMSL2 serializer MAX9295A/B. This camera outputs 12-bit / 14-bit / 16-bit / 20-bit RAW data.

SPECIFICATIONS

Sensor	OmniVision high-definition high dynamic range sensor OX03F10
Optical Format	1/2.44"
Resolution	1920 (H) x 1536 (V) (active pixels)
Pixel Size	3.0 x 3.0 μm
Output Format	12-bit / 14-bit / 16-bit / 20-bit RAW
Color / Mono	Color sensor
Maximum Frame Rate	60 fps @ 1920 x 1536
HDR (High Dynamic Range)	Supported
LFM (LED Flicker Mitigation)	Supported
Serializer	Maxim MAX9295A/B
IP Rating	IP67
Power Supply Range	8 ~ 17 VDC
Connector	FAKRA Z TYPE
Power Consumption	87 mA @ 12 VDC (1920 x 1542 @ 38 fps)
Operating Temp	-40°C ~ +85°C
Storage Temp	-40°C ~ +85°C
Weight	~ 39 g
Part#	LI-VENUS-OX03F10-GM2A-075H

APPLICATIONS

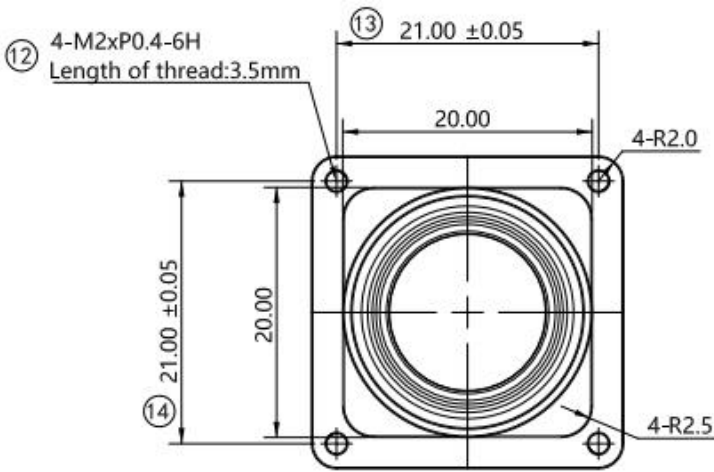
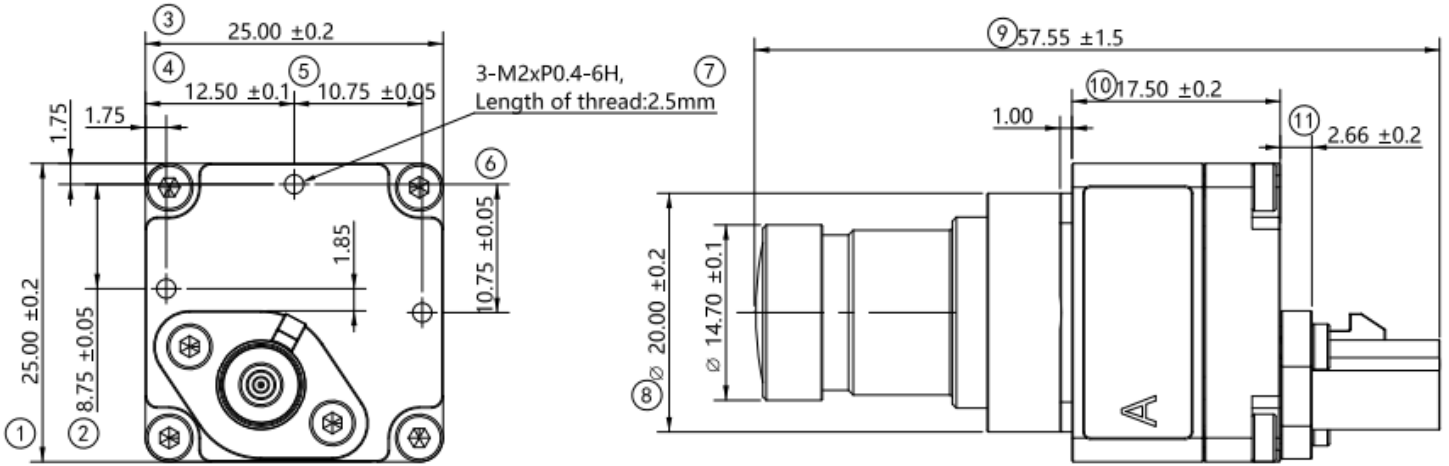
- Automotive
 - ◆ SVS
 - ◆ Rear View Camera
 - ◆ Autonomous Driving

LENS SPECIFICATIONS

Effective Focal Length	4.528 mm \pm 5%
Aperture, F/#	1.8 \pm 5%
Field of View (FOV)	99.3° \pm 4° diagonal
	75.4° \pm 3° horizontal
	59.5° \pm 3° vertical
Distortion	-30.85% \pm 5.0 %
Relative Illumination	93.34%
IR Filter	700 nm IR cut filter
Lens Mount	M16 x P0.5



DIMENSIONS



TOLERANCE TABLE					
LENGTH TOLERANCE		CHAMFER TOLERANCE		ANGLE TOLERANCE	
Size X	Tolerance	Size X	Tolerance	Size X	Tolerance
0.5 < X ≤ 3	±0.1	0.5 < X ≤ 3	±0.2	X ≤ 10	±1°
3 < X ≤ 6	±0.1	3 < X ≤ 6	±0.5	10 < X ≤ 50	±30'
6 < X ≤ 30	±0.2	6 < X ≤ 30	±1	50 < X ≤ 120	±20'
30 < X ≤ 120	±0.3	X > 30	±2	120 < X ≤ 400	±10'
120 < X ≤ 400	±0.5			X > 400	±5'
400 < X ≤ 1000	±0.8				
X > 1000	±1.2				

NOTE:

- ⊗ marked are important sizes.
- All materials are compliant with RoHS requirements.
- Tolerances for others unmarked refer to the Tolerance table.

Unit: mm

SYSTEM BLOCK DIAGRAM

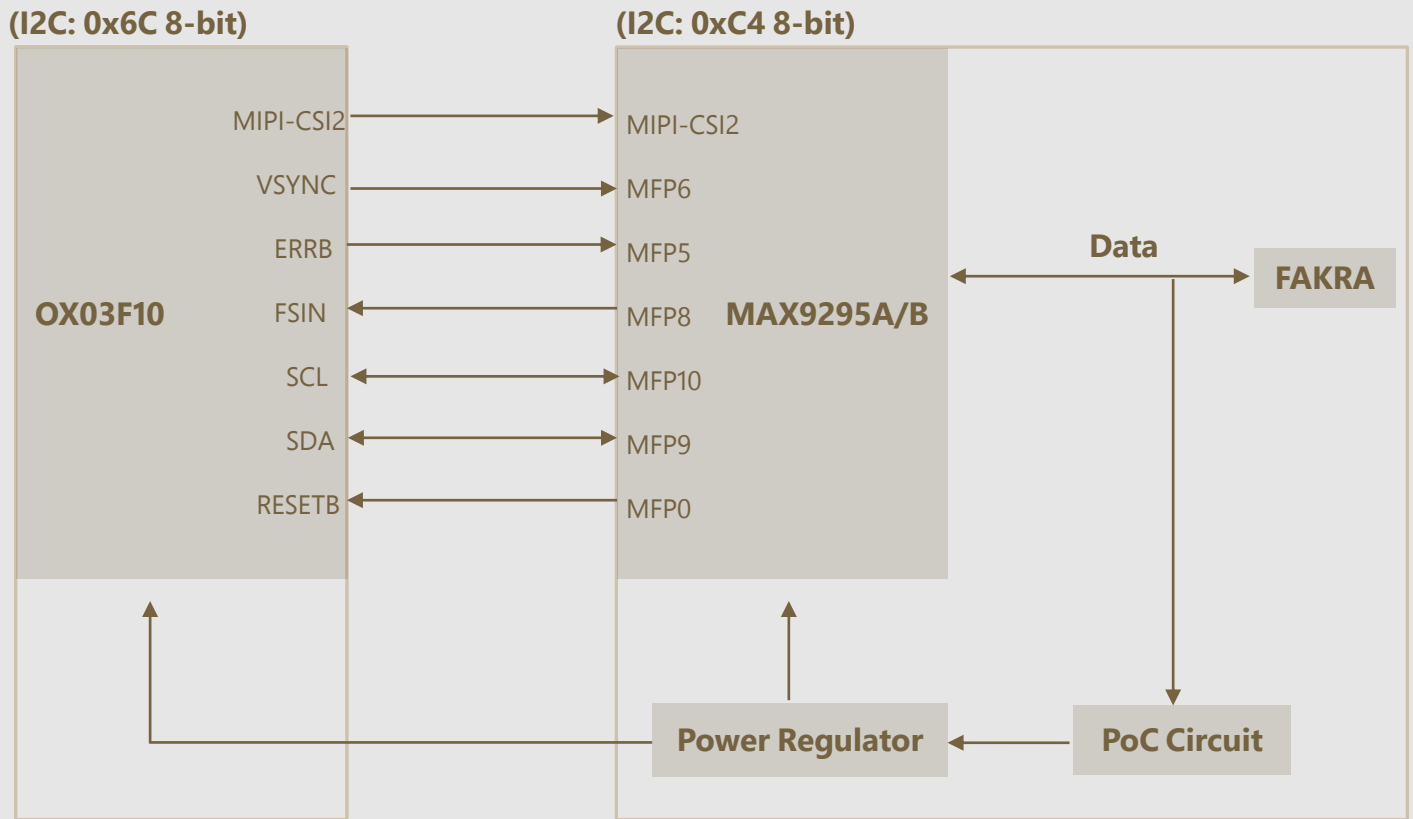
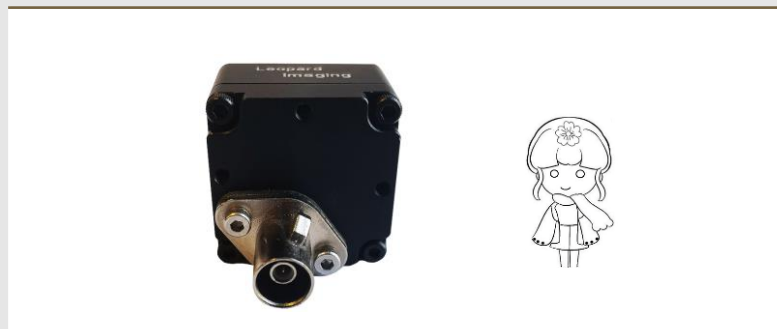
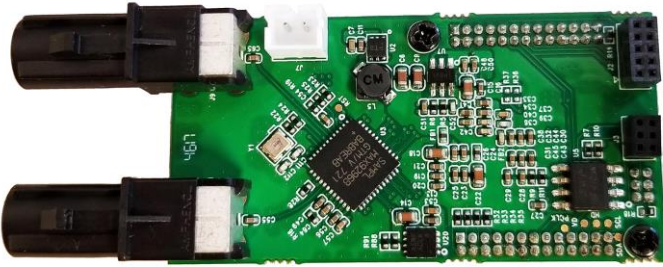


IMAGE ORIENTATION

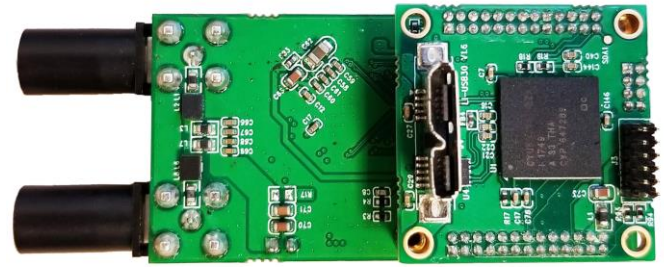


USB3.0 CAMERA KIT

LI-GMSL2-USB



Top View



Bottom View

LI-VENUS-OX03F10-GM2A-075H can connect to LI-GMSL2-USB as a USB 3.0 camera.

Part#: **LI-USB30-VENUS-OX03F10-GM2A-075H**

SPECIFICATIONS

- USB 3.0 Super Speed support
- UVC compliant
- Allows customization
- 12 VDC Power Supply for camera
- Weight: ~ 106 g
- Single Coax Cable transmits up to 12 meters PoC (Power over Cable)
- Resolution: 1920 x 1542 @ 38 fps
- Power consumption: 87 mA @ 12 VDC
- Compatible with Windows, Linux OS and other OS which have UVC drivers

BOM

#	Items	QTY
1	LI-VENUS-OX03F10-GM2A-075H	1
2	LI-GMSL2-USB	1
3	FAK-SMZSMZ-3M Cable	1
4	12 VDC Power Supply	1
5	USB3.0 Cable	1



SDK SUPPORTED

- Camera Tool Source Code in C#
- Capture & Display
- Register Access Function

● REVISION HISTORY

Revision	Description	Release Date
1.0	First release.	25 Apr 2023
1.1	1. Updated Part# from LI-VENUS-OX03F10-9295-075H to LI-VENUS-OX03F10-GM2A-075H. 2. Deleted power in the "System Block Diagram". 3. Update image direction.	11 Dec 2023
1.2	Updated 2D dimensions.	15 Dec 2023

910 Auburn Ct, Fremont, CA 94538, USA

Phone: +1 (408)263-0988

Fax: +1 (408)217-1960

Email: sales@leopardimaging.com

Website: www.leopardimaging.com

