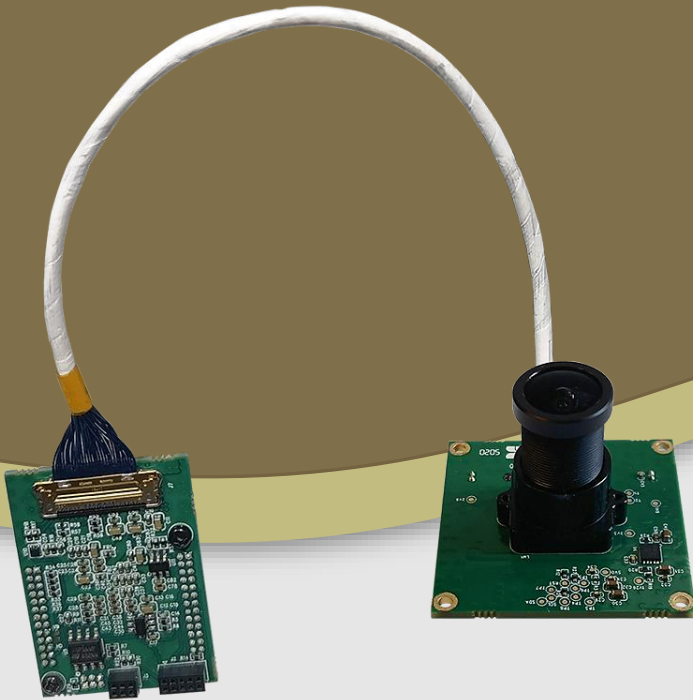




LEOPARD
IMAGING

LI-USB30-AR0234CSX



Address:

910 Auburn Ct
Fremont, CA 94538
USA



Phone:

+1 (408)263-0988

Fax:

+1 (408)217-1960



Sales:

sales@leopardimaging.com

Support:

support@leopardimaging.com

Key Features

- USB 3.0 Super Speed support
- RAW data output without compression
- UVC compliant
- Color or Mono camera
- Supports M12 lens
- Allows customization
- USB +5 VDC powered device
- Part#:
 - LI-USB30-AR0234CSC**
 - LI-USB30-AR0234CSM**

Default Lens Specifications

| | |
|------------------------|----------------------|
| Effective Focal Length | 4.52 mm \pm 5% |
| Aperture, F/# | 2.0 \pm 5% |
| Field of View (FOV) | 73° horizontal |
| TV Distortion | -10.70% |
| Relative Illumination | 62.0% |
| IR Filter | 650 nm IR cut filter |
| Lens Mount | M12 x P0.5 |

Applications

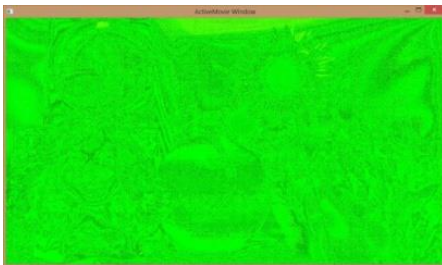
- Machine Vision
- Medical Camera
- Scientific Camera

SDK Supported

- Camera Tool Source Code in C#
- Capture & Display
- RAW to RGB Conversion
- Save file as BMP & RAW format
- Color Matrix
- Register access function

BOM

| # | Items | QTY |
|---|-----------------------|-----|
| 1 | LI-AR0234CSX-MIPI-M12 | 1 |
| 2 | LI-USB30 Main Board | 1 |
| 3 | LI-CSLINK-IPX-TESTER | 1 |
| 4 | FAW-1233-02 (200 mm) | 1 |



RAW Data Streaming

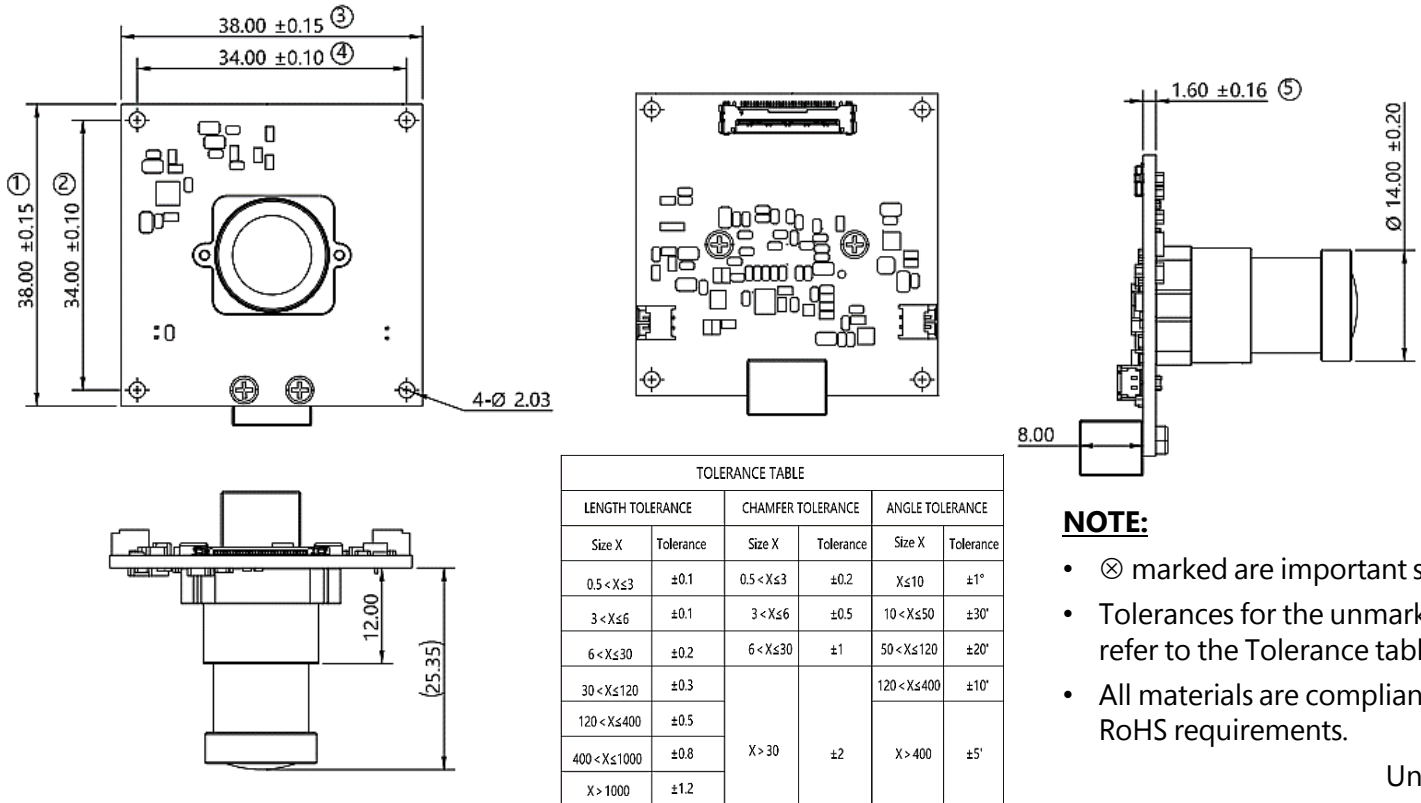


Camera Tool View Mode

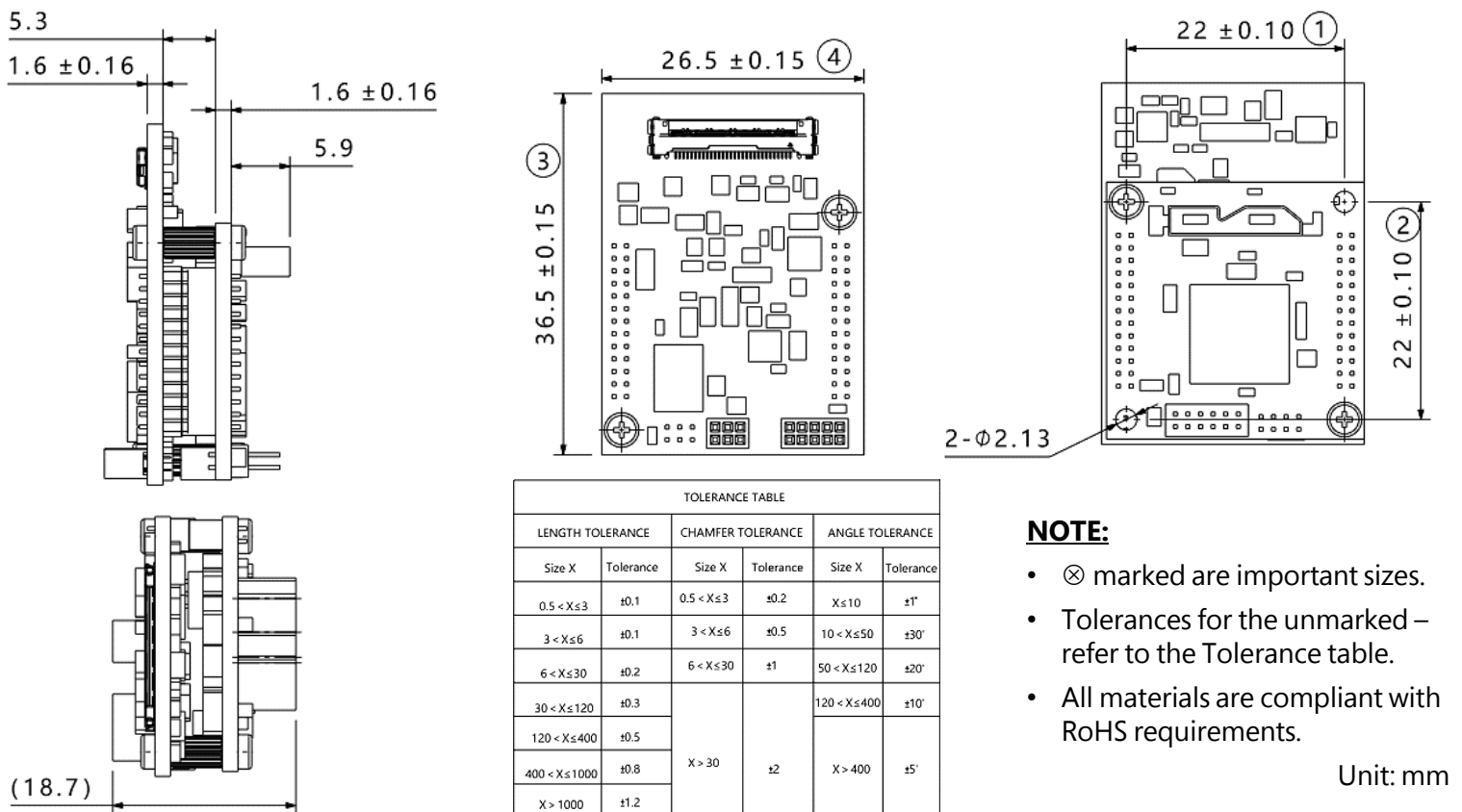
SEPCIFICATIONS

| General Behavior | |
|--|--|
| Video Resolution @ Frame rate | 1920 x 1080 @ 40 fps |
| Bit Depth | 12-bit |
| Interface (Optical) | |
| IR Cut Filter (on lens) | 650 nm IR cut filter |
| Sensor | ON Semiconductor CMOS 1/2.6" Image Sensor AR0234CS |
| Shutter | Global |
| Color / Mono | Color or Mono |
| Format | 1/2.6" |
| Total Number of Pixels | 1920 (H) x 1200 (V) (Current firmware supports 1920 x 1080) |
| Pixel Size | 3.0 x 3.0 μm |
| Lens Mount | M12 |
| Interface (Electrical) | |
| Interface | USB 3.0 |
| Supply Voltage | USB 3.0 +5 VDC power source |
| Power Consumption | 170 mA @ 5 VDC (1920 x 1080 @ 40 fps) |
| Weight | |
| LI-AR0234CSX-MIPI-M12 + LI-USB30 Main board + LI-CSLINK-IPX-TESTER | ~ 28 g (Without FAW-1233-xx cable) |
| Adjustment (Manual) | |
| Shutter | TBD |
| Gain | TBD |
| Register Access | Yes |
| Adjustment (Auto) | |
| Shutter | TBD |
| Supported OS | |
| Windows OS, Standard Linux OS and other OS with full UVC drivers | |

DIMENSIONS: LI-AR0234CSX-MIPI-M12

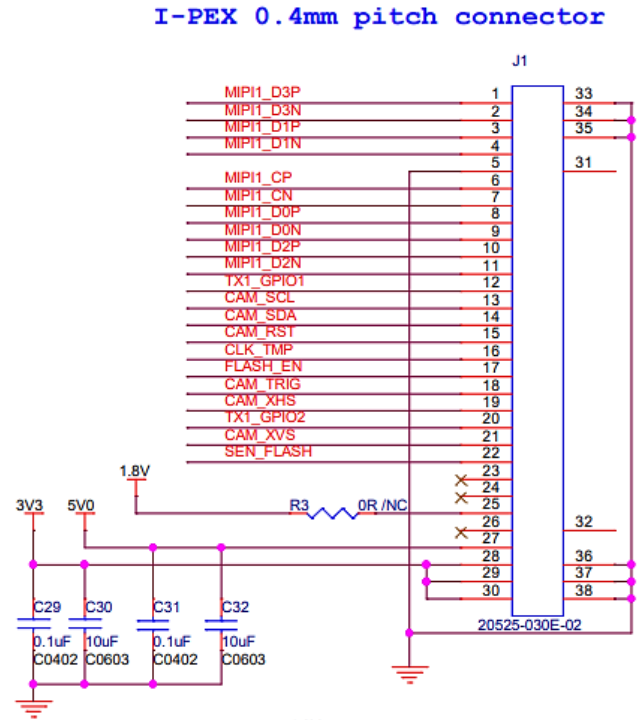


DIMENSIONS: LI-USB30 Main Board + LI-CSLINK-IPX-TESTER



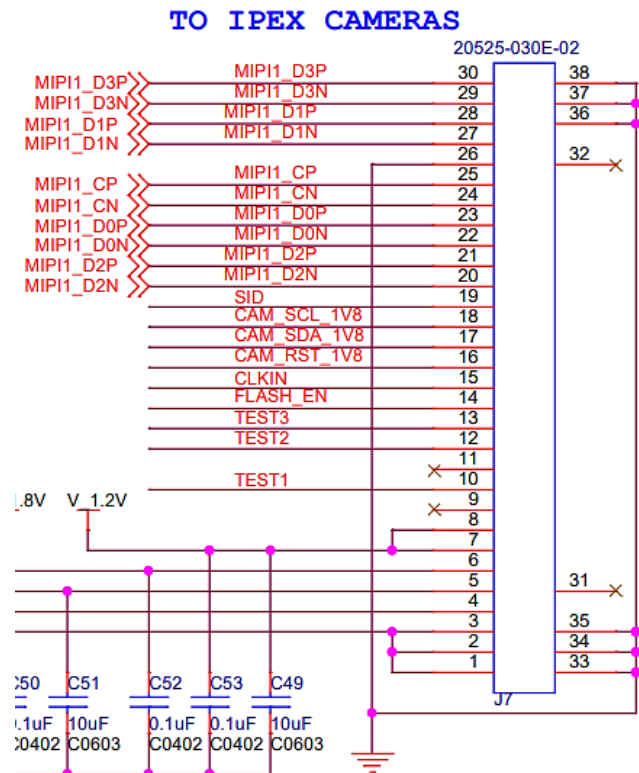
LI-AR0234CSX-MIPI INTERFACE (MIPI Connector)

- Connector Part#: 20525-030E-02
- Number of Positions: 30
- Pitch: 0.4 mm
- Mating I-PEX Cable: FAW-1233
- Sensor I2C Address: 0x10 (7-bit)
- External Power Supply: 3.3V, 5.0V
- 2V8, 1V8, 1V2 are generated from board.



LI-CSLINK-IPX-TESTER INTERFACE (To Cam)

- Part#: 20525-030E-02
- Number of Positions: 30
- Pitch: 0.4 mm
- Mating I-PEX Cable: FAW-1233-xx



● REVISION HISTORY

| Revision | Description | Release Date |
|----------|---|--------------|
| 1.0 | First release. | 11 Jun 2020 |
| 1.1 | Deleted lens model info. | 11 Aug 2023 |
| 1.2 | 1. Updated lens info and the pic on the first page. 2. Changed old format to current format. 3. Added 2D for LI-AR0234CSX-MIPI-M12, LI-USB30 Main Board and LI-CSLINK-IPX-TESTER. | 21 Dec 2023 |

910 Auburn Ct, Fremont, CA 94538, USA

Phone: +1-408-263-0988

Fax: +1-408-217-1960

Email: sales@leopardimaging.com

Website: www.leopardimaging.com

