



LEOPARD
IMAGING

LI-S5K2G1-FP4-xxxH



Address:

910 Auburn Ct
Fremont, CA 94538
USA



Phone:

+1 (408)263-0988

Fax:

+1 (408)217-1960



Sales:

sales@leopardimaging.com

Support:

support@leopardimaging.com

INTRODUCTION

The LI-S5K2G1-FP4-xxxH is equipped with SamSung Automotive 7.4 MP CMOS RCCB image sensor S5K2G1 and FPD-Link IV serializer TI971. This camera outputs RAW data.

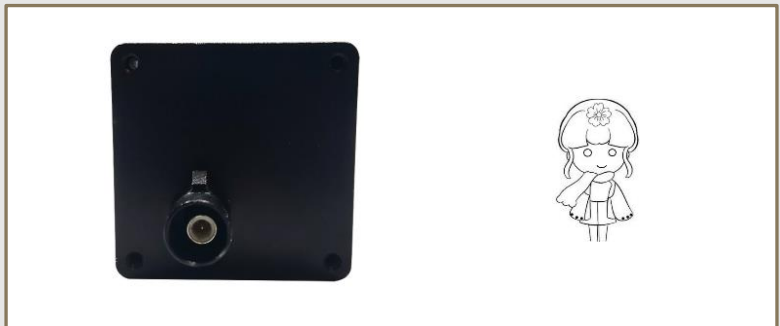
SPECIFICATIONS

Sensor	SamSung 7.4 MP CMOS RCCB Sensor S5K2G1
Optical Format	1/1.7"
Active Pixels	3840 (H) x 1920 (V)
Pixel Size	2.1 x 2.1 μ m
Sensor	Color sensor
Output Format	12-bit / 14-bit / 16-bit / 20-bit RAW data
Maximum Frame Rate	40 fps @ 3856 x 1928
HDR (High Dynamic Range)	Supported
Lens	FOV H 60° / 120°
Serializer	TI971 FPD-Link IV (DS90UB971-Q1)
Power Supply Range	9 ~ 19 VDC
Connector	FAKRA Z TYPE
IP Rating	060H: TBD 120H: IP69K
Power Consumption	119 mA @ 12 VDC (3840 x 1920 @ 16 fps)
Operating Temp	TBD
Storage Temp	TBD
Weight	~ 45 g
Part#	LI-S5K2G1-FP4-xxxH

APPLICATIONS

- High Performance ADAS
- Autonomous Driving

IMAGING ORIENTATION



CABLE CONNECTOR

- Housing Connector: FAKRA Z Type
- Cable Length: 3 meters
- Cable Part#: FAK-SMZSMZ-3M

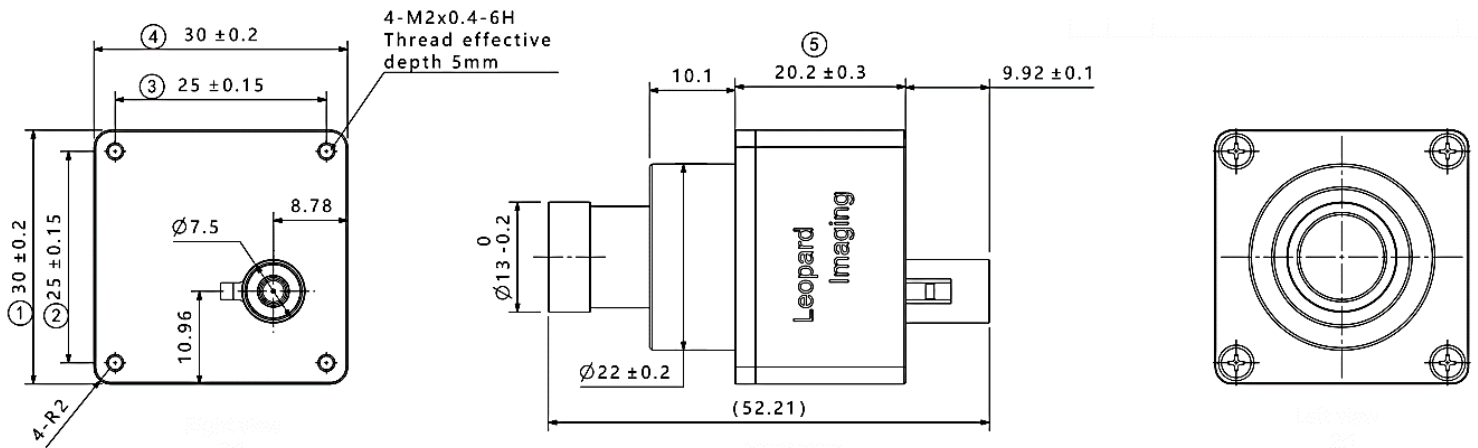


LI-S5K2G1-FP4-060H



LI-S5K2G1-FP4-120H

DIMENSIONS: LI-S5K2G1-FP4-060H

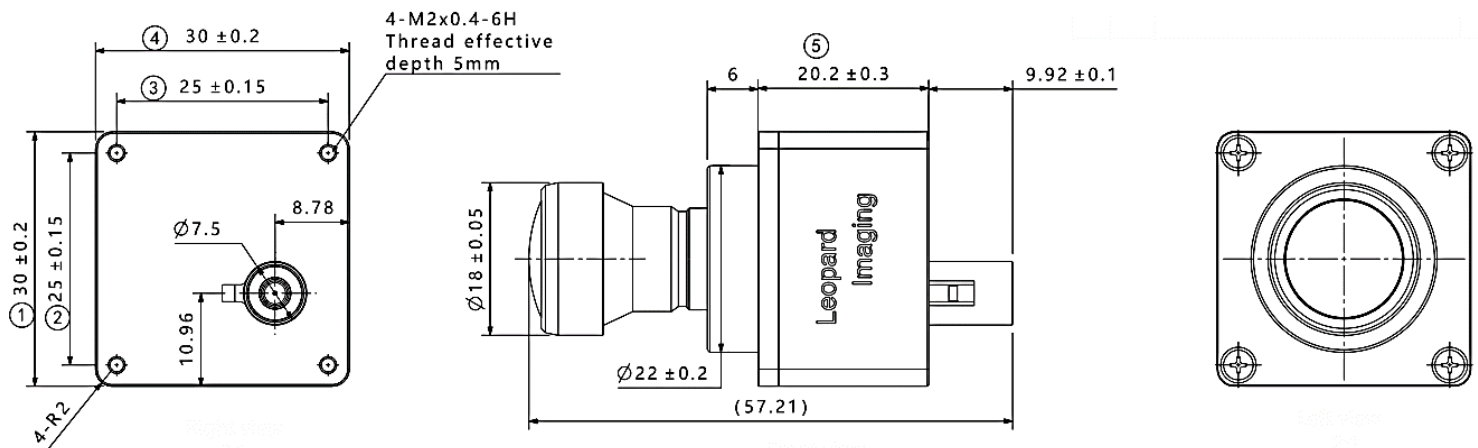


TOLERANCE TABLE					
LENGTH TOLERANCE		CHAMFER TOLERANCE		ANGLE TOLERANCE	
Size X	Tolerance	Size X	Tolerance	Size X	Tolerance
0.5 < X ≤ 3	±0.1	0.5 < X ≤ 3	±0.2	X ≤ 10	±1°
3 < X ≤ 6	±0.1	3 < X ≤ 6	±0.5	10 < X ≤ 50	±30'
6 < X ≤ 30	±0.2	6 < X ≤ 30	±1	50 < X ≤ 120	±20'
30 < X ≤ 120	±0.3	X > 30	±2	120 < X ≤ 400	±10'
120 < X ≤ 400	±0.5			X > 400	±5°
400 < X ≤ 1000	±0.8				
X > 1000	±1.2				

NOTE:

- ⊗ marked are important sizes.
- Tolerances for others unmarked are ± 0.3 mm.
- All materials are compliant with RoHS requirements.
- Unit: mm

DIMENSIONS: LI-S5K2G1-FP4-120H



TOLERANCE TABLE					
LENGTH TOLERANCE		CHAMFER TOLERANCE		ANGLE TOLERANCE	
Size X	Tolerance	Size X	Tolerance	Size X	Tolerance
0.5 < X ≤ 3	±0.1	0.5 < X ≤ 3	±0.2	X ≤ 10	±1°
3 < X ≤ 6	±0.1	3 < X ≤ 6	±0.5	10 < X ≤ 50	±30'
6 < X ≤ 30	±0.2	6 < X ≤ 30	±1	50 < X ≤ 120	±20'
30 < X ≤ 120	±0.3	X > 30	±2	120 < X ≤ 400	±10'
120 < X ≤ 400	±0.5			X > 400	±5°
400 < X ≤ 1000	±0.8				
X > 1000	±1.2				

NOTE:

- ⊗ marked are important sizes.
- Tolerances for others unmarked are ± 0.3 mm.
- All materials are compliant with RoHS requirements.
- Unit: mm

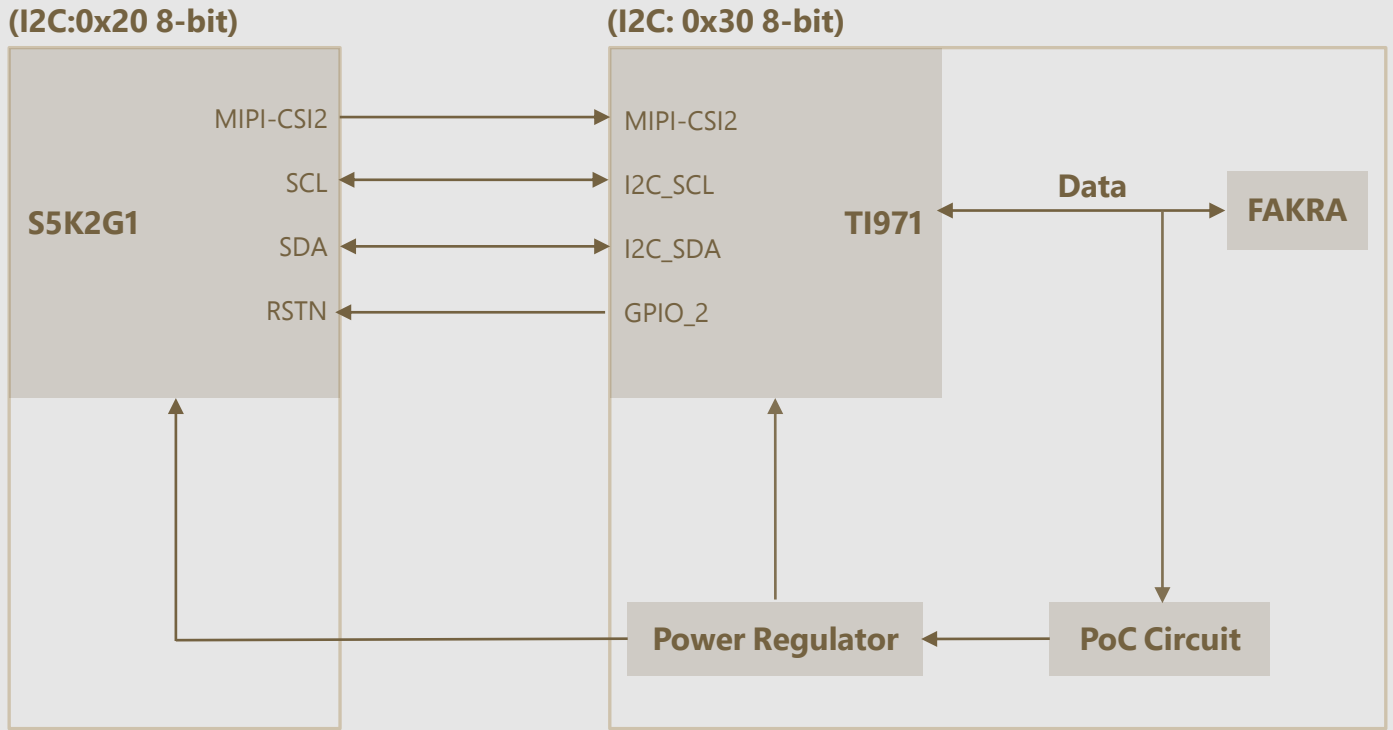
ORDERING INFORMATION

NOTE:

xxxH refers to 060H (FOV H 60°) and 120H (FOV H 120°)

LI-S5K2G1-FP4-060H	LI-S5K2G1-FP4-120H
	
Lens EFL: 7.87 mm \pm 0.2	Lens EFL: 3.9 mm \pm 2%
Aperture, F/#: 1.8 \pm 0.1	Aperture, F/#: 1.6 \pm 5%
Field of View (FOV): 60° horizontal	Field of View (FOV): 120° horizontal
IR Filter: 650 nm IR cut filter	IR Filter: 650 nm IR cut filter
Mount: M12	Mount: M12

SYSTEM BLOCK DIAGRAM



USB3.0 CAMERA KIT

LI-FPDLINKIV-USB



Top View



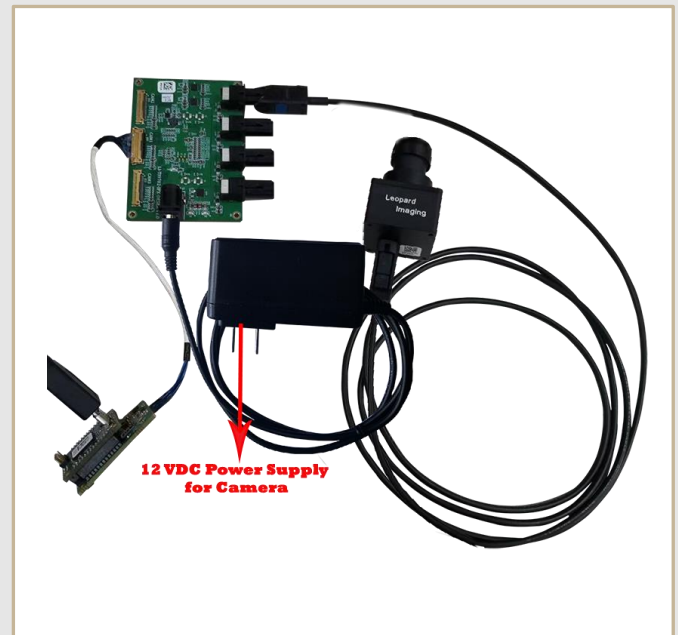
Bottom View

LI-S5K2G1-FP4-xxxH can connect to LI-FPDLINKIV-USB as a USB 3.0 camera.

Part#: **LI-USB30-S5K2G1-FP4-xxxH**

SPECIFICATIONS

- USB 3.0 Super Speed support
- UVC compliant
- Allows customization
- 12 VDC Power Supply for camera
- Weight: ~146 g (without power and USB30 cable)
- Single Coax Cable transmits up to 12 meters PoC (Power over Cable)
- Resolution: 3840 x 1920 @ 16 fps
- Power consumption: 119 mA @ 12 VDC
- Compatible with Windows, Linux OS and other OS which have UVC drivers



BOM

#	Items	QTY
1	LI-S5K2G1-FP4-xxxH	1
2	LI-FPDLINKIV-USB	1
3	3-Meter Fakra Cable	1
4	12 VDC Power Supply	1
5	USB3.0 Cable	1

SDK SUPPORTED

- Camera Tool Source Code in C#
- Capture & Display
- Register Access Function

REVISION HISTORY

Revision	Description	Release Date
0.1	Initial draft.	14. DEC. 2023

910 Auburn Ct, Fremont, CA 94538, USA

Phone: +1-408-263-0988

Fax: +1-408-217-1960

Email: sales@leopardimaging.com

Website: www.leopardimaging.com

