



LEOPARD
IMAGING

LI-OV2778-GW5400-GMSL2-xxxH

Data Sheet

Key Features

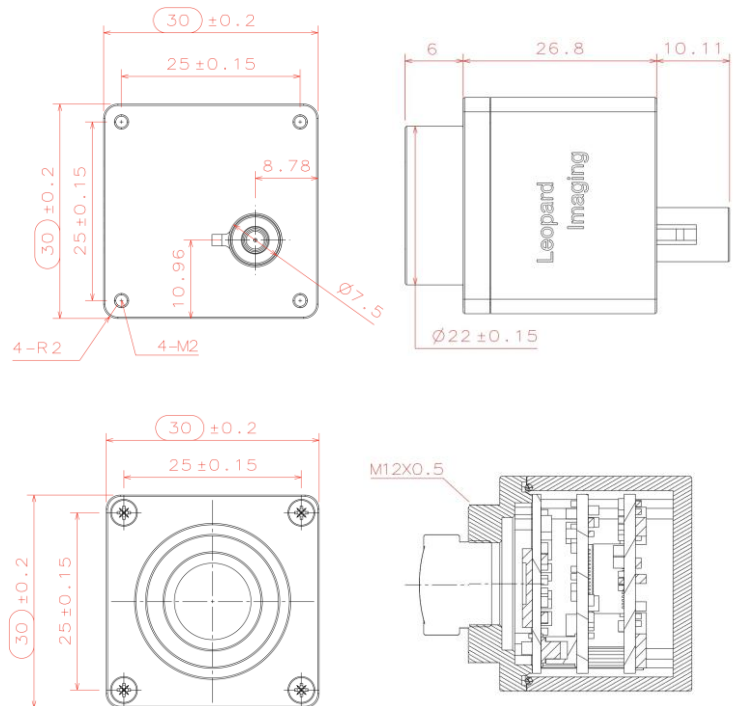
- OmniVision 2MP RGB-IR CMOS Image Sensor OV2778
- Optical format: 1/2.9"
- Resolution: 1920 (H) x 1080 (V)
- Pixel size: 2.8 x 2.8 μm
- YUV output without compression
- Includes GEO Semi GW5400 ISP
- Support HDR
- Lens: FOV H 126°
- Built-in 650nm + 940nm Dual band filter
- GMSL2 Serializer
- Connector: FAKRA Z TYPE
- Water proof: IPX9K
- Operation Temp: -30°C ~ +85°C
- Storage Temp: -40°C ~ +105°C
- Weight: ~ 50 g
- Part#:
LI-OV2778-GW5400-GMSL2-xxxH



Application

- Interior and in-cabin applications
 - Occupant monitoring
 - Rear occupant/child detection
 - Parcel detection

Dimensions



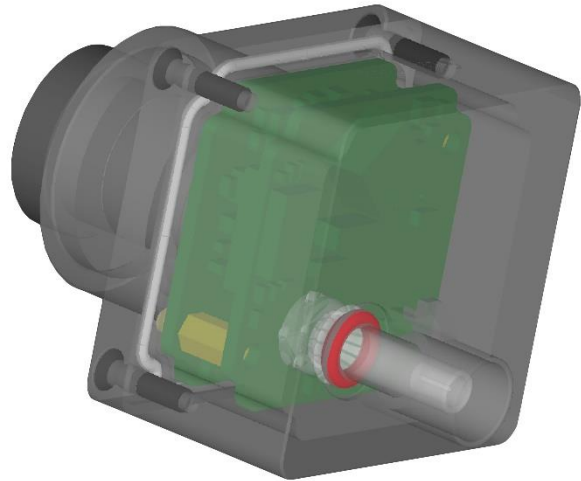
Leopard Imaging Inc.

910 Auburn Ct, Fremont, CA 94538 USA
 Phone: +1-408-263-0988
 Fax: +1-408-217-1960
 Email: sales@leopardimaging.com
 Website: www.leopardimaging.com

Water Proof

- Metal Housing
- Water-proof M12 lens
- Sealed Gasket (White)
- Sealed O-ring (Red)

Note: The lens must be glued for water proof.



Cable Connector

- Housing Connector- FAKRA Z Type
- Cable length: 3 meters
Support single Coax Cable transmit up to 12 meters
- Cable Part#: FAK-SMZSMZ-3M
- FAKRA type connectors



Leopard Imaging Inc.

910 Auburn Ct, Fremont, CA 94538 USA
Phone: +1-408-263-0988
Fax: +1-408-217-1960
Email: sales@leopardimaging.com
Website: www.leopardimaging.com

Ordering Information

Part#: LI-OV2778-GW5400-GMSL2-xxxH

Note:

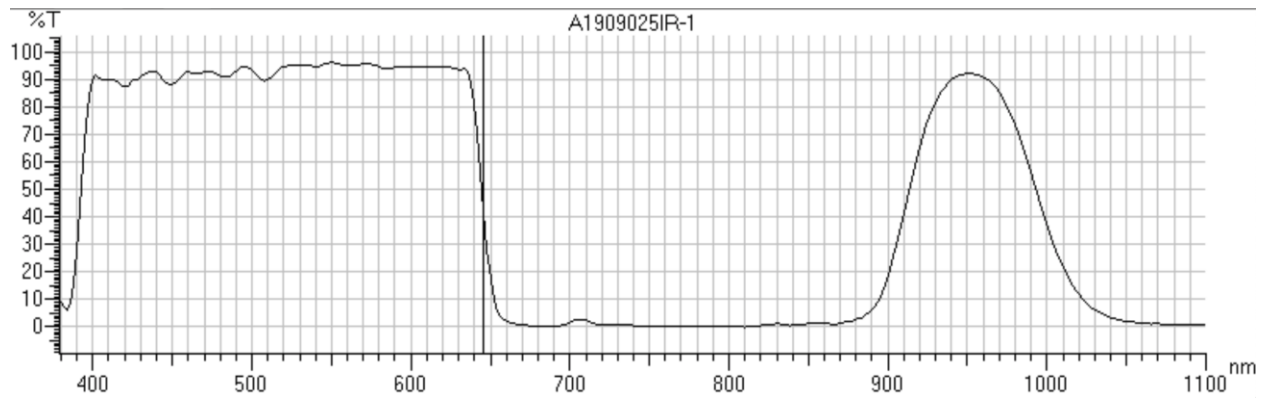
xxxH - 126H: FOV H 126°



Leopard Imaging Inc.

910 Auburn Ct, Fremont, CA 94538 USA
Phone: +1-408-263-0988
Fax: +1-408-217-1960
Email: sales@leopardimaging.com
Website: www.leopardimaging.com

650nm + 940nm Dual band filter



Peak #	Start (nm)	Apex (nm)	End (nm)	Height (%T)	Area (%T*nm)	Valley (nm)	Valley (%T)
1	1100.00	1080.00	946.00	0.93	4677.65	946.00	93.33
2	946.00	858.00	842.00	0.26	3725.43	842.00	1.61
3	842.00	780.00	732.00	0.02	24.53	732.00	0.76
4	732.00	722.00	706.00	0.57	31.33	706.00	2.67
5	706.00	684.00	600.00	0.34	4220.24	600.00	95.33
6	600.00	574.00	560.00	93.01	3970.43	560.00	95.55
7	560.00	550.00	540.00	95.08	2097.31	540.00	95.63
8	540.00	506.00	494.00	90.45	4495.85	494.00	95.00
9	494.00	478.00	470.00	91.57	2418.99	470.00	92.99
10	470.00	448.00	436.00	87.92	3283.20	436.00	93.00



Leopard Imaging Inc.

910 Auburn Ct, Fremont, CA 94538 USA
 Phone: +1-408-263-0988
 Fax: +1-408-217-1960
 Email: sales@leopardimaging.com
 Website: www.leopardimaging.com

LI-GMSL2-FP-USB-BOX



LI-OV2778-GW5400-GMSL2 can connect to LI-GMSL2-FP-USB-BOX as a USB 3.0 camera. Part#: [LI-USB30-OV2778-GW5400-GMSL2-xxxH](#)

Key Features

- USB 3.0 Super Speed support
- YUV output without compression
- Support HDR
- Support RGB and IR mode
- UVC compliance
- Provide customization services
- 12 VDC Power Supply (Comes with camera)
- Weight: ~ 178 g
- Single Coax Cable transmit up to 12 meter PoC(Power over Cable)
- Support 1920 x 1080 @ 30 fps
- Power consumption: TBD
- Support Windows, Linux OS and other OS which include UVC drivers



SDK Supported

- Camera Tool Source Code in C#
- Capture & Display



Leopard Imaging Inc.

910 Auburn Ct, Fremont, CA 94538 USA
Phone: +1-408-263-0988
Fax: +1-408-217-1960
Email: sales@leopardimaging.com
Website: www.leopardimaging.com

Revision History

Revision	Description	Release Date
1.0	First Release	5. Sep. 2019
1.1	Change the lens to HJ6074L	15. Nov. 2019
1.2	Change the ISP to GW5400	1. Sep. 2020
1.3	Change lens to 126H and USB3.0 Tester to FP version	30. Jan. 2021



Leopard Imaging Inc.

910 Auburn Ct, Fremont, CA 94538 USA
Phone: +1-408-263-0988
Fax: +1-408-217-1960
Email: sales@leopardimaging.com
Website: www.leopardimaging.com