



LEOPARD
IMAGING

LI-ISX019-TI933



Address:

910 Auburn Ct
Fremont, CA 94538
USA



Phone:

+1 (408)263-0988

Fax:

+1 (408)217-1960



Sales:

sales@leopardimaging.com

Support:

support@leopardimaging.com

INTRODUCTION

The LI-ISX019-TI933 is equipped with Sony 1.23MP SoC sensor ISX019 and TI FPD-Link Serializer TI933 and is designed for automotive applications. This camera outputs fine tuned YUV image data and supports HDR (High Dynamic Range).

KEY FEATURES

Sensor	Sony 4.69 mm CMOS SoC Sensor ISX019
Optical Format	1/3.8"
Resolution	1280 (H) x 960 (V)
Pixel Size	2.9 x 2.9 μm
Data Format	Tuned YUV data Coax Serial real time streaming
Color / Mono	Color sensor
HDR (High Dynamic Range) support	Yes
Serializer	TI FPD-Link TI933 (DS90UB933-Q1)
Power Supply Range	8 ~ 16 VDC
Connector	FAKRA A TYPE
IP Rating	IP69K
Operating Temp	-40°C ~ +85°C
Weight	~ 40 g
Part#	LI-ISX019-TI933

APPLICATIONS

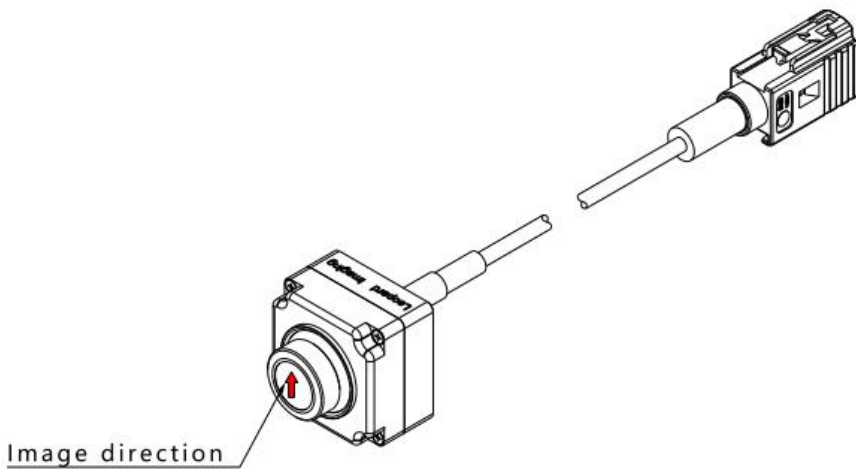
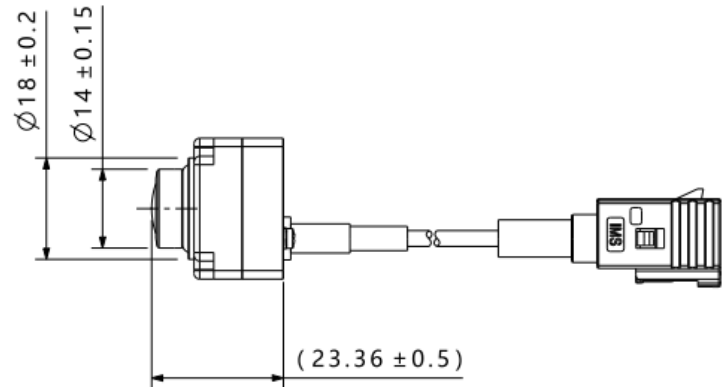
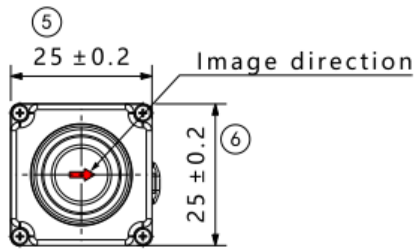
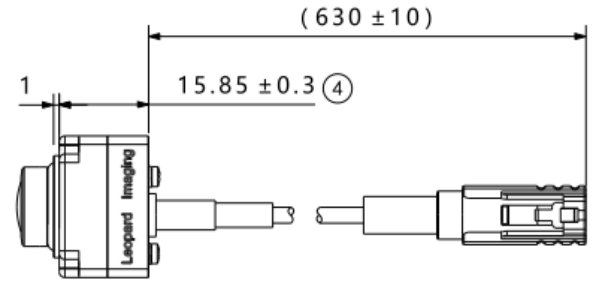
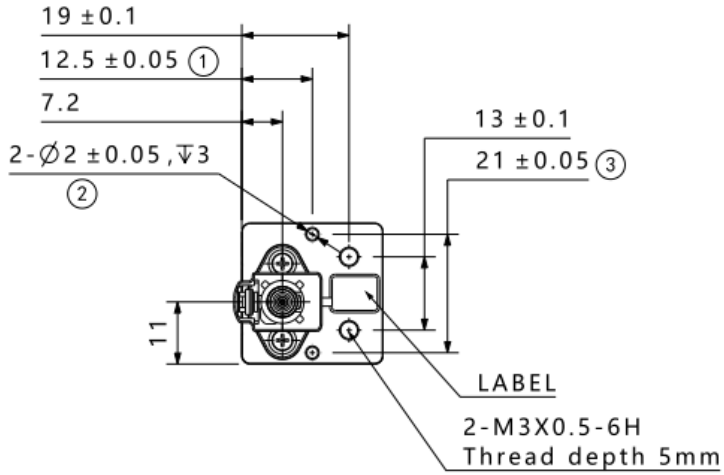
- Autonomous driving

LENS SPECIFICATIONS

Focal Length	1.96 mm
Aperture, F/#	2.2
Field of View (FOV)	110° horizontal
TTL	12.2 mm
F-Theta Distortion	< -4.5%
Relative Illumination	> 60%
Iris	Fixed
IR Filter	650 nm IR cut filter
Lens Mount	M12 x 0.5



DIMENSIONS

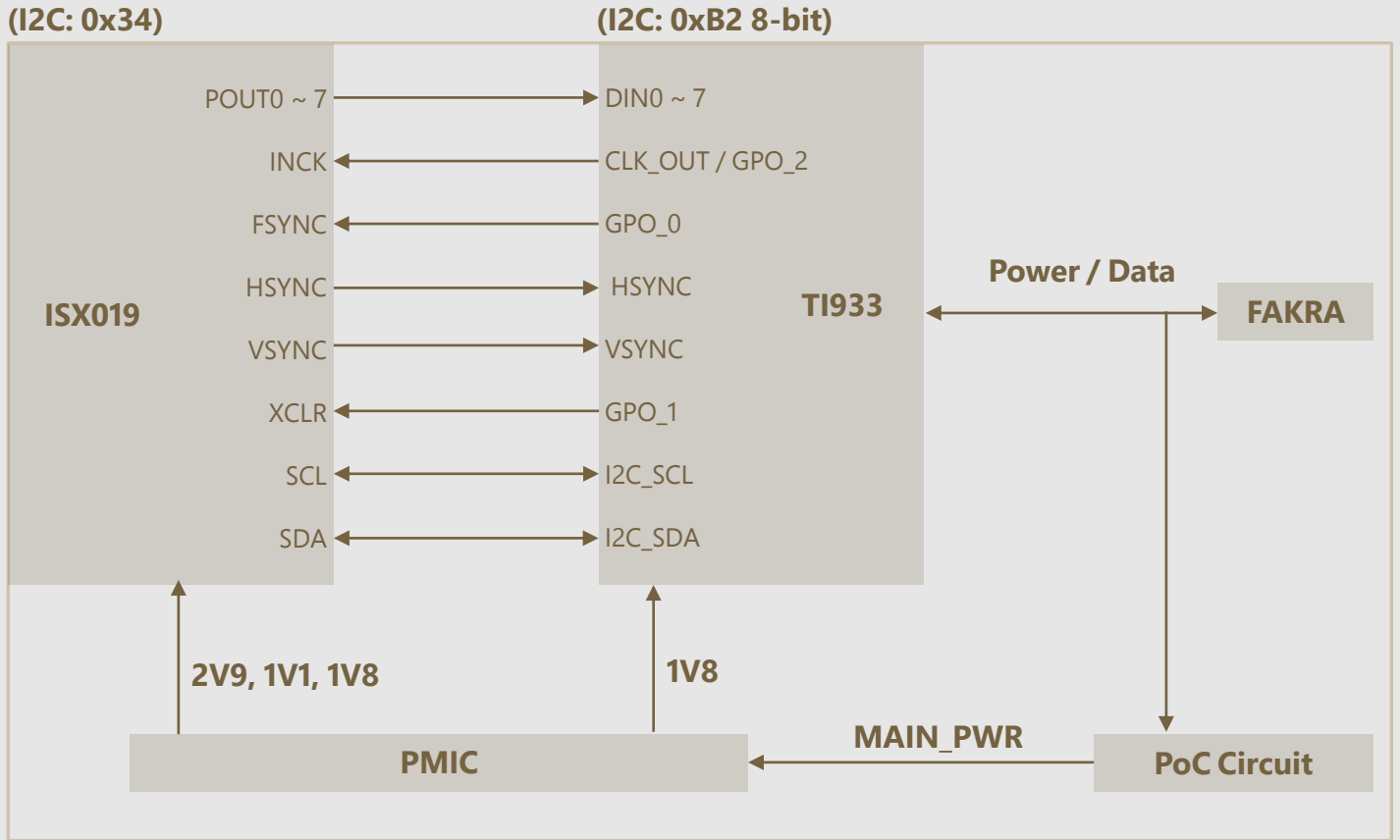


NOTE:

- ⊗ marked are important sizes.
- Other unmarked tolerances are ± 0.3 mm.

Unit: mm

PIN CONNECTIONS



USB3.0 Camera Kit

LI-TI914-USB-BOX



Front View



Side View

LI-ISX019-TI933 can connect to LI-TI914-USB-BOX as a USB 3.0 camera.

Part#: **LI-USB30-ISX019-TI933**

Key Features

- USB 3.0 Super Speed support
- UVC compliant
- Allows customization
- 12 VDC Power Supply
- Weight: ~ 126 g
- Single Coax Cable transmits up to 15 meters PoC (Power over Cable)
- Resolution: 1280 x 961 @ 30 fps
- Power consumption: Approx. 50mA @ 12 VDC
- Compatible with Windows, Linux OS and other OS which have UVC drivers

BOM

#	Items	QTY
1	LI-ISX019-TI933	1
2	LI-TI914-USB-BOX	1
3	12 VDC Power Supply	1
4	USB3.0 Cable	1



SDK Supported

- Camera Tool Source Code in C#
- Capture & Display
- ISP Binary Update

● REVISION HISTORY

Revision	Description	Release Date
1.0	First Release.	18 Jul 2020
1.1	Add USB3.0 camera kit information.	20 Jul 2020
1.2	<ol style="list-style-type: none">1. Updated power supply range, pics, 2D, weight and pin-out connection diagram.2. Deleted "BOM" and "Cable Connections" sections.	08 Aug 2023

910 Auburn Ct, Fremont, CA 94538, USA

Phone: +1-408-263-0988

Fax: +1-408-217-1960

Email: sales@leopardimaging.com

Website: www.leopardimaging.com

