



LEOPARD
IMAGING

LI-IMX728-FPDLINKIV-070H



Address:

910 Auburn Ct
Fremont, CA 94538
USA



Phone:

+1 (408)263-0988

Fax:

+1 (408)217-1960



Sales:

sales@leopardimaging.com

Support:

support@leopardimaging.com

INTRODUCTION

The LI-IMX728-FPDLINKIV-070H is equipped with Sony diagonal 9.30 mm 8.39MP CMOS RGGB sensor IMX728 and FPD-Link IV serializer TI971. This camera outputs 3857 x 2177 RAW data.

SPECIFICATIONS

Sensor	Diagonal 9.30 mm 8.39MP CMOS RGGB Sensor IMX728
Optical Format	1/1.72"
Resolution	3857 (H) x 2177 (V) (active pixels)
Pixel Size	2.1 x 2.1 μ m
Color / Mono	Color sensor
Output Format	24-bit / 20-bit / 16-bit / 12-bit / 10-bit RAW data
Maximum Frame Rate	45 fps @ 3857 x 2177
HDR (High Dynamic Range)	Supported
LFM (LED Flicker Mitigation)	Supported
Serializer	TI971 FPD-Link IV (DS90UB971-Q1)
Power Supply Range	9 ~ 19 VDC
Connector	FAKRA Z TYPE
IP Rating	TBD
Power Consumption	189 mA @ 12 VDC (3840 x 2160 @ 30 fps)
Operating Temp	-40°C ~ +85°C
Storage Temp	-40°C ~ +85°C
Weight	~ 54 g
Part#	LI-IMX728-FPDLINKIV-070H

APPLICATIONS

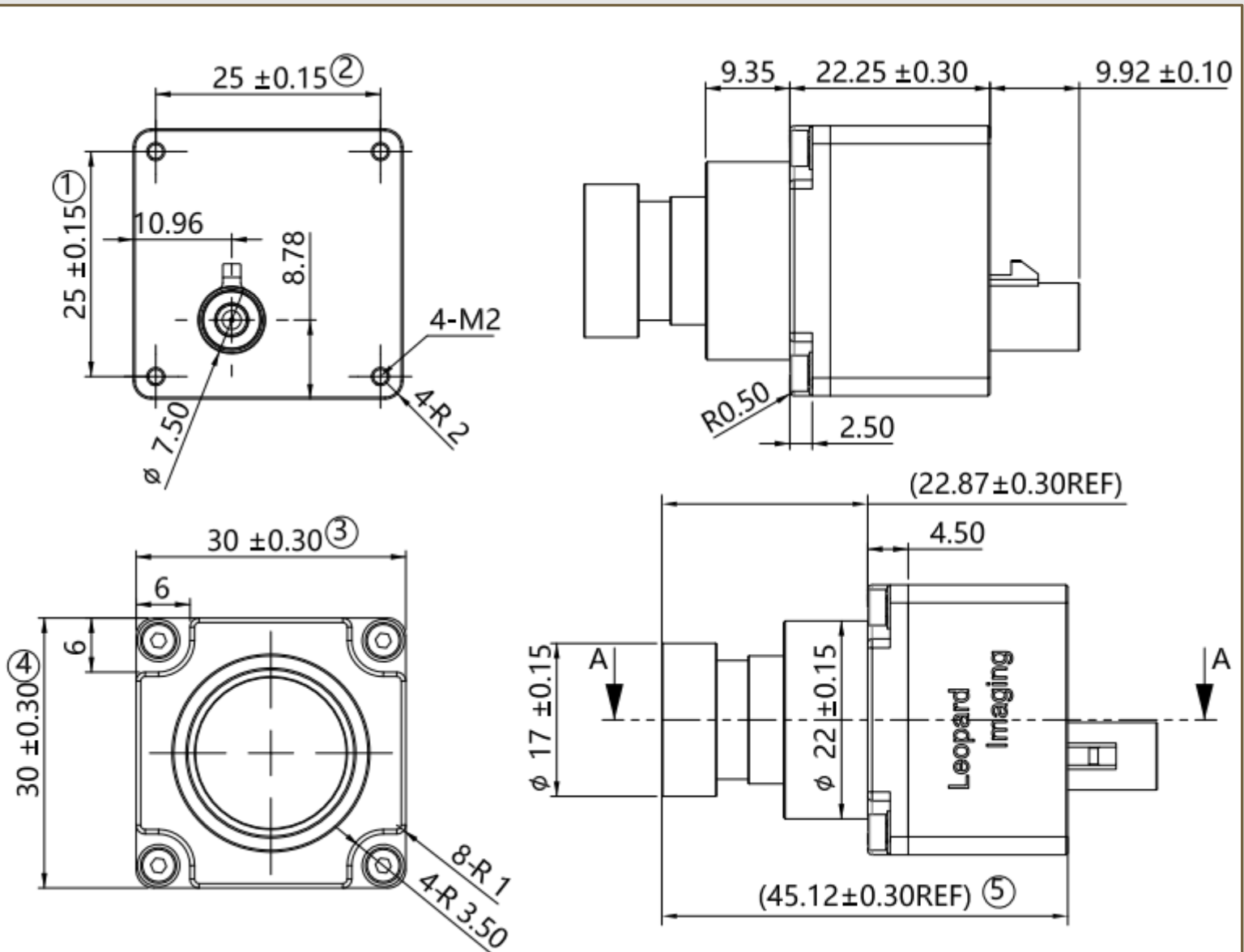
- Automotive
 - ◆ High Resolution Front Viewing
 - ◆ Machine Vision
 - ◆ Autonomous Driving
 - ◆ Assisted Driving
 - ◆ Digital Video Recording

LENS SPECIFICATIONS

Focal Length	6.7 mm
Aperture, F/#	1.65
Field of View (FOV)	70° horizontal
Distortion	-1.9% f-theta @ 8 mm
IR Cut Filter	660 nm IR cut filter
Lens Mount	M14 x P0.5



DIMENSIONS



NOTE:

- ⊗ marked are important sizes.
- Tolerances for others unmarked are ± 0.3 mm.
- All materials are compliant with RoHS requirements.

Unit: mm

PINOUT CONNECTIONS

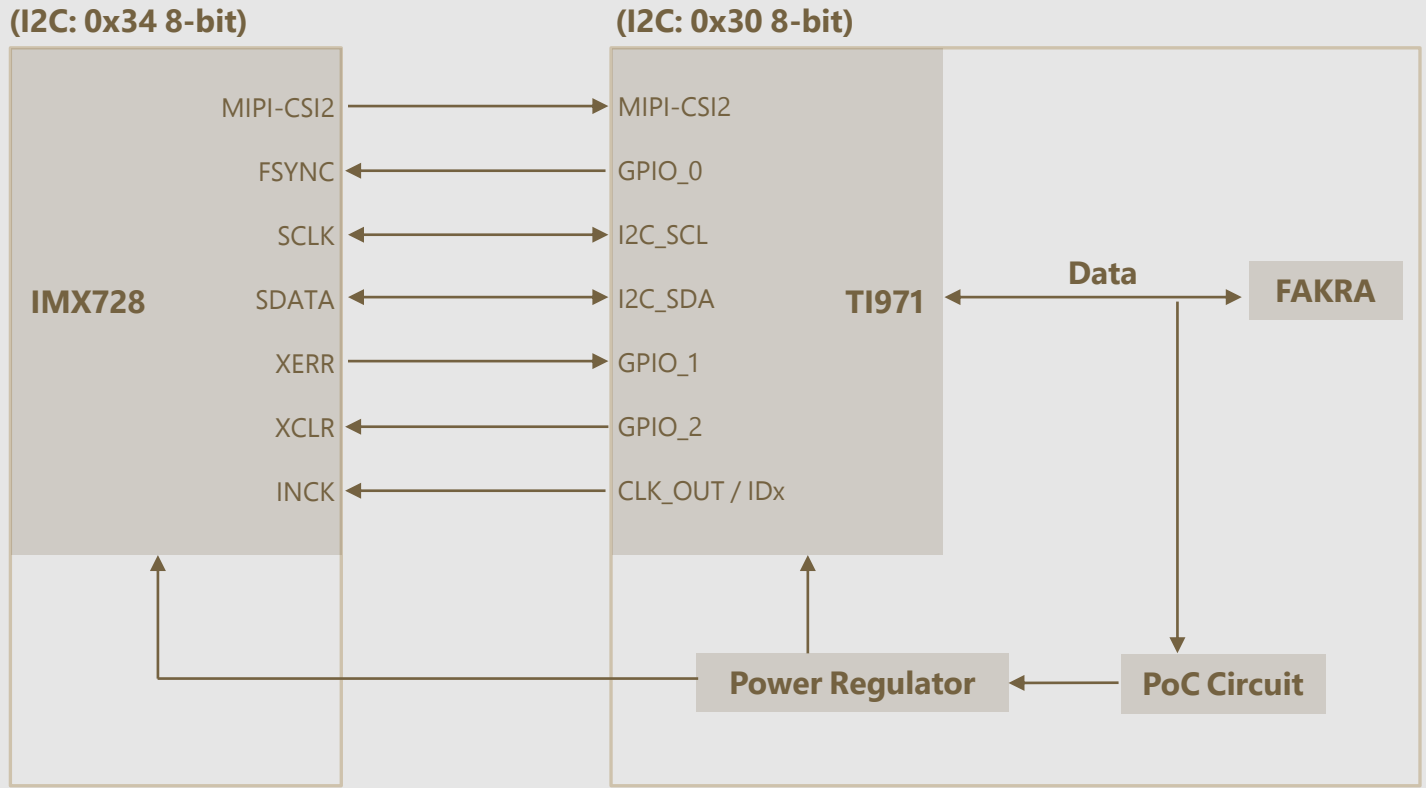


IMAGE ORIENTATION



● REVISION HISTORY

Revision	Description	Release Date
0.1	Initial draft.	24 Dec 2021
0.2	1. Replaced 3D images with actual product pictures. 2. Updated weight info.	22 Apr 2022
0.3	Updated I2C address for sensor and deleted USB30 section.	15 Sep 2023
0.4	1. Updated power consumption and pinout connections. 2. Added Imaging direction.	17 Nov 2023
0.5	Updated temp info.	19 Dec 2023

910 Auburn Ct, Fremont, CA 94538, USA

Phone: +1-408-263-0988

Fax: +1-408-217-1960

Email: sales@leopardimaging.com

Website: www.leopardimaging.com

