



**LEOPARD**  
IMAGING

# LI-IMX728-FP4-120H-DSL



**Address:**

910 Auburn Ct  
Fremont, CA 94538  
USA



**Phone:**

+1 (408)263-0988

**Fax:**

+1 (408)217-1960



**Sales:**

[sales@leopardimaging.com](mailto:sales@leopardimaging.com)

**Support:**

[support@leopardimaging.com](mailto:support@leopardimaging.com)

## INTRODUCTION

The IMX728 FPD-LINKIV camera is equipped with Sony diagonal 9.30 mm 8.39MP CMOS RRGB / RCCB / RCCG sensor IMX728 and FPD-Link IV serializer TI971. This camera outputs RAW image data.

## SPECIFICATIONS

Sensor	Sony Diagonal 9.30 mm 8.39MP CMOS Sensor IMX728 (ES3 version)
Pixel Array	RRGB / RCCB / RCCG
Optical Format	1/1.72"
Resolution	3857 (H) x 2177 (V) (active pixels)
Pixel Size	2.1 x 2.1 $\mu\text{m}$
Color / Mono	Color sensor
Output Format	24-bit / 20-bit / 16-bit / 12-bit / 10-bit RAW data
Maximum Frame Rate	45 fps @ 3857 x 2177
HDR (High Dynamic Range)	Supported
LFM (LED Flicker Mitigation)	Supported
Serializer	TI971 FPD-Link IV (DS90UB971-Q1)
Power Supply Range	9 ~ 19 VDC
Connector	FAKRA Z TYPE
Waterproof	No
Power Consumption	155 mA @ 12 VDC (3840 x 2160 @ 16 fps)
Operating Temp	-40°C ~ +85°C
Storage Temp	-40°C ~ +85°C
Weight	~ 40 g

## APPLICATIONS

- Automotive
  - ◆ High Resolution Front Viewing
  - ◆ Machine Vision
  - ◆ Autonomous Driving
  - ◆ Assisted Driving
  - ◆ Digital Video Recording

## PART NUMBER

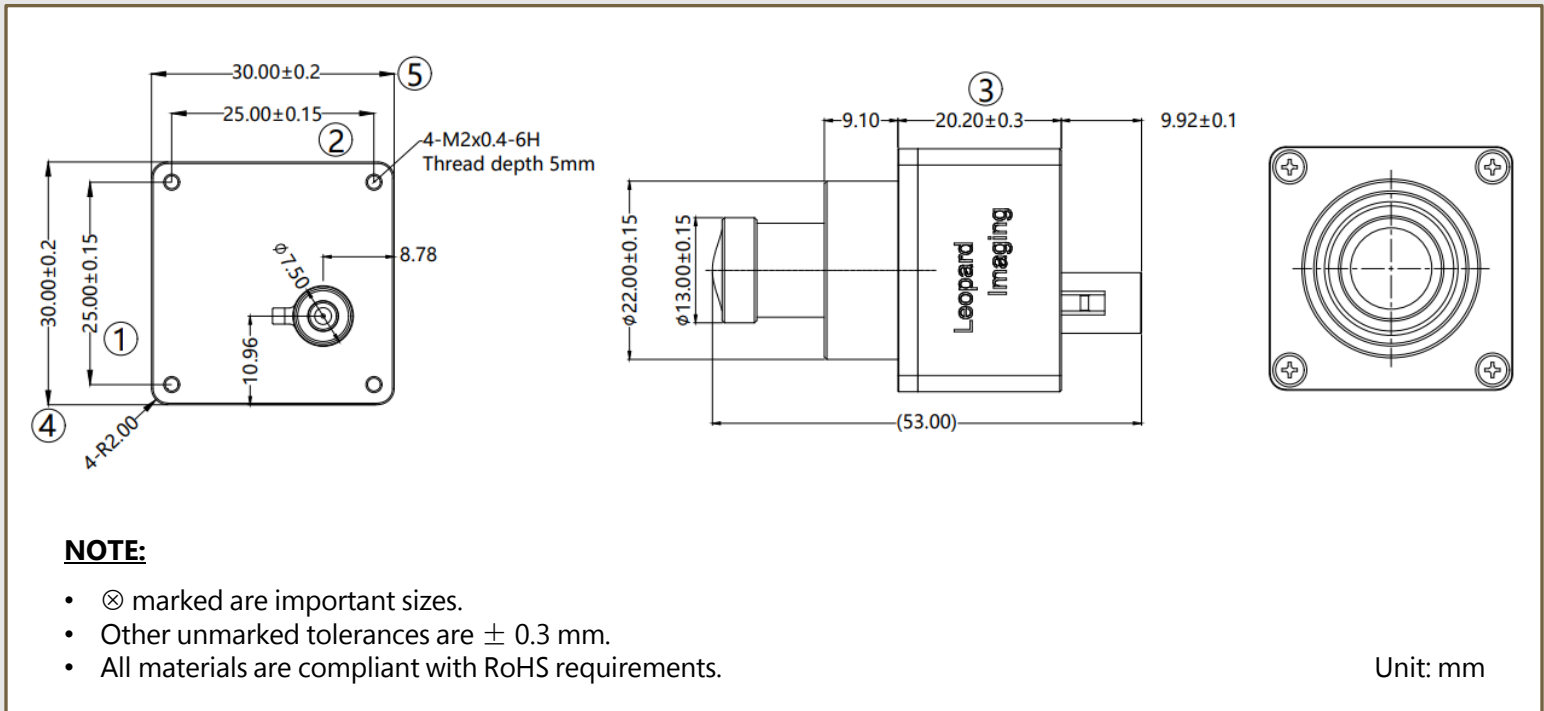
RRGB	LI-IMX728-FP4-120H-DSL
RCCB	LI-IMX728RCCB-FP4-120H-DSL
RCCG	LI-IMX728RCCG-FP4-120H-DSL

## LENS SPECIFICATIONS

Focal Length	5.1 mm $\pm$ 2%
Aperture, F/#	1.6 $\pm$ 5%
Field of View (FOV)	120° horizontal
IR Cut Filter	700 nm IR cut filter
Lens Mount	M16 x P0.5



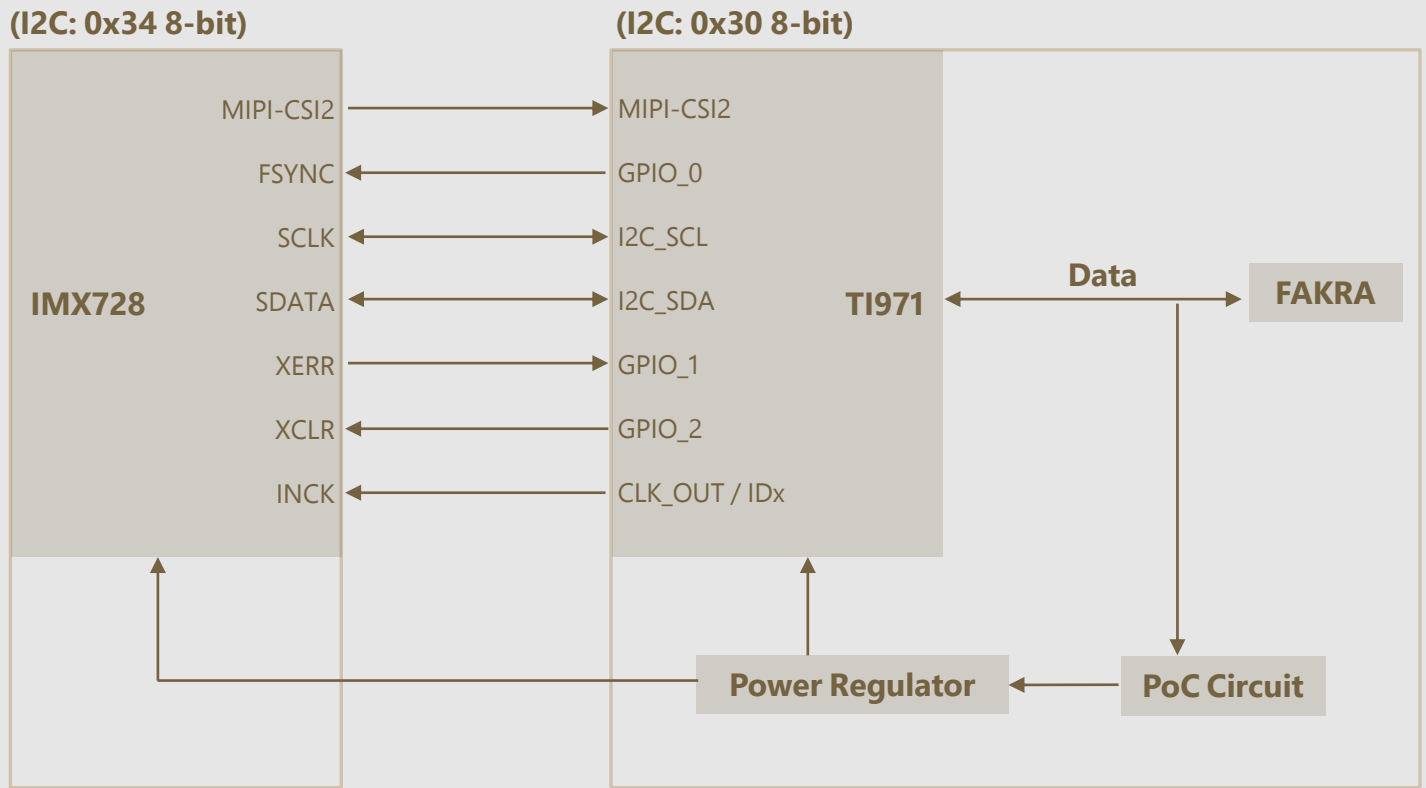
## DIMENSIONS



## IMAGE ORIENTATION



# PINOUT CONNECTIONS



## USB3.0 CAMERA KIT

LI-FPDLINKIV-USB



Top View



Bottom View

The IMX728 FPDLINKIV camera can connect to LI-FPDLINKIV-USB as a USB 3.0 camera.

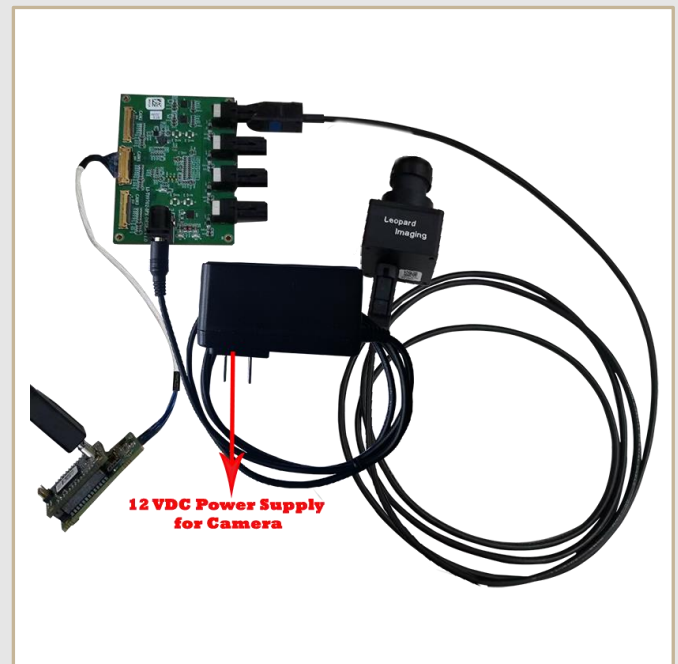
Part#: **LI-USB30-IMX728-FP4-120H-DSL / LI-USB30-IMX728RCCB-FP4-120H-DSL / LI-USB30-IMX728RCCG-FP4-120H-DSL**

### SPECIFICATIONS

- USB 3.0 Super Speed support
- UVC compliant
- Allows customization
- 12 VDC Power Supply for camera
- Weight: ~ 141 g (without power and USB30 cable)
- Single Coax Cable transmits up to 12 meters PoC (Power over Cable)
- Resolution: 3840 x 2160 @ 16 fps
- Power consumption: 155 mA @ 12 VDC
- Compatible with Windows, Linux OS and other OS which have UVC drivers

### BOM

#	Items	QTY
1	LI-IMX728-FP4-120H-DSL / LI-IMX728RCCB-FP4-120H-DSL / LI-IMX728RCCG-FP4-120H-DSL	1
2	LI-FPDLINKIV-USB	1
3	3-Meter Fakra Cable	1
4	12 VDC Power Supply	1
5	USB3.0 Cable	1



### SDK SUPPORTED

- Camera Tool Source Code in C#
- Capture & Display
- Register Access Function

## REVISION HISTORY

Revision	Description	Release Date
1.0	First release.	25 Dec 2023

910 Auburn Ct, Fremont, CA 94538, USA

Phone: +1-408-263-0988

Fax: +1-408-217-1960

Email: [sales@leopardimaging.com](mailto:sales@leopardimaging.com)

Website: [www.leopardimaging.com](http://www.leopardimaging.com)

