



LEOPARD
IMAGING

LI-IMX728-9295-xxxH



Address:

910 Auburn Ct
Fremont, CA 94538
USA



Phone:

+1 (408)263-0988

Fax:

+1 (408)217-1960



Sales:

sales@leopardimaging.com

Support:

support@leopardimaging.com

INTRODUCTION

The LI-IMX728-9295-xxxH is equipped with Sony diagonal 9.30 mm 8.39MP CMOS RGGB sensor IMX728 and Maxim GMSL2 serializer MAX9295A/B. This camera outputs 3857 x 2177 RAW data.

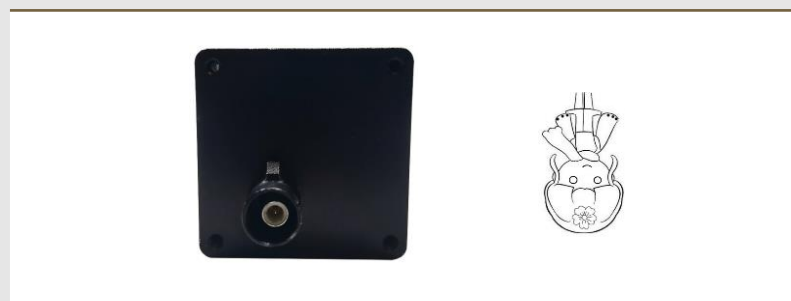
SPECIFICATIONS

Sensor	Diagonal 9.30 mm 8.39MP CMOS RGGB Sensor IMX728
Optical Format	1/1.72"
Resolution	3857 (H) x 2177 (V) (active pixels)
Pixel Size	2.1 x 2.1 μ m
Color / Mono	Color sensor
Output Format	20-bit / 16-bit / 12-bit / 10-bit RAW data
Maximum Frame Rate	45 fps @ 3857 x 2177
HDR (High Dynamic Range)	Supported
LFM (LED Flicker Mitigation)	Supported
Lens	FOV H 30° / 70° / 120°
Serializer	Maxim MAX9295A/B
Power Supply Range	9 ~ 19 VDC
Connector	FAKRA Z TYPE
IP Rating	030H: TBD 070H: IP67 120H: IP69K
Power Consumption	Approx. 129 mA @ 12 VDC (3840 x 2160 @ 19 fps)
Operating Temp	-40°C ~ +85°C
Storage Temp	-40°C ~ +85°C
Weight	~ 50 g
Part#	LI-IMX728-9295-xxxH

APPLICATIONS

- Automotive
 - ◆ High Resolution Front Viewing
 - ◆ Machine Vision
 - ◆ Autonomous Driving
 - ◆ Assisted Driving
 - ◆ Digital Video Recording

IMAGE ORIENTATION



CABLE CONNECTOR

- Housing Connector: FAKRA Z Type
- Cable Length: 3 meters
- Cable Part#: FAK-SMZSMZ-3M



030H

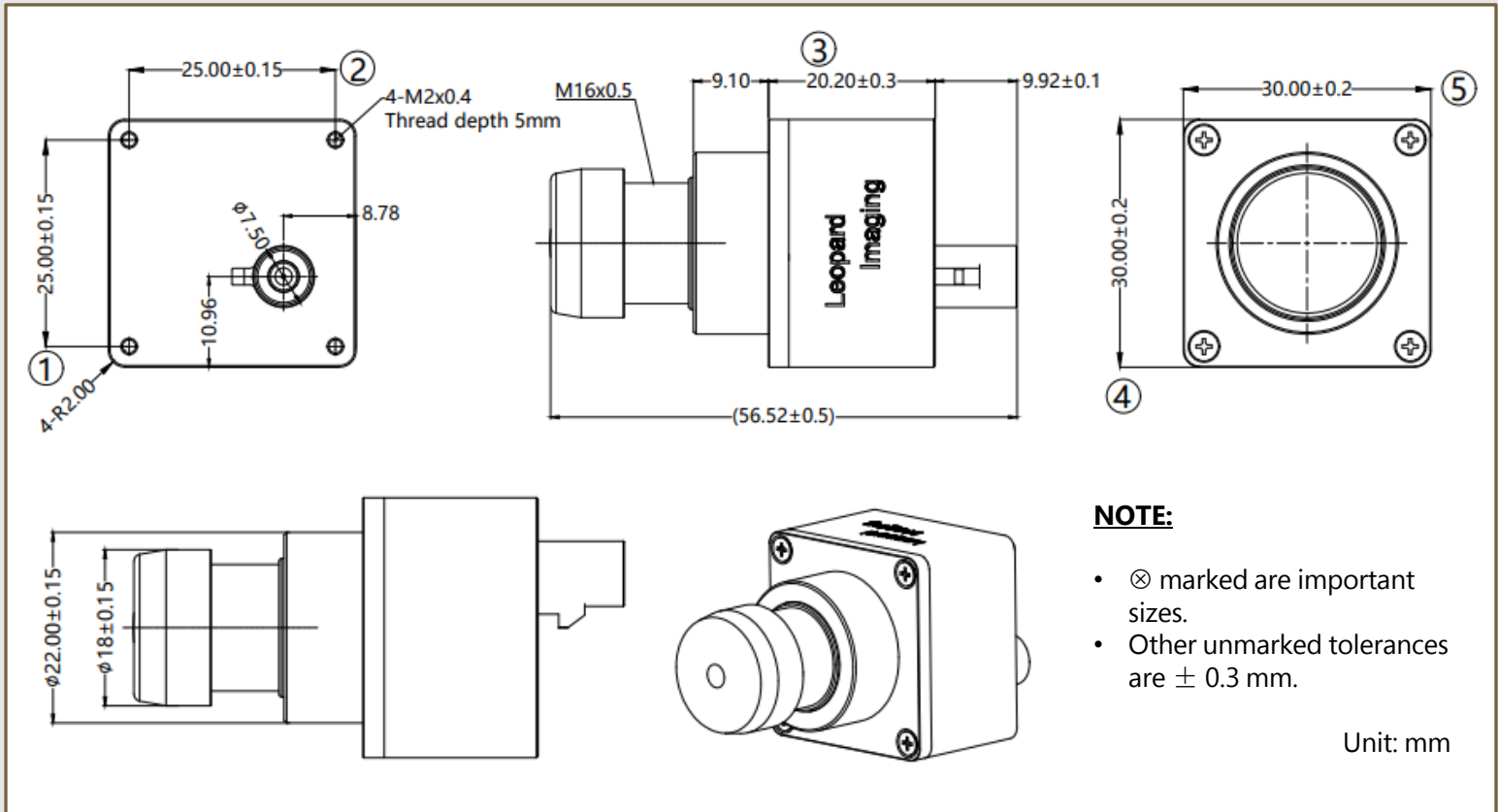


070H



120H

DIMENSIONS: LI-IMX728-9295-030H

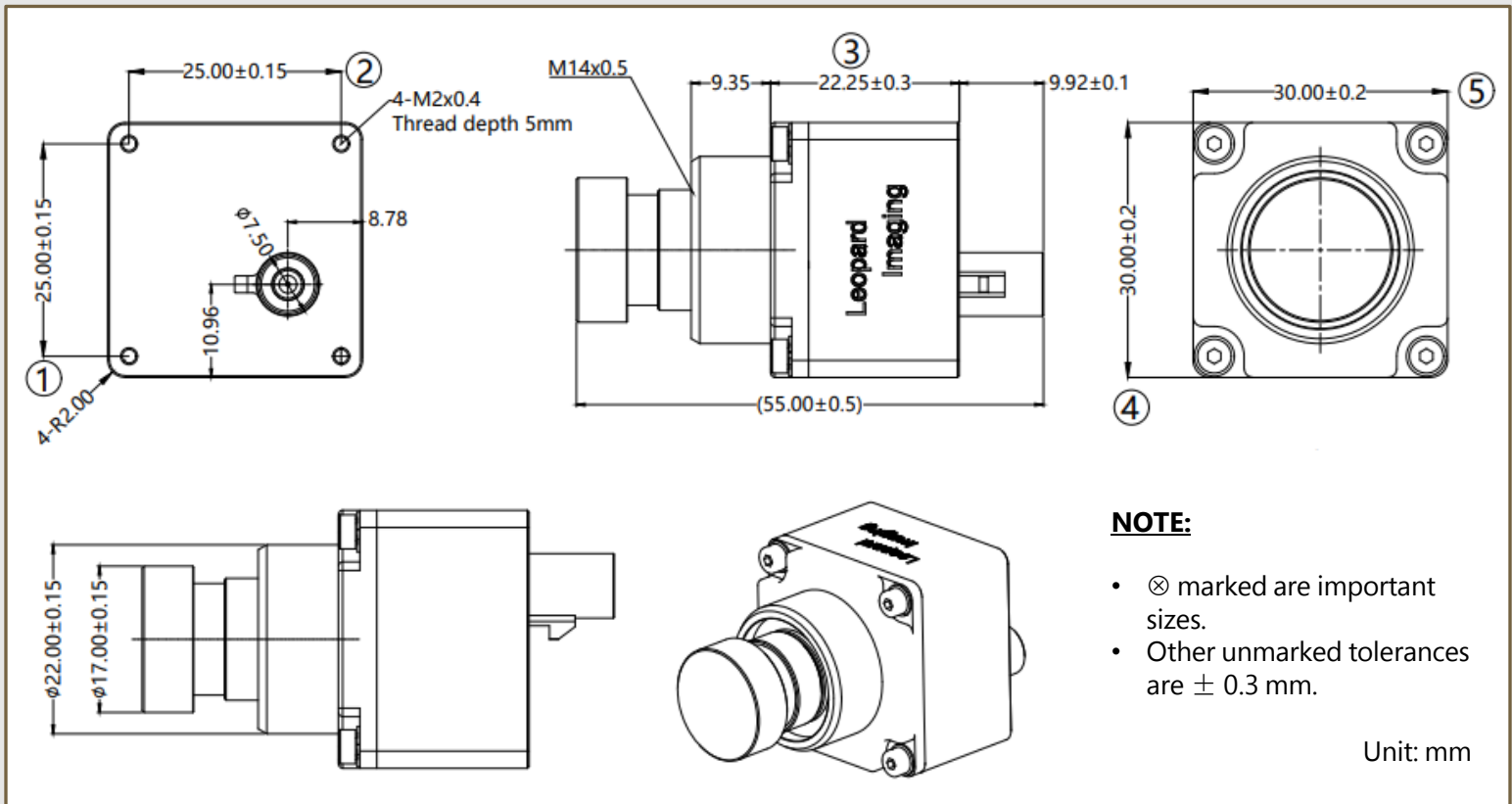


NOTE:

- ⊗ marked are important sizes.
- Other unmarked tolerances are ± 0.3 mm.

Unit: mm

DIMENSIONS: LI-IMX728-9295-070H

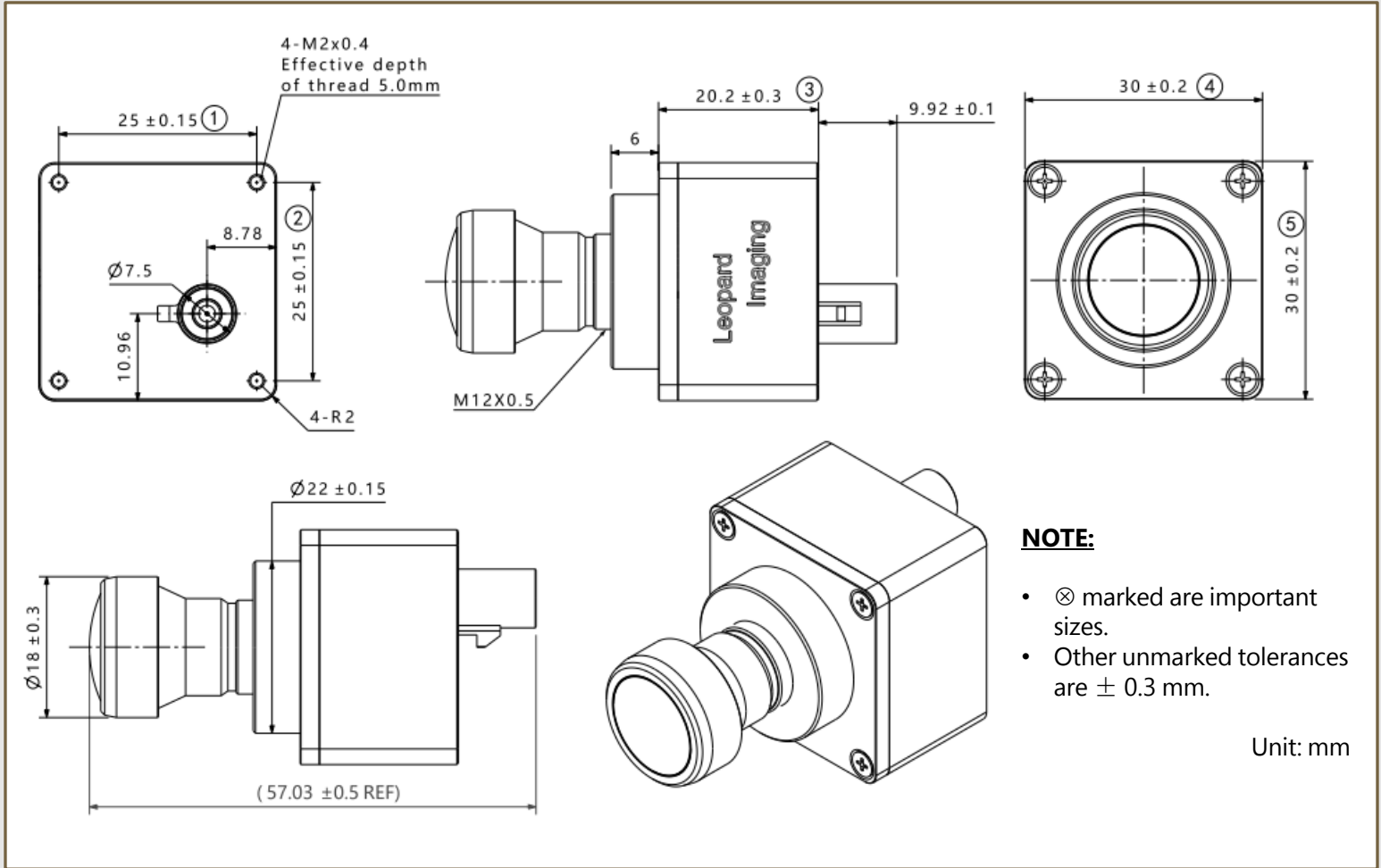


NOTE:

- ⊗ marked are important sizes.
- Other unmarked tolerances are ± 0.3 mm.

Unit: mm

DIMENSIONS: LI-IMX728-9295-120H



ORDERING INFORMATION

NOTE:

xxxH - 030H: FOV H 30° xxxH - 070H: FOV H 70° xxxH - 120H: FOV H 120°

LI-IMX728-9295-030H



Lens EFL: 15.3 mm \pm 0.15

Aperture, F/#: 1.65 \pm 0.15

Field of View (FOV): 30.0° horizontal

IR Filter: 660 nm IR cut filter

Mount: M16

LI-IMX728-9295-070H



Lens EFL: 6.7 mm

Aperture, F/#: 1.65

Field of View (FOV): 70.0° horizontal

IR Filter: 660 nm IR cut filter

Mount: M14

LI-IMX728-9295-120H



Lens EFL: 3.9 mm \pm 2%

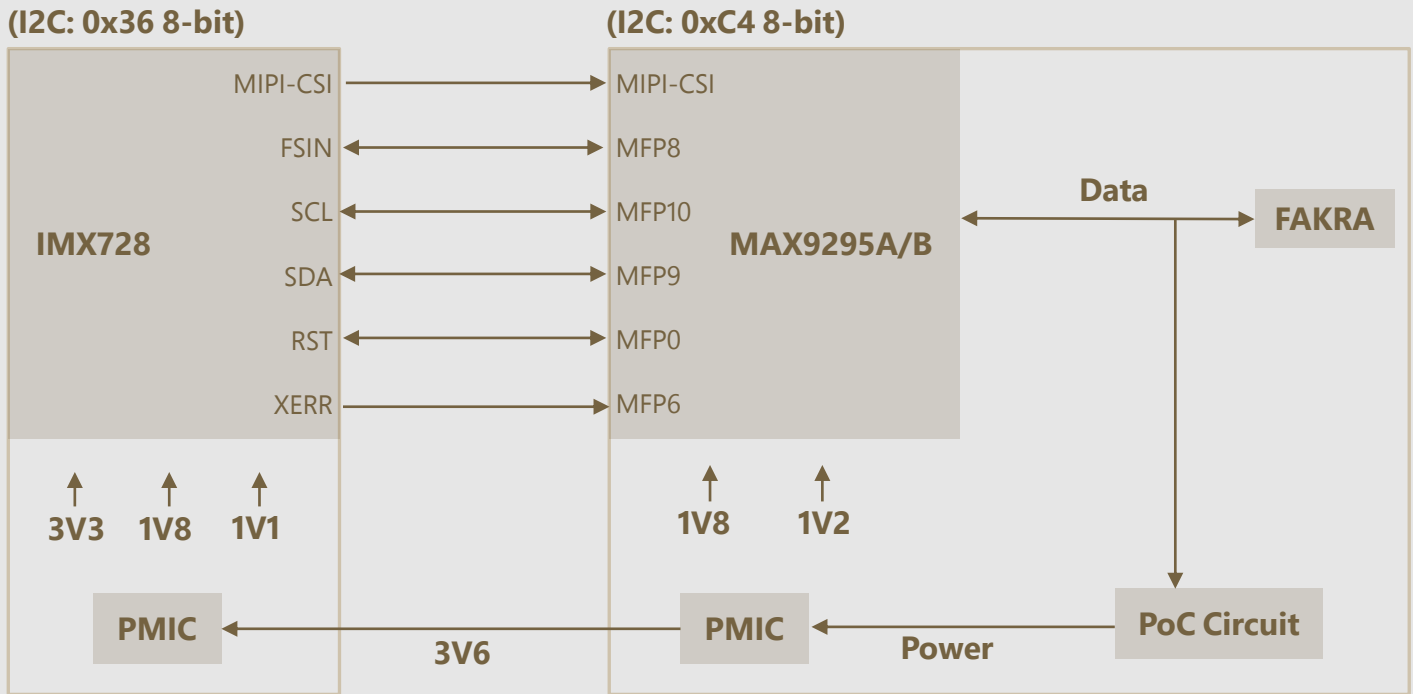
Aperture, F/#: 1.6 \pm 5%

Field of View (FOV): 121.2° horizontal

IR Filter: 650 nm IR cut filter

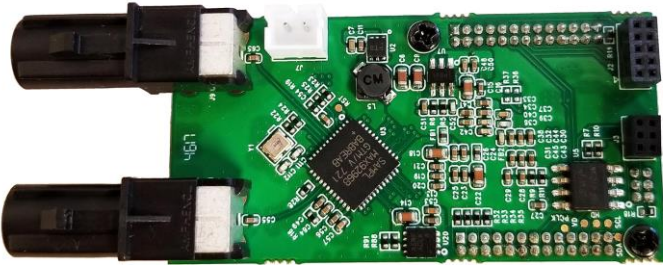
Mount: M12

PINOUT CONNECTIONS

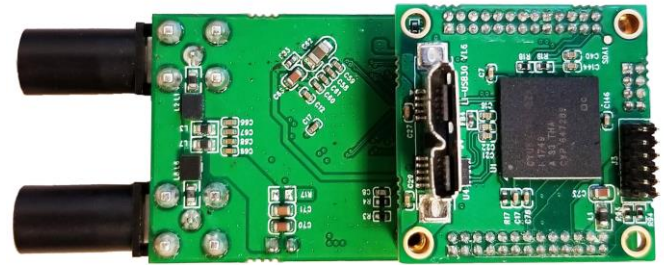


USB3.0 CAMERA KIT

LI-GMSL2-USB



Top View



Bottom View

LI-IMX728-9295-xxxH can connect to LI-GMSL2-USB as a USB 3.0 camera.

Part#: **LI-USB30-IMX728-9295-xxxH**

SPECIFICATIONS

- USB 3.0 Super Speed support
- UVC compliant
- Allows customization
- 12 VDC Power Supply for camera
- Weight: ~ 117 g
- Single Coax Cable transmits up to 12 meters PoC (Power over Cable)
- Resolution: 3840 x 2160 @ 19 fps
- Power consumption: Approx. 129 mA @ 12 VDC
- Compatible with Windows, Linux OS and other OS which have UVC drivers

BOM

#	Items	QTY
1	LI-IMX728-9295-xxxH	1
2	LI-GMSL2-USB	1
3	3-Meter Fakra Cable	1
4	12 VDC Power Supply	1
5	USB3.0 Cable	1



SDK SUPPORTED

- Camera Tool Source Code in C#
- Capture & Display
- Register Access Function

● REVISION HISTORY

Revision	Description	Release Date
0.1	Initial draft.	05 Aug 2022
0.2	Updated 120H lens as well as related 2D dimensions and 3D images.	23 Aug 2022
0.3	Replaced GMSL2 with 9295 in Part#.	02 Sep 2022
0.4	Updated I2C address.	06 Mar 2023
0.5	<ol style="list-style-type: none">1. Updated power consumption, USB30 resolution and weight.2. Replaced 3D images with actual product images.3. Deleted lens IP on "Ordering Information" page.	25 Apr 2023
0.6	Added image direction.	27 Dec 2023

910 Auburn Ct, Fremont, CA 94538, USA

Phone: +1-408-263-0988

Fax: +1-408-217-1960

Email: sales@leopardimaging.com

Website: www.leopardimaging.com

