



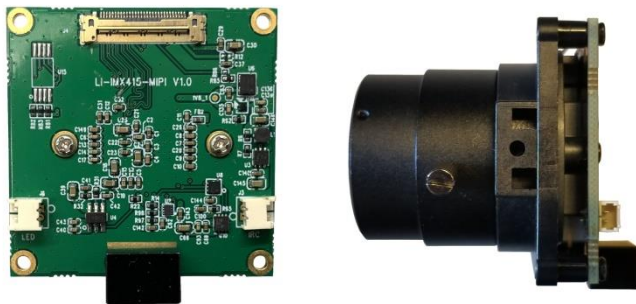
**LEOPARD**  
IMAGING

# LI-IMX415-MIPI-CS

## Data Sheet

### Key Features

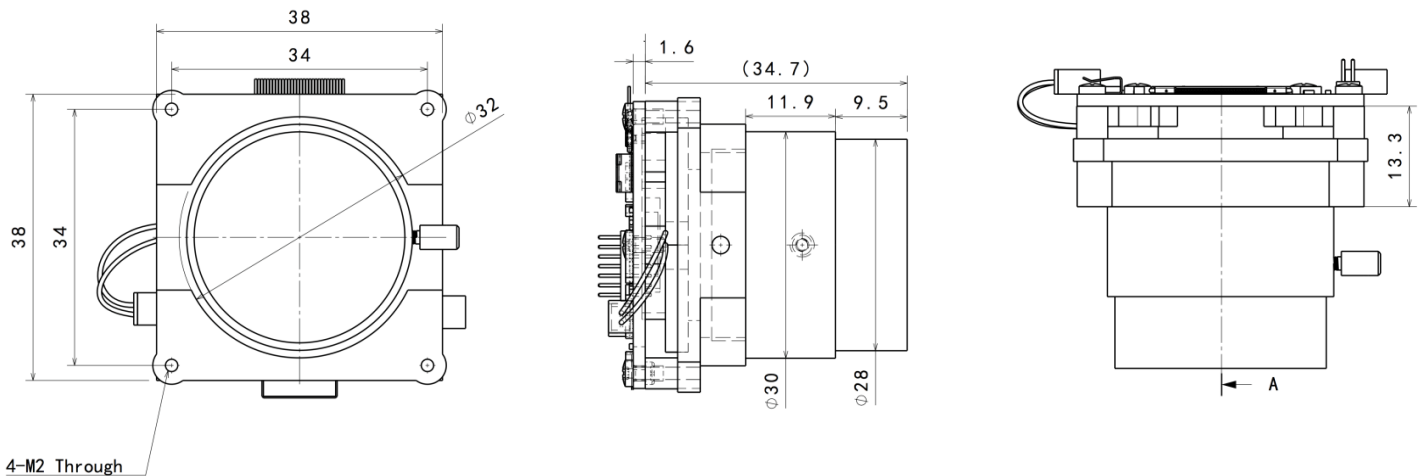
- Sony Diagonal 6.43 mm (Type 1/2.8) CMOS Image Sensor IMX415
- Active pixels: 3864 (H) x 2176 (V)
- Pixel size: 1.45 x 1.45  $\mu\text{m}$
- Color sensor
- Interface: MIPI output
- Supports CS lens
- Module size: 38 x 38 mm
- Weight: ~ 56 g
- Part#: **LI-IMX415-MIPI-CS**



### Lens Spec

- Focal Length: 5.0 mm
- Aperture, F/#: 2.2
- Built in 650 nm IR cut filter
- FOV (D / H / V): 80.6° / 70.6° / 40.6°
- TV Distortion: < -8%
- Mount Type: CS

### Dimensions



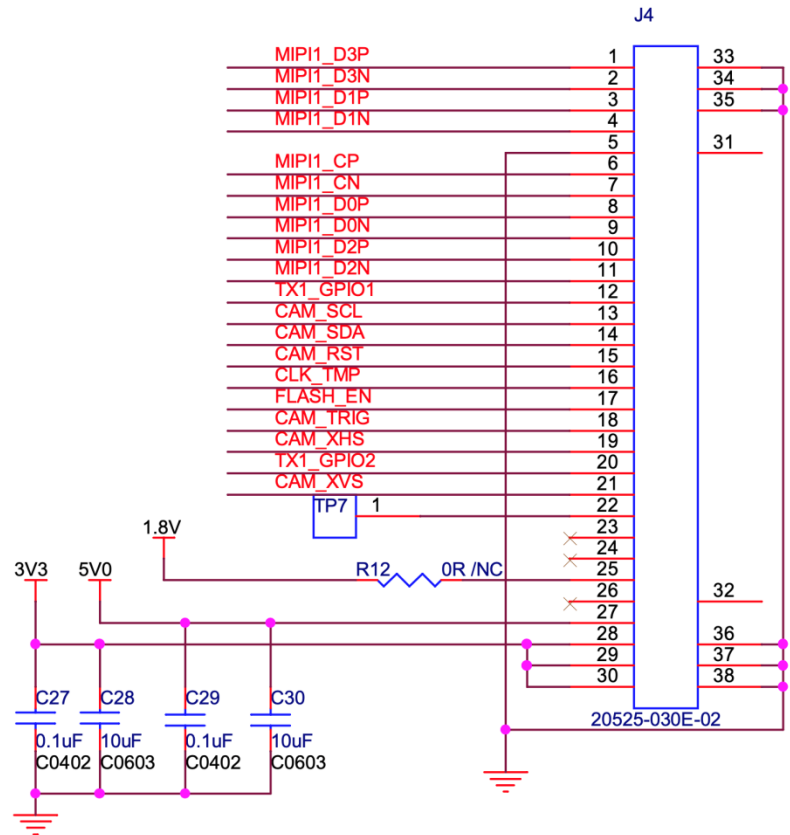
Leopard Imaging Inc.

910 Auburn Ct, Fremont, CA 94538, USA  
 Phone: +1-408-263-0988  
 Fax: +1-408-217-1960  
 Email: sales@leopardimaging.com  
 Website: www.leopardimaging.com

# Interfaces

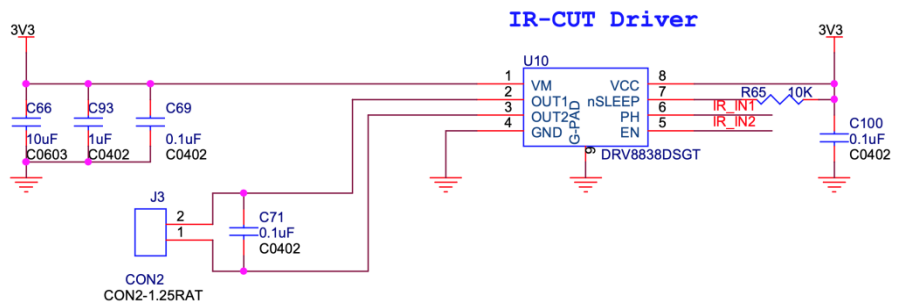
## Interface J4:

- Part#: 20525-030E-02
- Number of Positions: 30
- Pitch: 0.4 mm
- Mating I-PEX cable: LI-FAW-1233



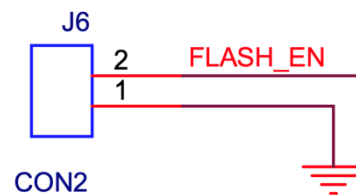
## Interface J3:

- Part#: 1734829-2
- Number of Positions: 2
- Pitch: 1.25 mm



## Interface J6:

- Part#: 1734829-2
- Number of Positions: 2
- Pitch: 1.25 mm



## Revision History

Revision	Description	Release Date
1.0	First release.	11. Oct. 2019
1.1	Deleted info quoted from sensor spec.	27. May. 2022
1.2	Deleted lens model info.	24. Jul. 2023

