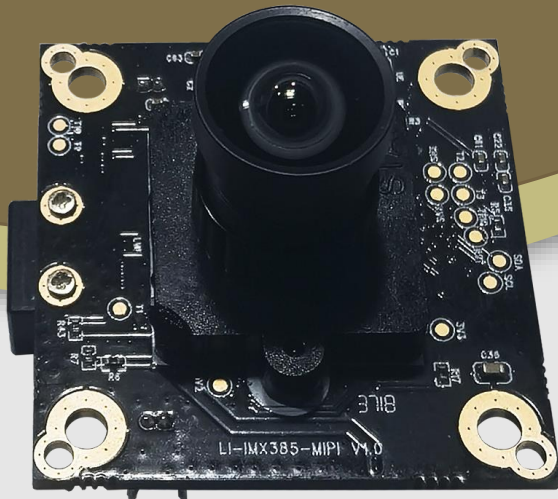




LEOPARD
IMAGING

LI-IMX385-MIPI-M12



Address:

910 Auburn Ct
Fremont, CA 94538
USA



Phone:

+1 (408)263-0988

Fax:

+1 (408)217-1960



Sales:

sales@leopardimaging.com

Support:

support@leopardimaging.com

INTRODUCTION

The LI-IMX385-MIPI-M12 is equipped with Sony diagonal high sensitivity, low dark current 8.35 mm CMOS solid-state image sensor IMX385. This camera outputs RAW data.

SPECIFICATIONS

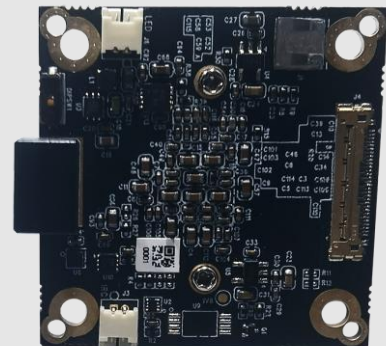
Sensor	Sony Diagonal 8.35 mm Type 1/2 CMOS Image Sensor IMX385LQR
Optical Format	1/2"
Resolution	1937 (H) x 1097 (V) (active pixels)
Pixel Size	3.75 x 3.75 μm
Color / Mono	Color sensor
Output Format	12-bit / 10-bit RAW data
Maximum Frame Rate	120 fps @ All pixel scan mode
ISP	Not included
Color / Mono	Color sensor
Interface	4-lane MIPI CSI-2
Power Consumption	TBD
Operating Temp	TBD
Storage Temp	TBD
Weight	~ 16 g
Part#	LI-IMX385-MIPI-M12

APPLICATIONS

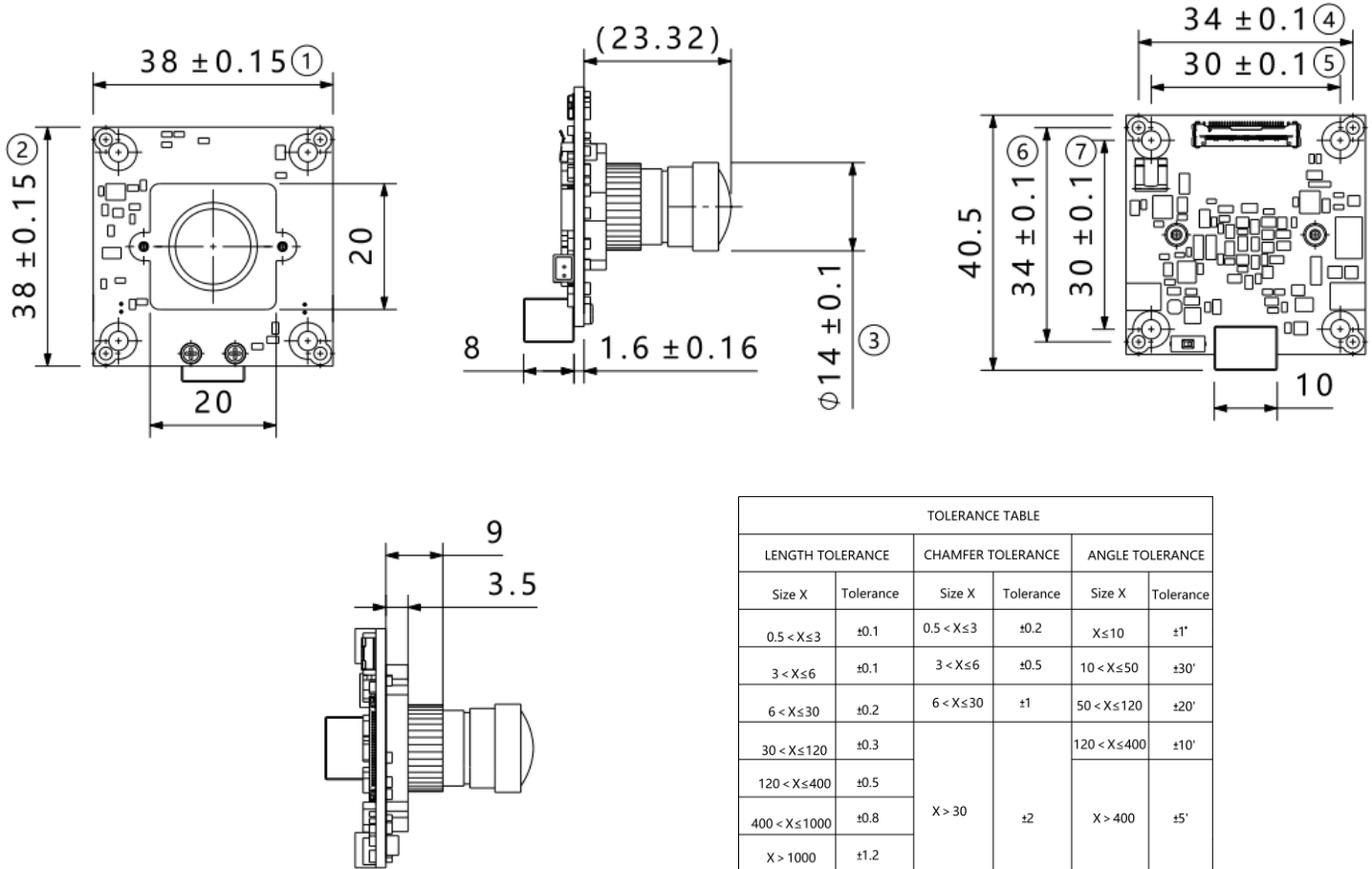
- IoT
- Robot
- Drone

LENS SPECIFICATIONS

Effective Focal Length	3.25 mm \pm 5%
Aperture, F/#	2.60 \pm 5%
Field of View (FOV)	96° horizontal
TV Distortion	< -0.6%
Relative Illumination	> 58.98%
IR Filter	650 nm IR cut filter
Lens Mount	M12 x P0.5



DIMENSIONS



TOLERANCE TABLE					
LENGTH TOLERANCE		CHAMFER TOLERANCE		ANGLE TOLERANCE	
Size X	Tolerance	Size X	Tolerance	Size X	Tolerance
$0.5 < X \leq 3$	± 0.1	$0.5 < X \leq 3$	± 0.2	$X \leq 10$	$\pm 1'$
$3 < X \leq 6$	± 0.1	$3 < X \leq 6$	± 0.5	$10 < X \leq 50$	$\pm 30'$
$6 < X \leq 30$	± 0.2	$6 < X \leq 30$	± 1	$50 < X \leq 120$	$\pm 20'$
$30 < X \leq 120$	± 0.3	$X > 30$	± 2	$120 < X \leq 400$	$\pm 10'$
$120 < X \leq 400$	± 0.5			$X > 400$	$\pm 5'$
$400 < X \leq 1000$	± 0.8				
$X > 1000$	± 1.2				

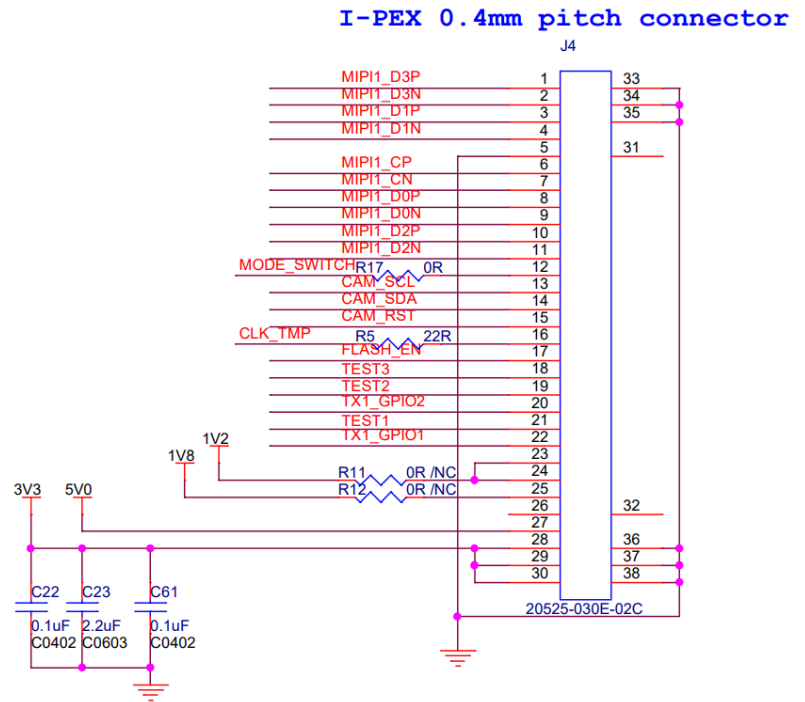
NOTE:

- ⊗ marked are important sizes.
- Tolerances for the unmarked – refer to the Tolerance table.
- All materials are compliant with RoHS requirements.

Unit: mm

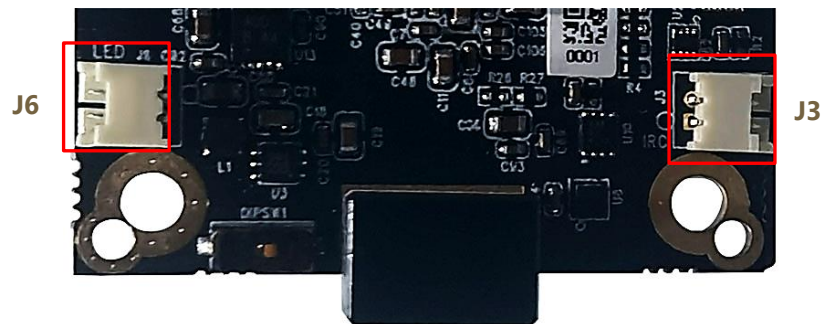
INTERFACE J4

- Connector Part#: 20525-030E-02
- Number of Positions: 30
- Pitch: 0.4 mm
- Mating I-PEX Cable: FAW-1233
- Sensor I2C Address: 0x1A (7-bit)
- External Power Supply: 3.3V, 5.0V
- 3V3A, 1V8, 1V2 are generated from board.



INTERFACE J3 & J6

Interfaces	Description
J3 for IR-Cut switcher (NOT used in default)	<ul style="list-style-type: none"> ■ Part#: 1734829-2 ■ Number of Positions: 2 ■ Pitch: 1.25 mm
J6 for Flash_EN (NOT used in default)	<ul style="list-style-type: none"> ■ Part#: 1734829-2 ■ Number of Positions: 2 ■ Pitch: 1.25 mm



• DIP SWITCH FOR MODE SELECTION

- Two modes: Master (default) and Slave.



**Master mode
by default**

● REVISION HISTORY

Revision	Description	Release Date
1.0	First release.	25 Dec 2019
1.1	Deleted info quoted from sensor spec.	26 May 2022
1.2	1. Updated lens and related product pics and 2D. 2. Updated interfaces.	25 Dec 2023

910 Auburn Ct, Fremont, CA 94538, USA

Phone: +1-408-263-0988

Fax: +1-408-217-1960

Email: sales@leopardimaging.com

Website: www.leopardimaging.com

