

LI-IMX264-MIPI-M12

Data Sheet

Key Features

- Sony Diagonal 11.1 mm (Type 2/3) CMOS Image Sensor IMX264
- Active pixels: 2464 (H) x 2056 (V)
- Pixel size: 3.45 x 3.45 μm
- Color sensor
- Global Shutter
- Supports 4-lane or 2-lane MIPI interface
- 4-lane MIPI clock rate: 594 Mbps
- 2-lane MIPI clock rate: 918 Mbps
- Includes a FPGA to convert LVDS to MIPI
- Supports master, slave mode or trigger mode (master mode by default)
- Input clock supplied through connector or on-board oscillator (37.125 MHz) (on-board oscillator by default)
- Connector Part#: 20525-030E-02
- Supports M12 x P0.5 lens
- Weight: ~12 g
- Part#: **LI-IMX264-MIPI-M12**



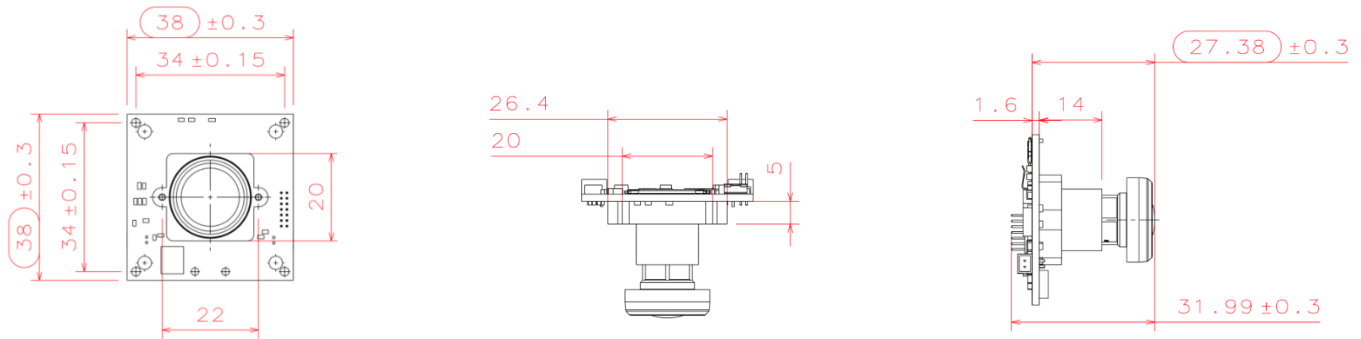
Lens Spec

- Focal Length: 12 mm
- Aperture, F/#: 2.5
- Built in 650 nm IR cut filter
- FOV (H): 37°
- TV Distortion: < -1.2 %
- Mount: M12 x P0.5

Applications

- Industrial Applications
- Intelligent Transportation System (ITS) Cameras

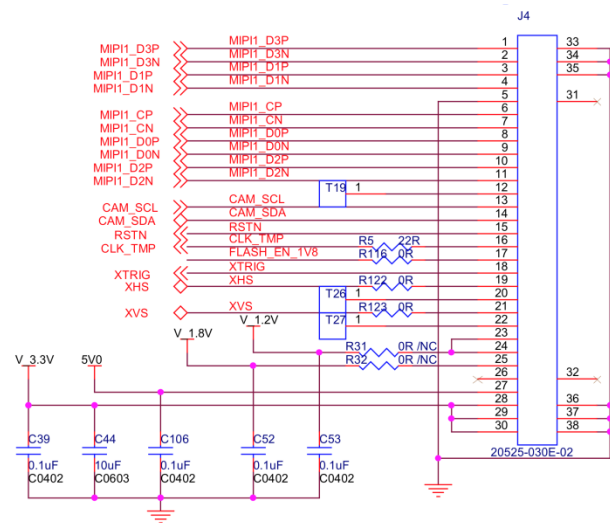
Dimensions



Interfaces

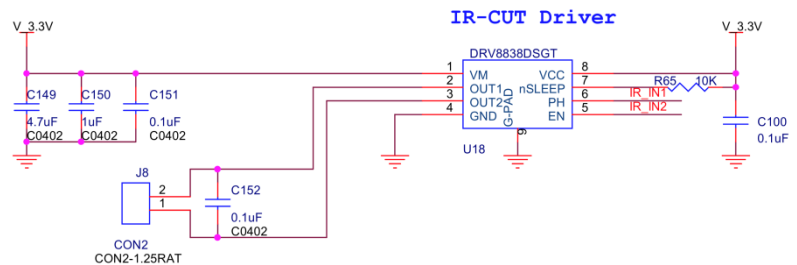
Interface J4:

- Part#: 20525-030E-02
- Number of Positions: 30
- Pitch: 0.4 mm
- Mating I-PEX cable: LI-FAW-1233-T1 (200 mm)



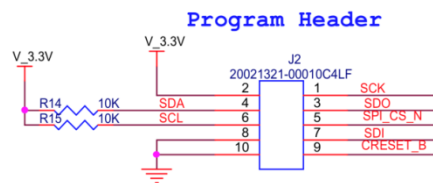
Interface J8:

- Part#: 1734829-2
- Number of Positions: 2
- Pitch: 1.25 mm



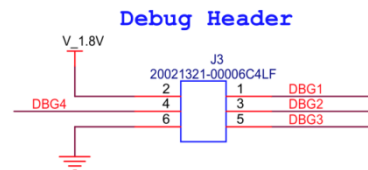
Interface J2:

- Part#: 20021321-00010C4LF
- Number of Positions: 10
- Pitch: 1.27 mm



Interface J3:

- Part#: 20021321-00006C4LF
- Number of Positions: 6
- Pitch: 1.27 mm



Leopard Imaging Inc.

910 Auburn Ct, Fremont, CA 94538, USA

Phone: +1-408-263-0988

Fax: +1-408-217-1960

Email: sales@leopardimaging.com

Website: www.leopardimaging.com

Revision History

Revision	Description	Release Date
1.0	First release.	20. Sep. 2018
1.1	Added more specs.	20. May. 2019
1.2	Deleted info quoted from sensor spec.	26. May. 2022
1.3	Updated board version from V1.0 to V1.1.	30. Sep. 2022

