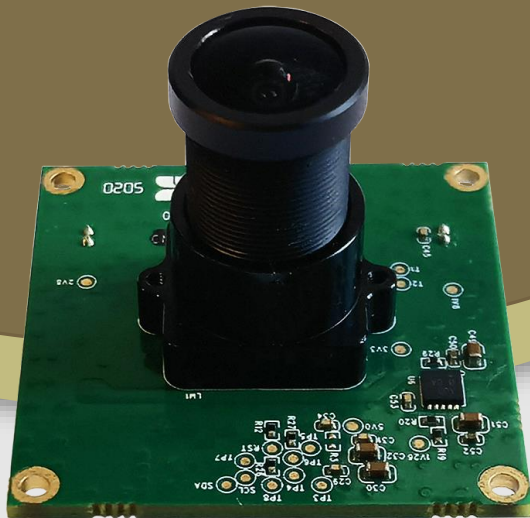




LEOPARD
IMAGING

LI-AR0234CSC-MIPI-M12



Address:

910 Auburn Ct
Fremont, CA 94538
USA



Phone:

+1 (408)263-0988

Fax:

+1 (408)217-1960



Sales:

sales@leopardimaging.com

Support:

support@leopardimaging.com

INTRODUCTION

The LI-AR0234CSC-MIPI-M12 is a MIPI CSI-2 camera equipped with ON Semiconductor 1/2.6-inch 2.3MP CMOS global shutter image sensor AR0234CS. This camera outputs RAW data.

SPECIFICATIONS

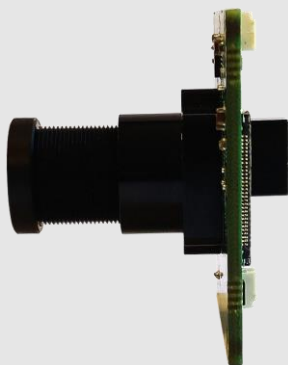
Sensor	ON Semiconductor CMOS Image Sensor AR0234CS
Optical Format	1/2.6"
Resolution	1920 (H) x 1200 (V) (active pixels)
Pixel Size	3.0 x 3.0 μm
Color / Mono	Color sensor
Shutter Type	Global shutter
Output Format	10-bit RAW data
Maximum Frame Rate	120 fps @ Full resolution 120 fps @ 720p
ISP	Not included
Color / Mono	Color sensor
Interface	4-lane MIPI CSI-2
Power Consumption	170 mA @ 5 VDC (1920 x 1080 @ 40 fps)
Operating Temp	TBD
Storage Temp	TBD
Weight	~ 17 g
Part#	LI-AR0234CSC-MIPI-M12

APPLICATIONS

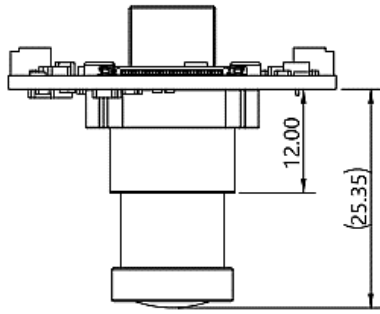
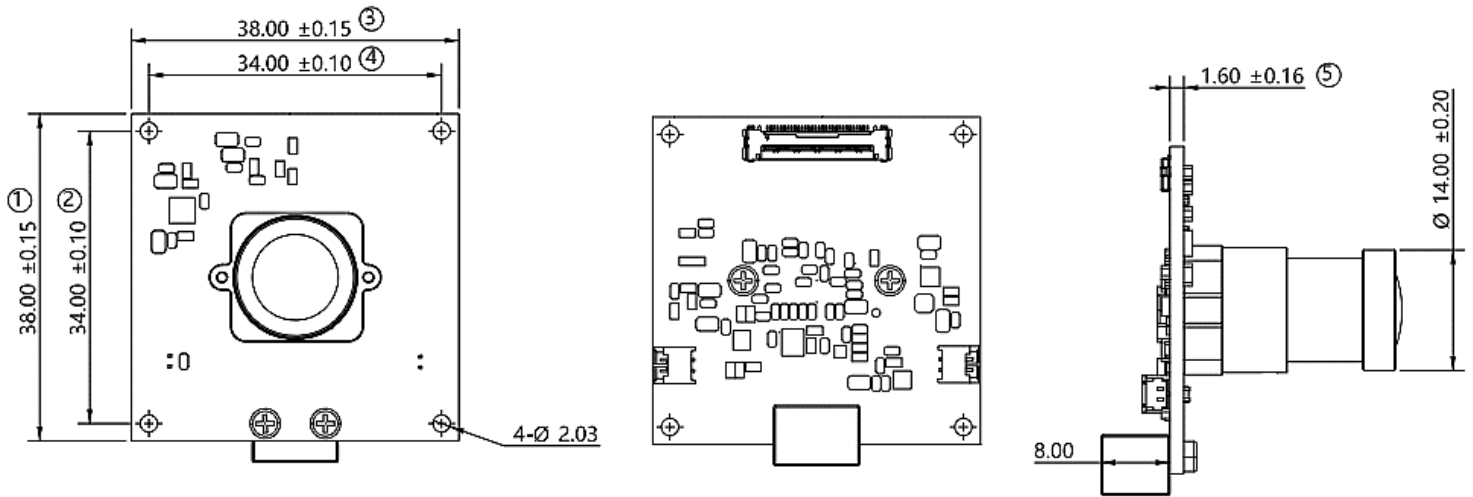
- Surveillance Cameras
- FA Cameras
- Industrial Cameras

LENS SPECIFICATIONS

Effective Focal Length	4.52 mm \pm 5%
Aperture, F/#	2.0 \pm 5%
Field of View (FOV)	73° horizontal
TV Distortion	-10.70%
Relative Illumination	62.0%
IR Filter	650 nm IR cut filter
Lens Mount	M12 x P0.5



DIMENSIONS



TOLERANCE TABLE					
LENGTH TOLERANCE		CHAMFER TOLERANCE		ANGLE TOLERANCE	
Size X	Tolerance	Size X	Tolerance	Size X	Tolerance
$0.5 < X \leq 3$	± 0.1	$0.5 < X \leq 3$	± 0.2	$X \leq 10$	$\pm 1^\circ$
$3 < X \leq 6$	± 0.1	$3 < X \leq 6$	± 0.5	$10 < X \leq 50$	$\pm 30'$
$6 < X \leq 30$	± 0.2	$6 < X \leq 30$	± 1	$50 < X \leq 120$	$\pm 20'$
$30 < X \leq 120$	± 0.3	$X > 30$	± 2	$120 < X \leq 400$	$\pm 10'$
$120 < X \leq 400$	± 0.5			$X > 400$	$\pm 5'$
$400 < X \leq 1000$	± 0.8				
$X > 1000$	± 1.2				

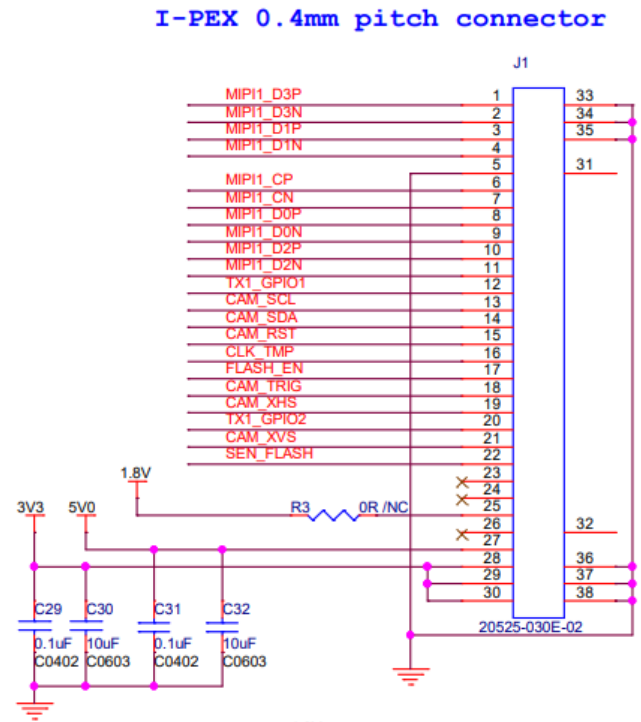
NOTE:

- \otimes marked are important sizes.
- Tolerances for the unmarked – refer to the Tolerance table.
- All materials are compliant with RoHS requirements.

Unit: mm

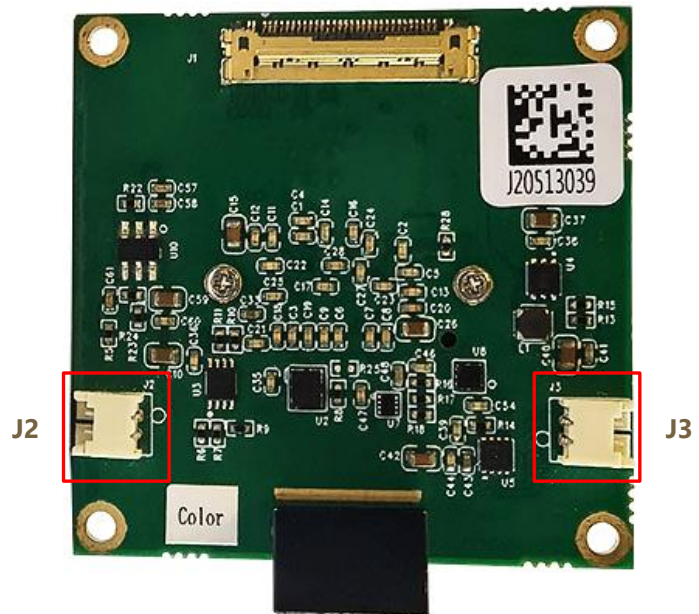
INTERFACE J1

- Connector Part#: 20525-030E-02
- Number of Positions: 30
- Pitch: 0.4 mm
- Mating I-PEX Cable: FAW-1233
- Sensor I2C Address: 0x10 (7-bit)
- External Power Supply: 3.3V, 5.0V
- 2V8, 1V8, 1V2 are generated from board.



INTERFACE J3 & J2

Interfaces	Description
J3 for IR-Cut switcher	<ul style="list-style-type: none"> ■ Part#: 1734829-2 ■ Number of Positions: 2 ■ Pitch: 1.25 mm
J2 for Flash_EN	<ul style="list-style-type: none"> ■ Part#: 1734829-2 ■ Number of Positions: 2 ■ Pitch: 1.25 mm



● REVISION HISTORY

Revision	Description	Release Date
1.0	First release.	25 Dec 2019
1.1	Deleted info quoted from sensor spec.	26 May 2022
1.2	Deleted lens model info.	21 Jul 2023
1.3	1. Updated lens and related product pics and 2D. 2. Updated interface J1, J2 and J3.	06 Dec 2023

910 Auburn Ct, Fremont, CA 94538, USA

Phone: +1-408-263-0988

Fax: +1-408-217-1960

Email: sales@leopardimaging.com

Website: www.leopardimaging.com

