



LEOPARD
IMAGING

LI-AR0234CS-GMSL2-OWL



Address:

910 Auburn Ct
Fremont, CA 94538
USA



Phone:

+1 (408)263-0988

Fax:

+1 (408)217-1960



Sales:

sales@leopardimaging.com

Support:

support@leopardimaging.com

INTRODUCTION

The LI-AR0234CS-GMSL2-OWL is equipped with ON Semiconductor CMOS 2.3MP digital image sensor AR0234CS, capable of producing clear, low noise images in both low-light and bright scenes. This camera outputs 1920 x 1200 RAW data.

SPECIFICATIONS

Sensor	ON Semiconductor CMOS 2.3MP Image Sensor AR0234CS
Optical Format	1/2.6"
Resolution	1920 (H) x 1200 (V) (active pixels)
Pixel Size	3.0 x 3.0 μm
Output Format	10-bit RAW
Color / Mono	Color sensor
Frame Rate	120 fps @ full resolution
Shutter	Global shutter
Serializer	Maxim MAX9295A/B
Power Supply Range	9 ~ 19 VDC
IP Rating	IP65
FAKRA Connector	FAKRA Z TYPE
Power Consumption	70 mA @ 12 VDC
Operating Temp	-20°C ~ +50°C
Storage Temp	-20°C ~ +50°C
Weight	~ 37 g
Part#	LI-AR0234CS-GMSL2-OWL

APPLICATIONS

- Bar Code Scanner
- Gesture Recognition
- 3D Scanning
- Positional Tracking
- Iris Scanning
- Augmented Reality
- Virtual Reality
- Biometrics
- Machine Vision

CERTIFICATION

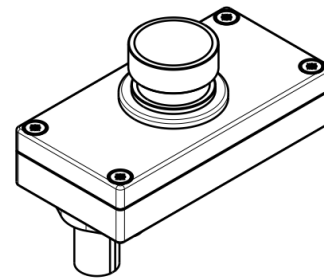
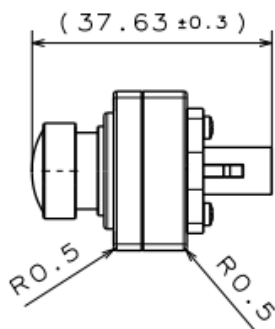
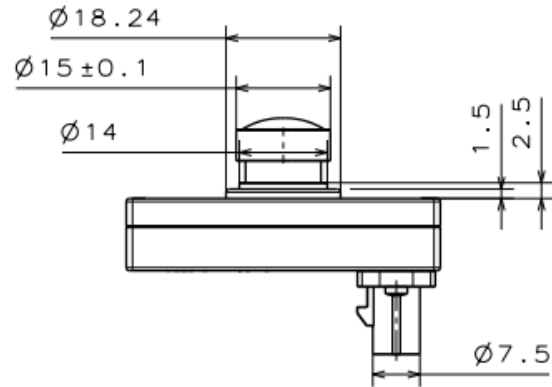
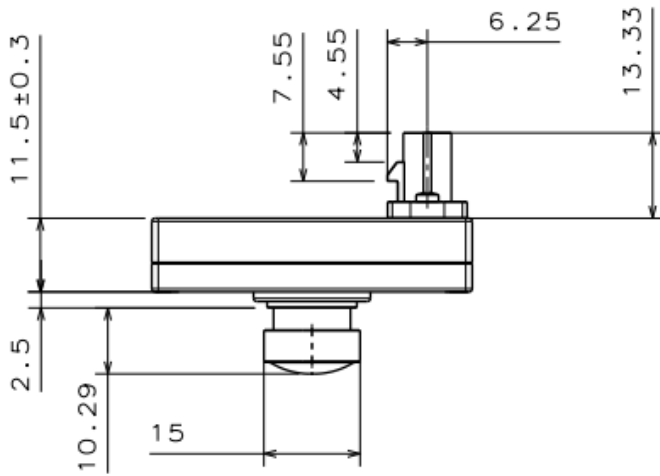
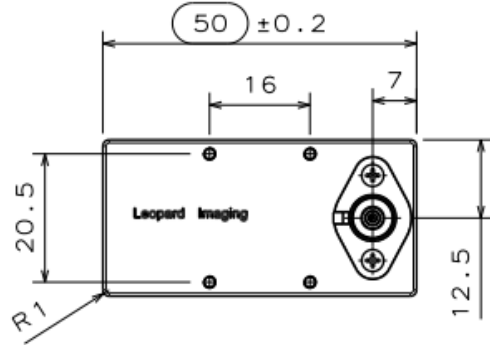
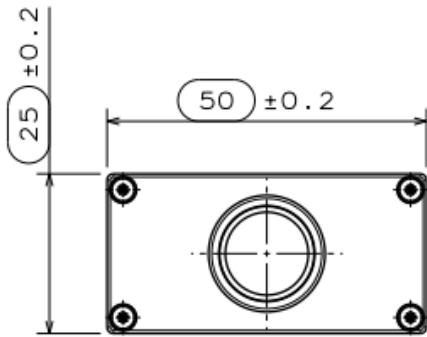
- FCC
- CE

LENS SPECIFICATIONS


Focal Length	1.34 \pm 5%
Aperture, F/#	2.0 \pm 5%
Field of View (FOV)	202.0° \pm 3° horizontal
	127.2° \pm 2° vertical
IR Filter	650 nm \pm 10 nm IR cut filter
Lens Mount	M12 x 0.5



DIMENSIONS



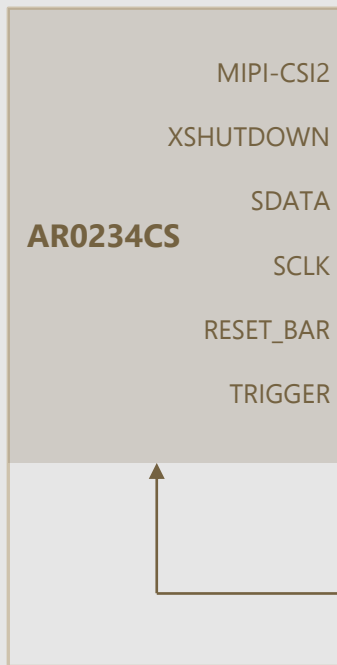
NOTE:

-  marked are important sizes.
- All materials are compliant with RoHS requirements.
- Tolerances for others unmarked are ± 0.3 mm.

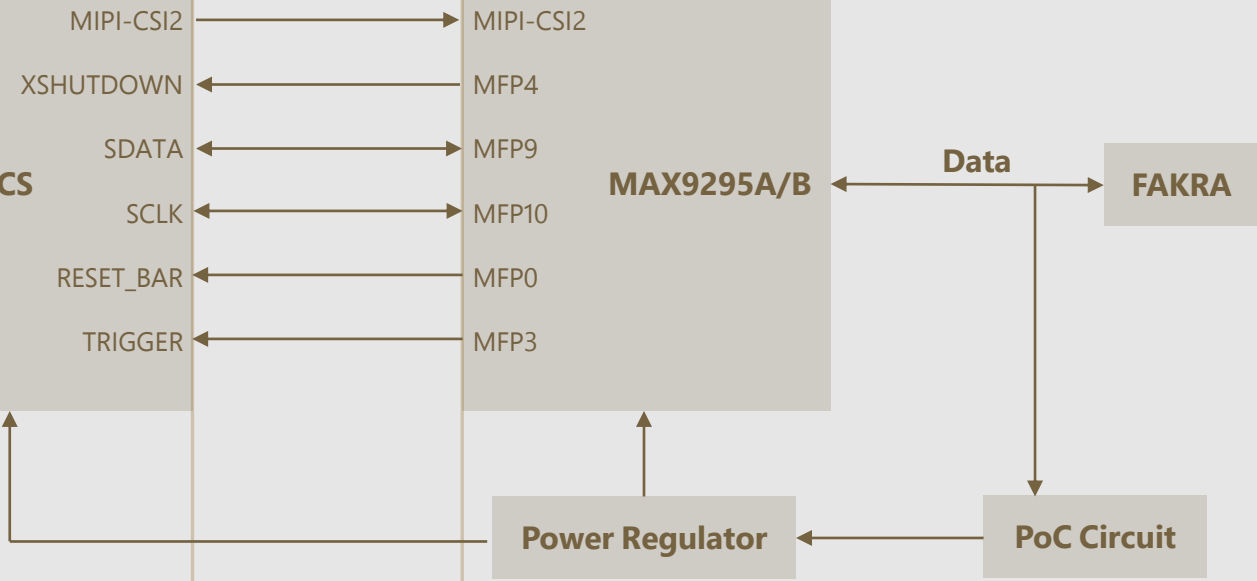
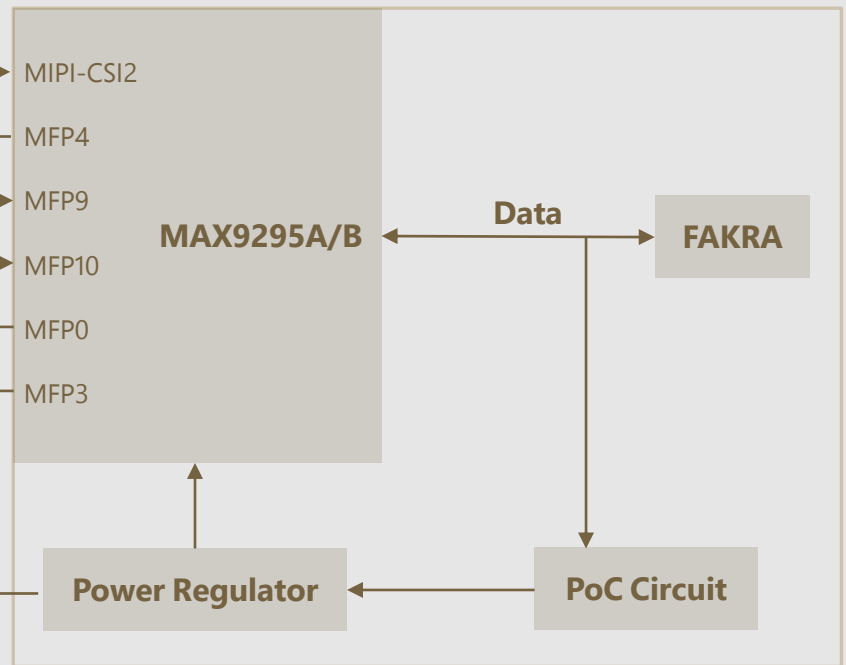
Unit: mm

PINOUT CONNECTIONS

(I2C: 0x30 8-bit)



(I2C: 0x80 8-bit)

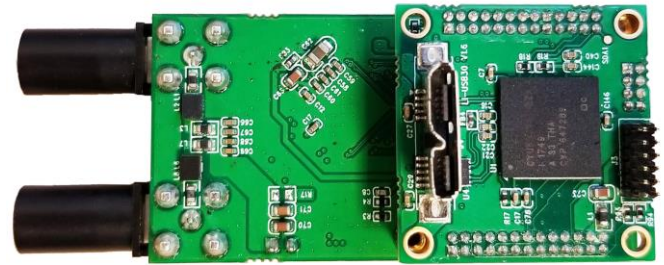


USB3.0 CAMERA KIT

LI-GMSL2-USB



Top View



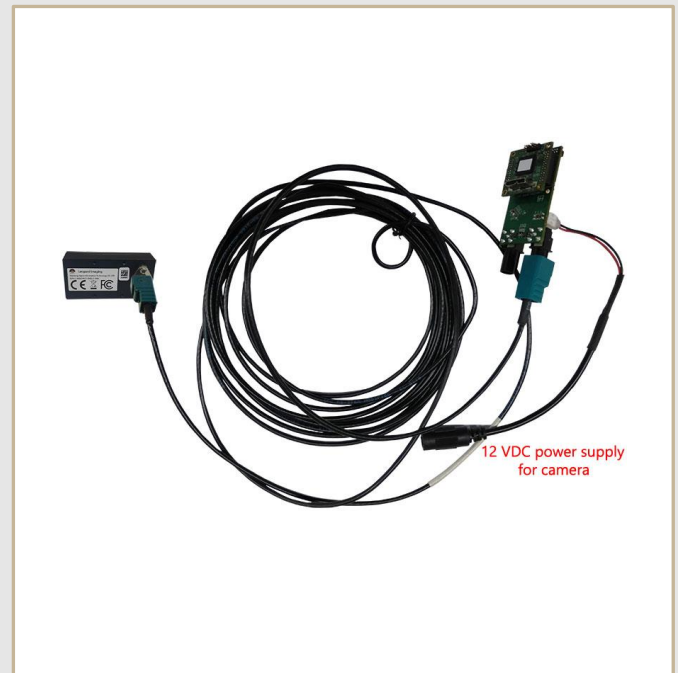
Bottom View

LI-AR0234CS-GMSL2-OWL can connect to LI-GMSL2-USB as a USB 3.0 camera.

Part#: **LI-USB30-AR0234CS-GMSL2-OWL**

SPECIFICATIONS

- USB 3.0 Super Speed support
- UVC compliant
- Global shutter
- Allows customization
- 12 VDC power supply for camera
- Weight: ~ 104 g
- Single Coax Cable transmits up to 12 meters PoC (Power over Cable)
- Resolution: 1920 x 1200 @ 30 fps
- Compatible with Windows, Linux OS and other OS which have UVC drivers



BOM

#	Items	QTY
1	LI-AR0234CS-GMSL2-OWL	1
2	LI-GMSL2-USB	1
3	3-Meter Fakra Cable	1
4	12 VDC Power Supply	1
5	USB3.0 Cable	1

SDK SUPPORTED

- Camera Tool Source Code in C#
- Capture & Display
- Register Access Function

REVISION HISTORY

Revision	Description	Release Date
1.0	First release.	20 May 2021
1.1	<ol style="list-style-type: none">1. Replaced 3D images with actual product pictures.2. Updated storage temp.3. Added IP rating.	16 May 2023
1.2	<ol style="list-style-type: none">1. Added "Certification" section.2. Replaced block diagram with Pinout Connections.	01 Nov 2023

910 Auburn Ct, Fremont, CA 94538, USA

Phone: +1-408-263-0988

Fax: +1-408-217-1960

Email: sales@leopardimaging.com

Website: www.leopardimaging.com

