



**LEOPARD**  
IMAGING

# LI-AR0231-GMSL2-CFM-200H-110



**Address:**

910 Auburn Ct  
Fremont, CA 94538  
USA



**Phone:**

+1 (408)263-0988

**Fax:**

+1 (408)217-1960



**Sales:**

[sales@leopardimaging.com](mailto:sales@leopardimaging.com)

**Support:**

[support@leopardimaging.com](mailto:support@leopardimaging.com)

## INTRODUCTION

The LI-AR0231-GMSL2-CFM-200H-110 is equipped with ON Semiconductor 1/2.7" 2.3MP CMOS image sensor AR0231, AP0200 ISP and Maxim GMSL2 serializer MAX9295A. This camera outputs YUV data without compression.

## KEY FEATURES

Sensor	ON SEMI 2.3MP RCCB Sensor AR0231
Optical Format	1/2.7"
Maximum Resolution	1920 (H) x 1024 (V)
Compatible Platform	Qualcomm SA8155
Pixel Size	3.0 x 3.0 $\mu\text{m}$
Data Format	YUV output without compression
Color / Mono	Color sensor
Maximum Frame Rate	28.7 fps
ISP	ON SEMI AP0200
IMU	No
Serializer	Maxim MAX9295A
Power	9 ~ 19 VDC @ < 2W
Connector	FAKRA Z TYPE
IP Rating	TBD
Operating Temp	-40°C ~ +85°C
Storage Temp	-40°C ~ +85°C
Dimensions	30.0 (L) x 30.0 (W) mm
Weight	~ 49 g
Part#	LI-AR0231-GMSL2-CFM-200H-110

## APPLICATIONS

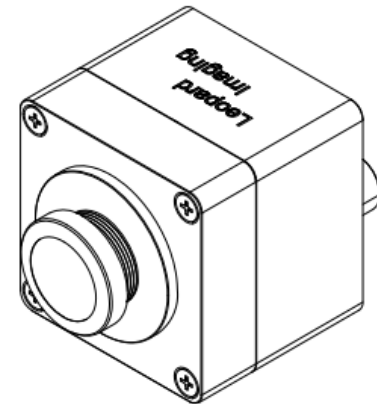
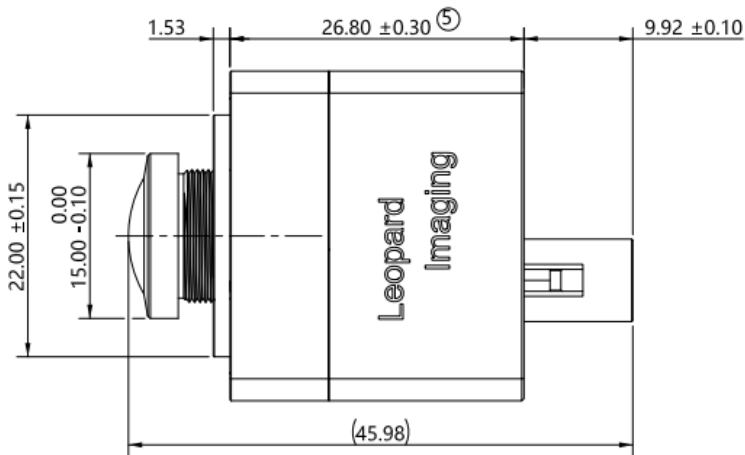
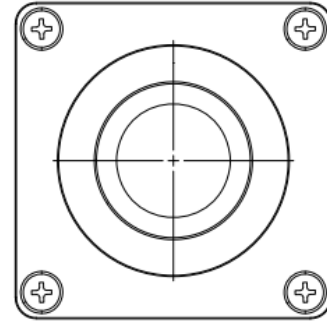
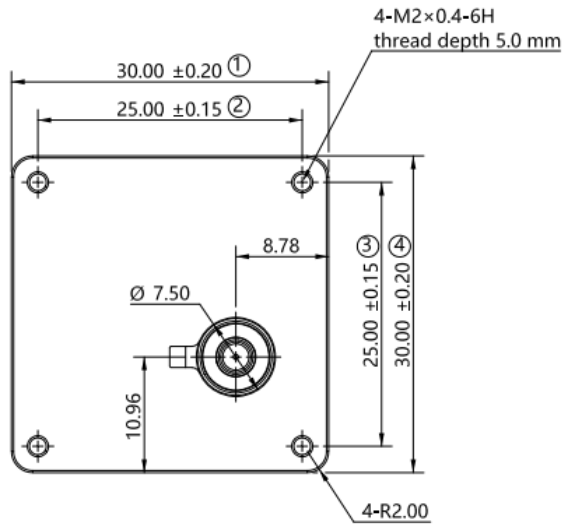
- Automotive ADAS
- 1080p30 Video Applications
- ADAS + Viewing Fusion

## LENS SPECIFICATION

Effective Focal Length	0.95 mm $\pm$ 5%
Aperture, F/#	2.0 $\pm$ 5%
Field of View (FOV)	200° horizontal
F-theta Distortion	< +18.1% (3.864 mm)
Relative Illumination	> 30% (HFOV)
IR Filter	650 nm IR cut filter
Lens Mount	M12 x 0.5



# DIMENSIONS

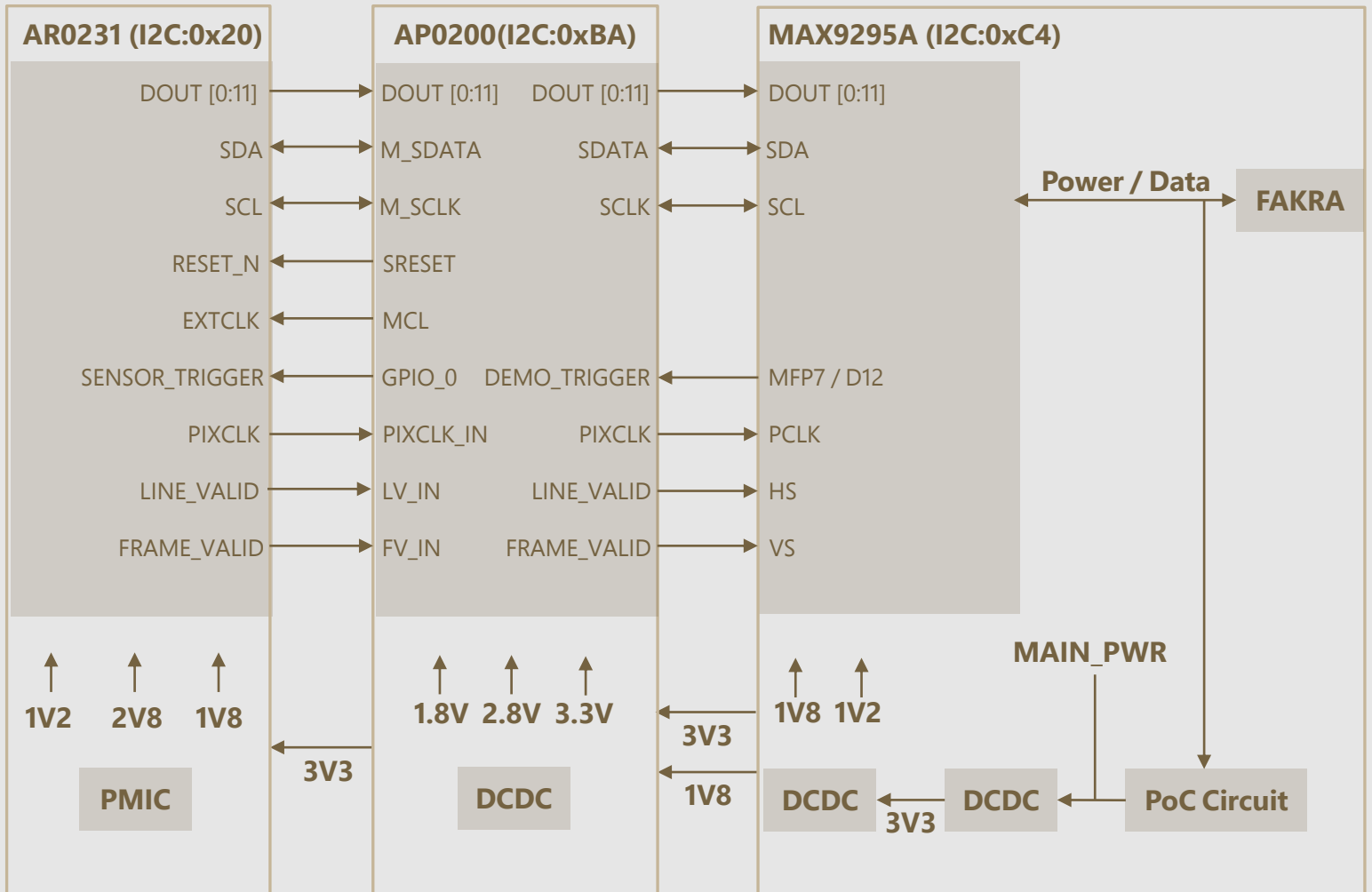


**NOTE:**

- ⊗ marked are important sizes.
- Tolerances for others unmarked are  $\pm 0.3$  mm.

Unit: mm

# PINOUT CONNECTIONS



- REVISION HISTORY

Revision	Description	Release Date
0.1	Initial draft.	17 Jul 2023

910 Auburn Ct, Fremont, CA 94538, USA

Phone: +1-408-263-0988

Fax: +1-408-217-1960

Email: [sales@leopardimaging.com](mailto:sales@leopardimaging.com)

Website: [www.leopardimaging.com](http://www.leopardimaging.com)

