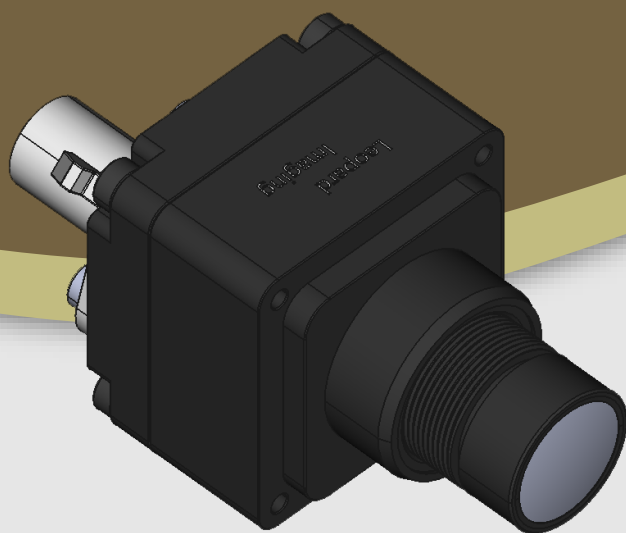




LEOPARD
IMAGING

LI-VENUS-IMX623-FP4-100H-R1



Address:

910 Auburn Ct,
Fremont, CA 94538
USA



Phone:

+1 (408)263-0988

Fax:

+1 (408)217-1960



Sales:

sales@leopardimaging.com

Support:

support@leopardimaging.com

INTRODUCTION

The LI-VENUS-IMX623-FP4-100H-R1 is equipped with Sony diagonal 7.45 mm (Type 1/2.42) CMOS solid-state RGGB image sensor IMX623 and FPD-Link IV serializer TI971. This camera outputs RAW data.

SPECIFICATIONS

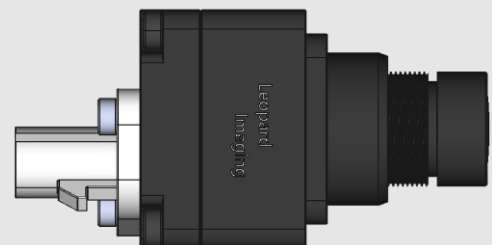
Sensor	Sony Diagonal 7.45 mm CMOS Solid-State RGGB Sensor IMX623
Optical Format	1/2.42"
Resolution	1937 (H) x 1553 (V) (active pixels)
Pixel Size	3.0 x 3.0 μm
Output Format	12-bit / 14-bit / 16-bit / 20-bit / 24-bit RAW
Color / Mono	Color sensor
Maximum Frame Rate	60 fps @ 1936 x 1556
HDR (High Dynamic Range)	Supported
LFM (LED Flicker Mitigation)	Supported
Serializer	TI971 FPD-Link IV (DS90UB971-Q1)
Power Supply Range	8 ~ 17 VDC
Connector	FAKRA Z TYPE
IP Rating	TBD
Power Consumption	111 mA@12 VDC (1920 x 1552 @ 30 fps)
Operating Temp	TBD
Storage Temp	TBD
Weight	TBD
Part#	LI-VENUS-IMX623-FP4-100H-R1

APPLICATIONS

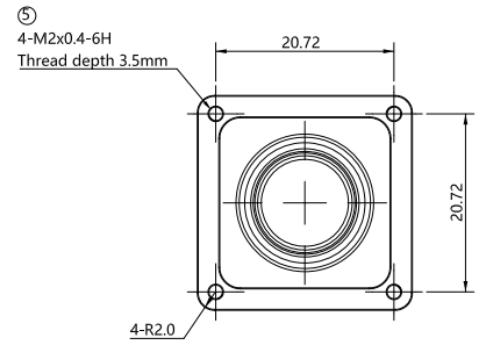
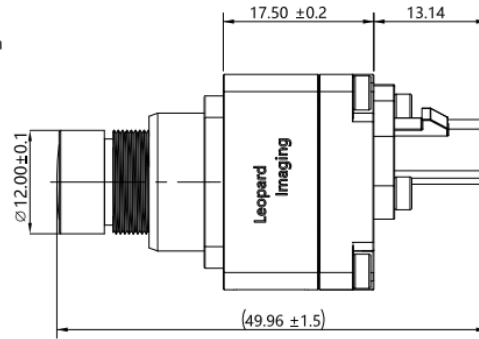
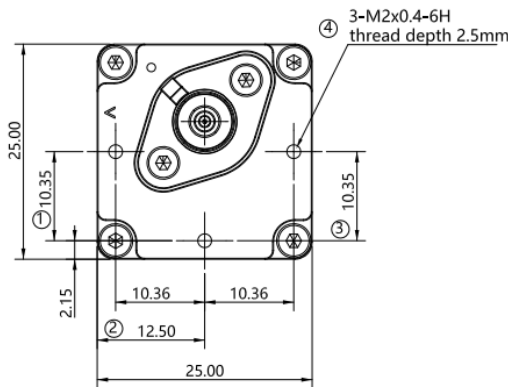
- Automotive
 - ◆ Autonomous Driving
 - ◆ Assisted Driving
 - ◆ Digital Video Recording
 - ◆ Machine Vision

LENS SPECIFICATIONS

Effective Focal Length	3.55 mm \pm 5%
Aperture, F/#	1.6 \pm 5%
Field of View (FOV)	100° horizontal
Optical Distortion	-50.6%
Relative Illumination	\geq 50%
IR Filter	650 nm IR cut filter
Lens Mount	M12 x P0.5



DIMENSIONS



TOLERANCE TABLE					
LENGTH TOLERANCE		CHAMFER TOLERANCE		ANGLE TOLERANCE	
Size X	Tolerance	Size X	Tolerance	Size X	Tolerance
0.5 < X ≤ 3	±0.1	0.5 < X ≤ 3	±0.2	X ≤ 10	±1°
3 < X ≤ 6	±0.1	3 < X ≤ 6	±0.5	10 < X ≤ 50	±30'
6 < X ≤ 30	±0.2	6 < X ≤ 30	±1	50 < X ≤ 120	±20'
30 < X ≤ 120	±0.3			120 < X ≤ 400	±10'
120 < X ≤ 400	±0.5				
400 < X ≤ 1000	±0.8	X > 30	±2	X > 400	±5'
X > 1000	±1.2				

NOTE:

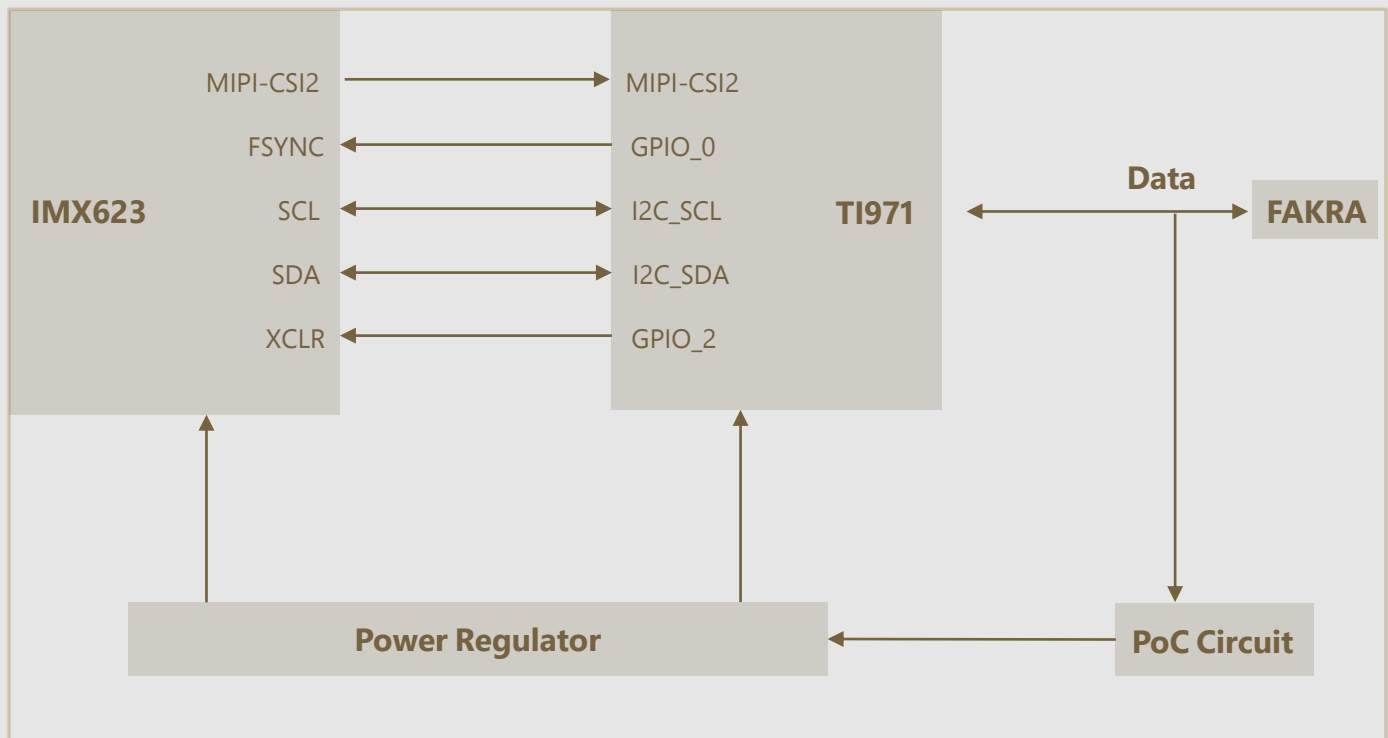
- ⊗ marked are important sizes.
- Tolerances for others unmarked – refer to the Tolerance Table.
- All materials are compliant with RoHS requirements

Unit: mm

SYSTEM BLOCK DIAGRAM

(I2C: 0x34 8-bit)

(I2C: 0x30 8-bit)



USB3.0 CAMERA KIT

LI-FPDLINKIV-USB



Top View



Bottom View

The LI-VENUS-IMX623-FP4-100H-R1 camera can connect to LI-FPDLINKIV-USB as a USB 3.0 camera.

Part#: **LI-USB30-VENUS-IMX623-FP4-100H-R1**

SPECIFICATIONS

- USB 3.0 Super Speed support
- UVC compliant
- Allows customization
- 12 VDC Power Supply for camera
- Weight: TBD
- Single Coax Cable transmits up to 12 meters PoC (Power over Cable)
- Resolution: 1920 x 1552 @ 30 fps
- Power consumption: 111 mA @ 12 VDC
- Compatible with Windows, Linux OS and other OS which have UVC drivers

BOM

#	Items	QTY
1	LI-VENUS-IMX623-FP4-100H-R1	1
2	LI-FPDLINKIV-USB	1
3	3-Meter Fakra Cable	1
4	12 VDC Power Supply	1
5	USB3.0 Cable	1



SDK SUPPORTED

- Camera Tool Source Code in C#
- Capture & Display
- Register Access Function

● REVISION HISTORY

Revision	Description	Release Date
0.1	Initial draft.	22 Aug 2023
0.2	1. Updated Part# from "LI-VENUS-IMX623-FP4-100H" to "LI-VENUS-IMX623-FP4-100H-R1". 2. Updated 3D images.	31 Aug 2023
0.3	1.Updated power consumption. 2.Updated SYSTEM BLOCK DIAGRAM. 3. Added USB3.0 CAMERA KIT.	24 Nov 2023

910 Auburn Ct, Fremont, CA 94538, USA

Phone: +1 (408)263-0988

Fax: +1 (408)217-1960

Email: sales@leopardimaging.com

Website: www.leopardimaging.com

