



**LEOPARD**  
IMAGING

# LI-IMX728-GMSL3-070H



**Address:**

910 Auburn Ct  
Fremont, CA 94538  
USA



**Phone:**

+1 (408)263-0988

**Fax:**

+1 (408)217-1960



**Sales:**

[sales@leopardimaging.com](mailto:sales@leopardimaging.com)

**Support:**

[support@leopardimaging.com](mailto:support@leopardimaging.com)

## INTRODUCTION

The LI-IMX728-GMSL3-070H is equipped with Sony diagonal 9.30 mm 8.39MP CMOS RGGB sensor IMX728 and Maxim GMSL3 serializer. This camera outputs 3857 x 2177 RAW data.

## SPECIFICATIONS

Sensor	Diagonal 9.30 mm 8.39MP CMOS RGGB Sensor IMX728 (ES3)
Optical Format	1/1.72"
Resolution	3857 (H) x 2177 (V) (active pixels)
Pixel Size	2.1 x 2.1 $\mu$ m
Output Format	24-bit / 20-bit / 16-bit / 12-bit / 10-bit RAW data
Maximum Frame Rate	45 fps @ 3857 x 2177
HDR	Supported
Serializer	Maxim GMSL3
Power Supply Range	9 ~ 19 VDC
Connector	FAKRA Z TYPE
IP Rating	TBD
Power Consumption	129 mA @ 12 VDC (3840 x 2160 @ 15 fps)
Operating Temp	-40°C ~ +85°C
Storage Temp	-40°C ~ +85°C
Weight	~ 54 g
Part#	LI-IMX728-GMSL3-070H

## APPLICATIONS

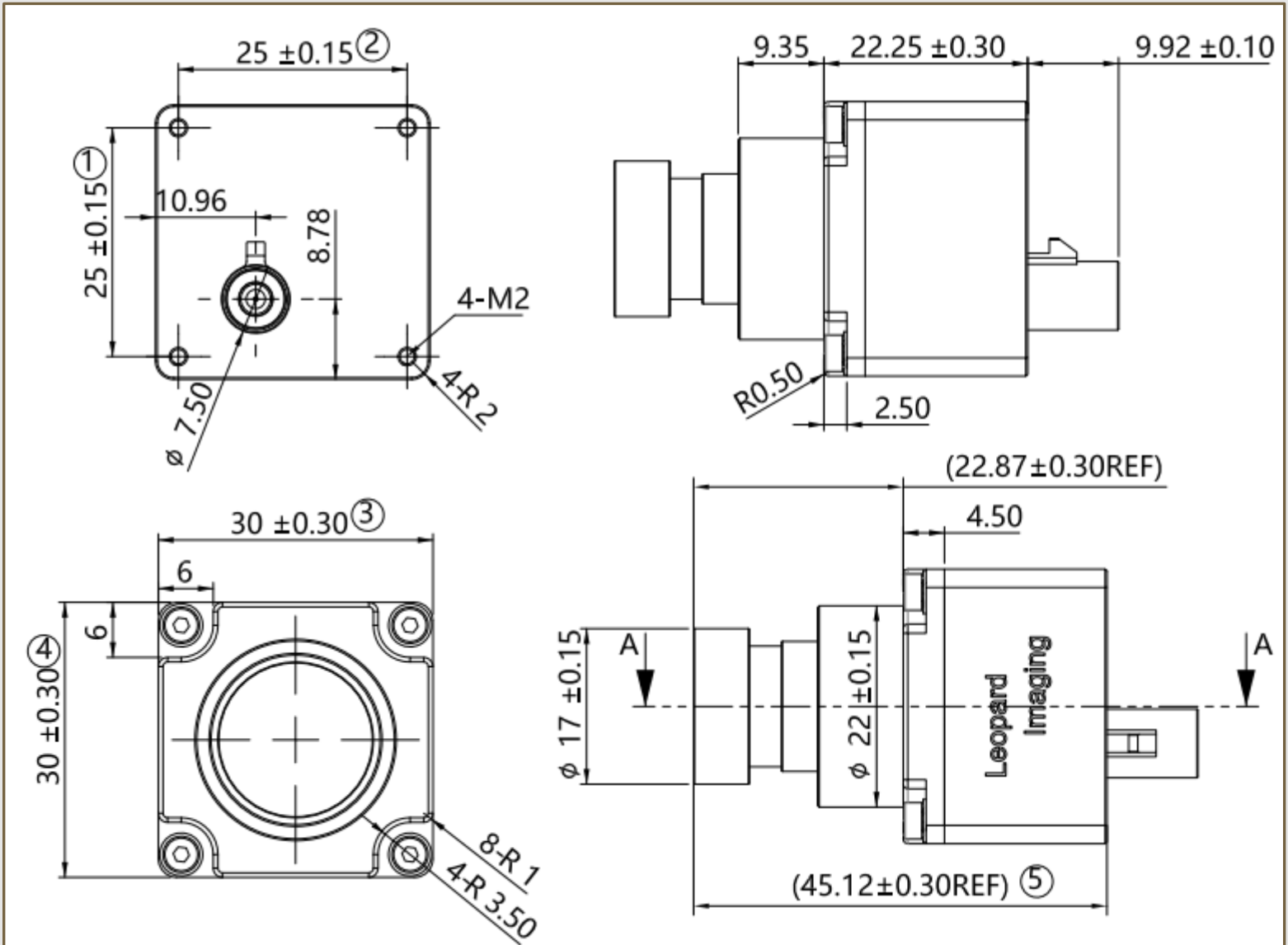
- Automotive
  - ◆ High Resolution Front Viewing
  - ◆ Machine Vision
  - ◆ Autonomous Driving
  - ◆ Assisted Driving
  - ◆ Digital Video Recording

## LENS SPECIFICATIONS

Focal Length	6.7 mm
Aperture, F/#	1.65
Field of View (FOV)	70° horizontal
Distortion	-1.9% f-theta @ 8 mm
IR Cut Filter	660 nm IR cut filter
Lens Mount	M14 x P0.5



## DIMENSIONS

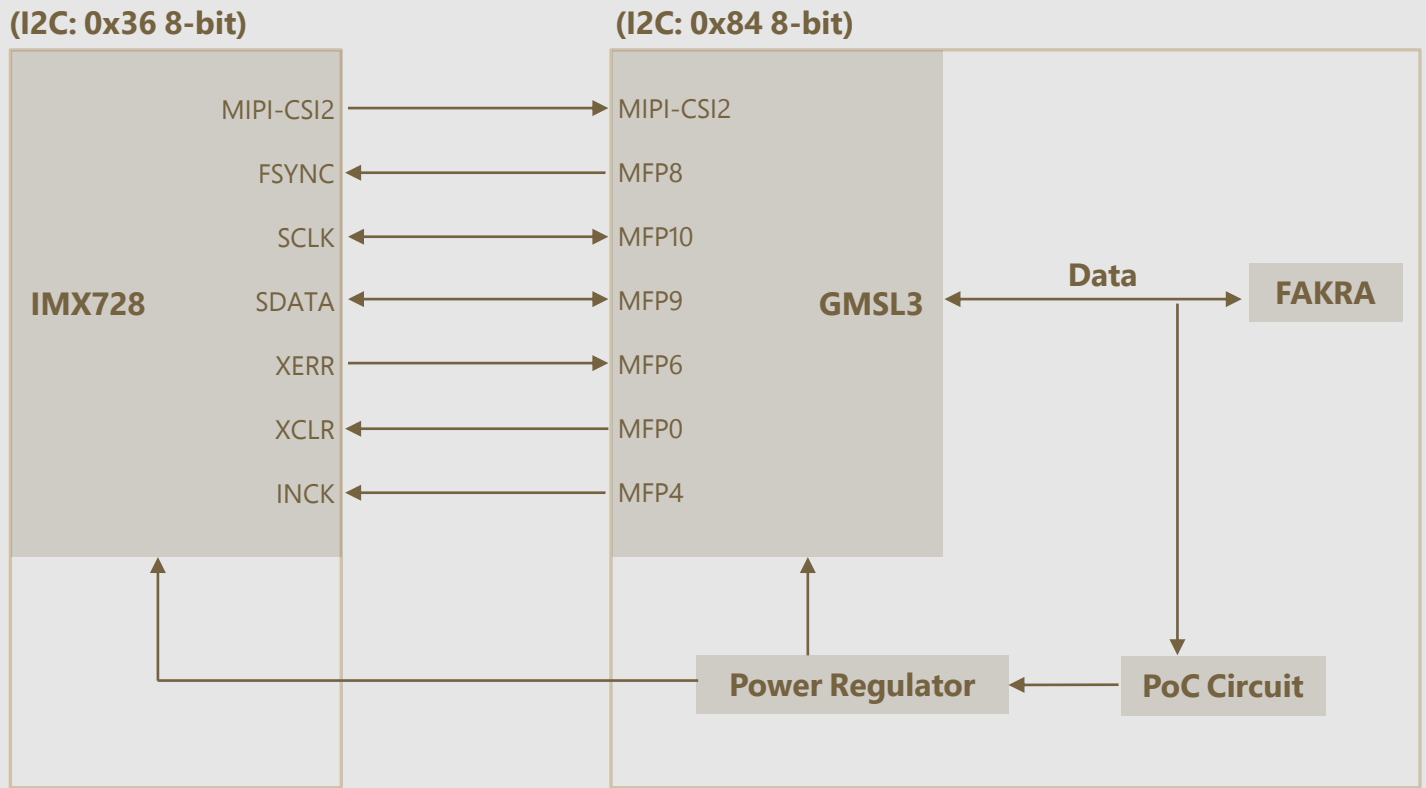


### NOTE:

- $\otimes$  marked are important sizes.
- Tolerances for others unmarked are  $\pm 0.3$  mm.
- All materials are compliant with RoHS requirements.

Unit: mm

## PINOUT CONNECTIONS

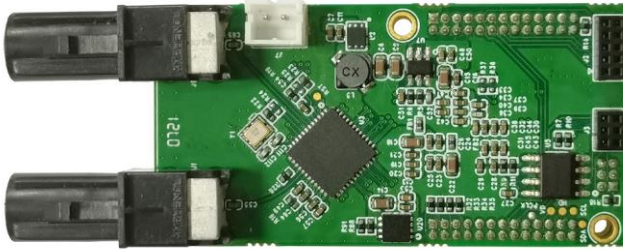


## IMAGE ORIENTATION

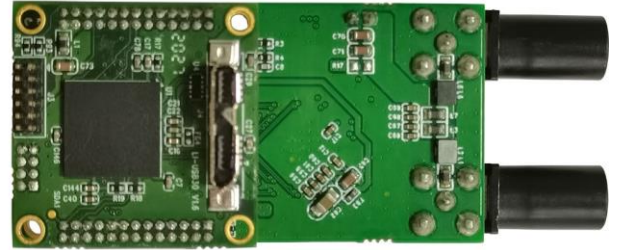


# USB3.0 CAMERA KIT

LI-GMSL3-USB



Top View



Bottom View

LI-IMX728-GMSL3-070H can connect to LI-GMSL3-USB as a USB 3.0 camera.

Part#: **LI-USB30-IMX728-GMSL3-070H**

## SPECIFICATIONS

- USB 3.0 Super Speed support
- UVC compliant
- Allows customization
- 12 VDC Power Supply for camera
- Weight: ~ 209 g
- Single Coax Cable transmits up to 12 meters PoC (Power over Cable)
- Resolution: 3840 x 2160 @ 15 fps
- Power consumption: 129 mA @ 12 VDC
- Compatible with Windows, Linux OS and other OS which have UVC drivers

## BOM

#	Items	QTY
1	LI-IMX728-GMSL3-070H	1
2	LI-GMSL3-USB	1
3	3-Meter Fakra Cable	1
4	12 VDC Power Supply	1
5	USB3.0 Cable	1



## SDK SUPPORTED

- Camera Tool Source Code in C#
- Capture & Display
- Register Access Function

## ● REVISION HISTORY

Revision	Description	Release Date
0.1	Initial draft.	02 Sep 2022
0.2	Updated power consumption, temp info, pinout connections and added imaging direction.	17 Nov 2023

910 Auburn Ct, Fremont, CA 94538, USA

Phone: +1-408-263-0988

Fax: +1-408-217-1960

Email: [sales@leopardimaging.com](mailto:sales@leopardimaging.com)

Website: [www.leopardimaging.com](http://www.leopardimaging.com)

